

Features

- ◇ UL Recognized File # E-326854
- ◇ Glass passivated junction
- ◇ Ideal for printed circuit board
- ◇ Reliable low cost construction utilizing molded plastic technique
- ◇ High surge current capability
- ◇ High temperature soldering guaranteed:
260°C/10 seconds
- ◇ Small size, simple installation
- ◇ Green compound with suffix "G" on packing code & prefix "G" on datecode



Mechanical Data

- ◇ Case: Molded plastic body
- ◇ Terminal: Pure tin plated, lead free, Leads solderable per MIL-STD-202 Method 208
- ◇ Mounting position : as Marking
- ◇ Weight: 0.12 grams

Ordering Information (example)

Part No.	Package	Packing	Packing code	Packing code (Green)
ABS2	ABS	1K / 7" REEL	RE	REG

Maximum Ratings and Electrical Characteristics

Rating at 25 °C ambient temperature unless otherwise specified.

Parameter	Symbol	ABS2	ABS4	ABS6	ABS8	ABS10	Unit
Maximum Repetitive Peak Reverse Voltage	V_{RRM}	200	400	600	800	1000	V
Maximum RMS Voltage	V_{RMS}	140	280	420	560	700	V
Maximum DC Blocking Voltage	V_{DC}	200	400	600	800	1000	V
Maximum Average Forward Rectified Current On glass-epoxy On aluminum substrate	$I_{F(AV)}$			0.8 1.0			A
Peak Forward Surge Current, 8.3 ms Single Half Sine-wave Superimposed on Rated Load (JEDEC method)	I_{FSM}			30			A
Maximum Instantaneous Forward Voltage (Note 1) @ 0.4A	V_F			0.95			V
Rating for fusing (t<8.3mS)	I^2T			3.74			A ² sec
Maximum DC Reverse Current at Rated DC Blocking Voltage	I_R			10 150			uA
Typical Thermal Resistance	$R_{\theta JL}$ $R_{\theta JA}$			25 80			°C/W
Operating Temperature Range	T_J			- 55 to + 150			°C
Storage Temperature Range	T_{STG}			- 55 to + 150			°C

Note 1: Pulse Test with PW=300 usec, 1% Duty Cycle

RATINGS AND CHARACTERISTIC CURVES (ABS2 THRU ABS10)

FIG.1 MAXIMUM FORWARD CURRENT DERATING CURVE

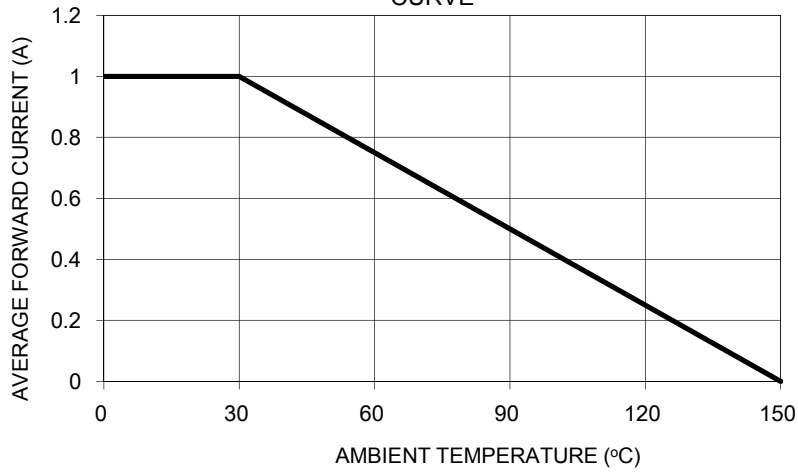


FIG. 2 TYPICAL REVERSE CHARACTERISTICS

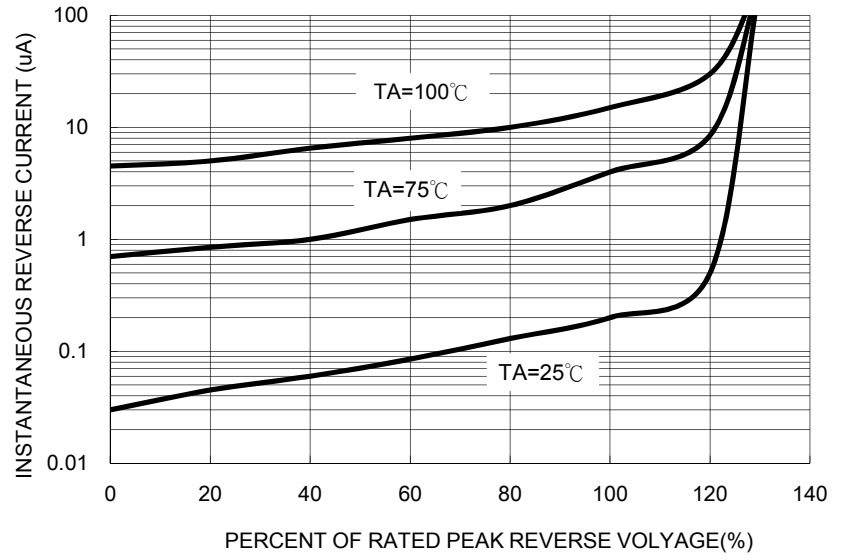


FIG. 3 MAXIMUM NON-REPETITIVE FORWARD SURGE CURRENT

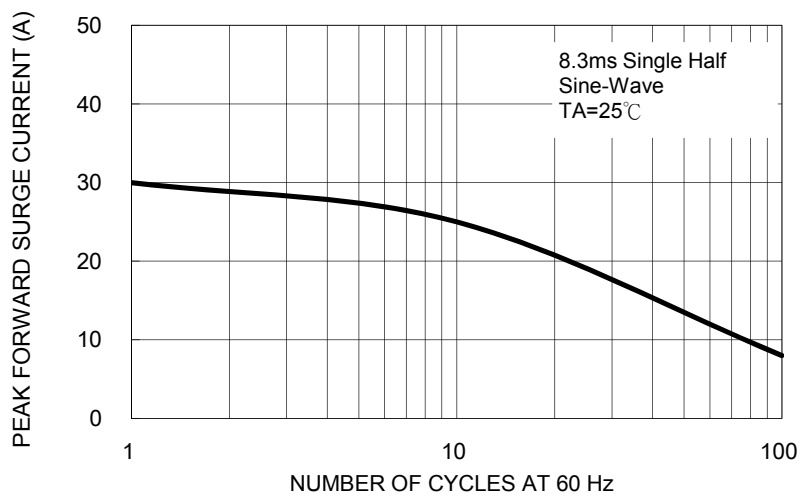


FIG. 4 TYPICAL JUNCTION CAPACITANCE

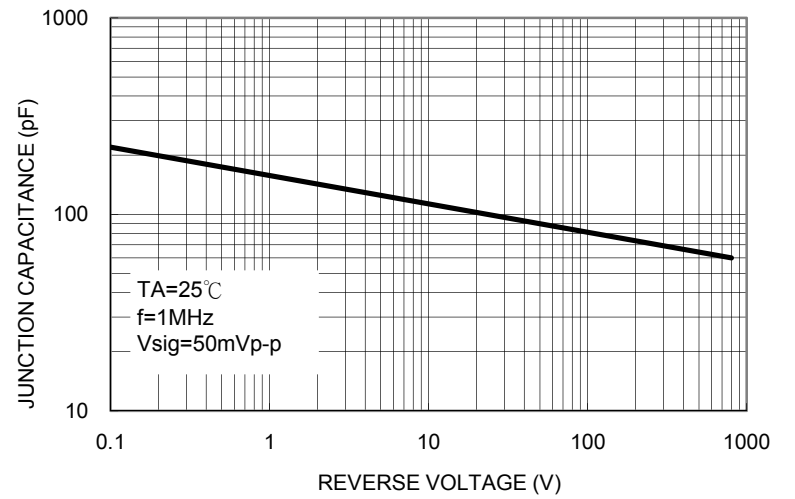
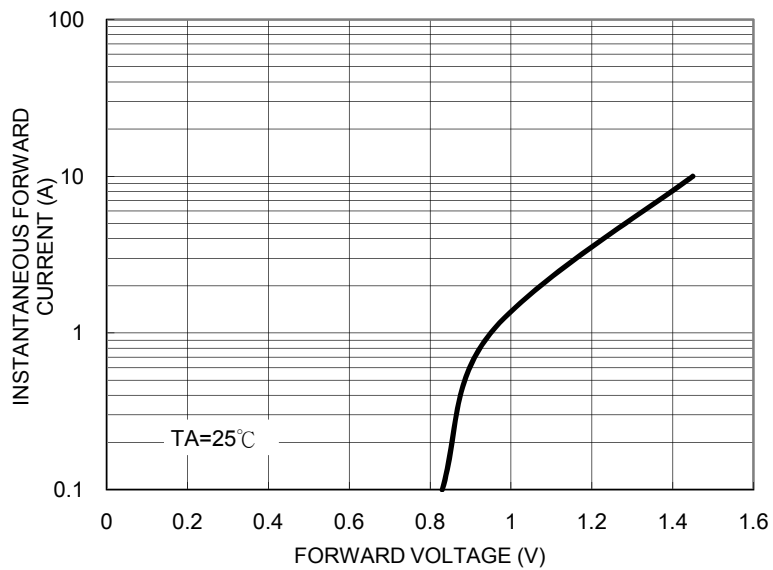


FIG. 5 TYPICAL FORWARD CHARACTERISTIC

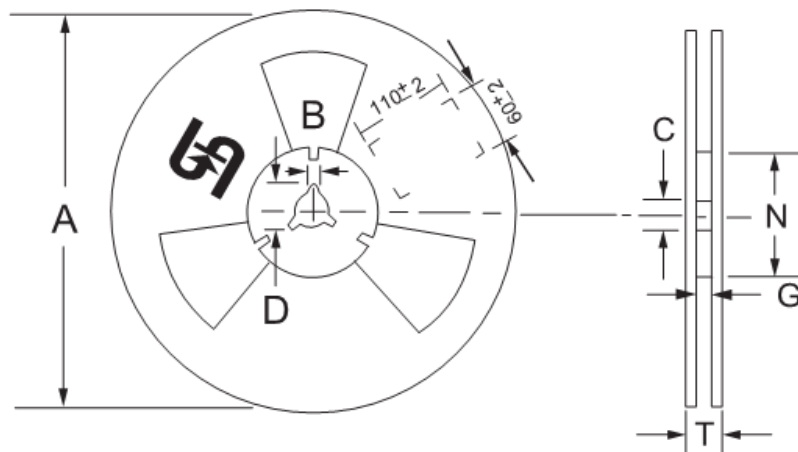
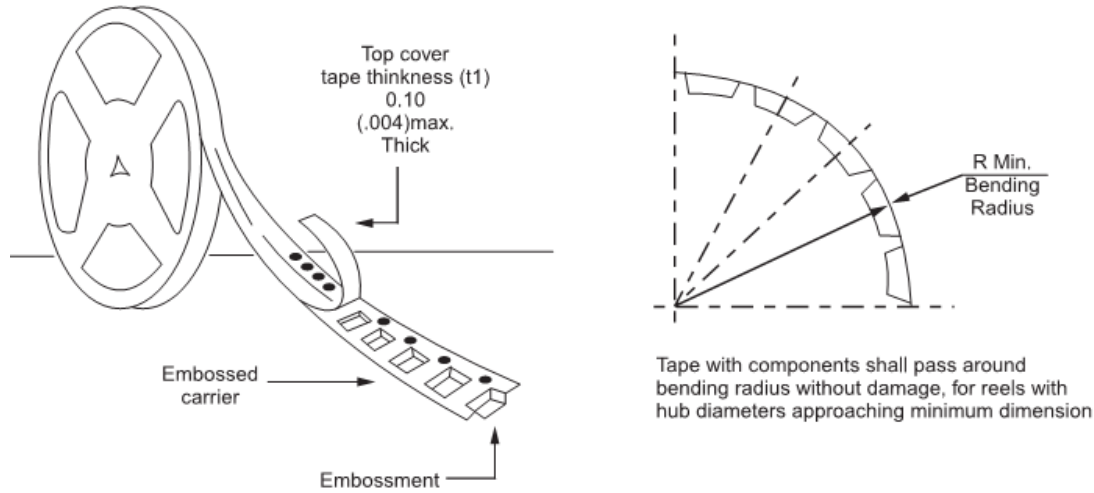


Ordering information

Part No.	Package	Packing	Packing code	Packing code (Green)
ABSx (Note)	ABS	1K / 7" REEL	RE	REG
	ABS	5K / 13" REEL	RG	RGG

Note: "x" is Device Code from "2" thru "10".

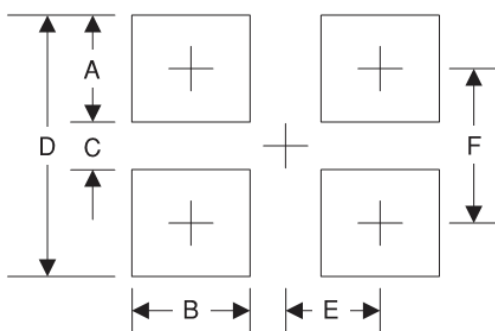
Tape & Reel specification



Reel Size	Tape Size	A	B	C	D	N	G	T
		±2.0	±0.4	+0.5;-0.2	min	±1.0	+0.8;-0	max
7"	12mm	178	1.9	13	21	62	12.2	14.6
Reel Size	Tape Size	A	B	C	D	N	G	T
		max	±0.5	±0.5	min	±0.5	+2.0;-0	max
13"	12mm	330	2	13	20.2	75	12.4	18.4

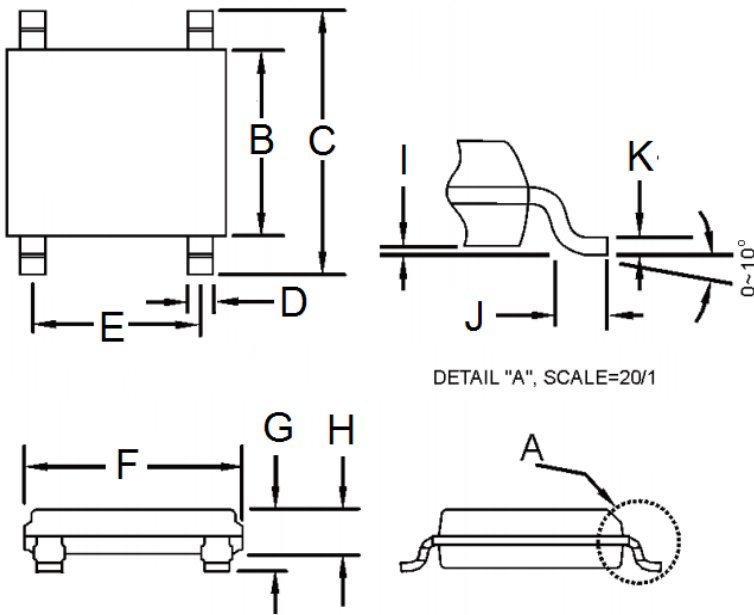
Unit (mm)

Suggested PAD Layout



Symbol	Unit(mm)
A	1.5
B	0.9
C	4.22
D	7.22
E	2.05
F	5.72

Package Outline Dimensions



DIM.	Unit(mm)		Unit(inch)	
	Min	Max	Min	Max
B	4.30	4.50	0.169	0.177
C	6.25	6.65	0.246	0.262
D	0.60	0.70	0.024	0.028
E	3.90	4.10	0.154	0.161
F	4.90	5.10	0.193	0.200
G	1.40	1.60	0.055	0.063
H	1.35	1.45	0.053	0.057
I	0.05	0.15	0.002	0.006
J	0.30	0.70	0.012	0.028
K	0.15	0.25	0.006	0.010

Marking Diagram



P/N = Specific Device Code
 G = Green Compound
 YW = Date Code