

## Features

- Wide 8V to 36V Input Voltage Range
- Output Adjustable from 1.25V to 32V
- Maximum Duty Cycle 100%
- Minimum Drop Out 0.3V
- Fixed 180KHz Switching Frequency
- Maximum 3.5A Switching Current
- Internal Optimize Power MOSFET
- High efficiency
- Excellent line and load regulation
- With output constant current loop
- Built in thermal shutdown function
- Built in current limit function
- Built in output short protection function
- SOP8-EP package

## Applications

- Car Charger
- Battery Charger
- LCD Monitor and LCD TV
- Portable instrument power supply
- Telecom / Networking Equipment

## General Description

The XL2010 is a 180 KHz fixed frequency PWM buck (step-down) DC/DC converter, capable of driving a 3.5A load with high efficiency, low ripple and excellent line and load regulation. Requiring a minimum number of external components, the regulator is simple to use and include internal frequency compensation and a fixed-frequency oscillator.

The PWM control circuit is able to adjust the duty ratio linearly from 0 to 100%. An over current protection function is built inside. When short protection function happens, the operation frequency will be reduced from 180KHz to 48KHz. An internal compensation block is built in to minimize external component count.

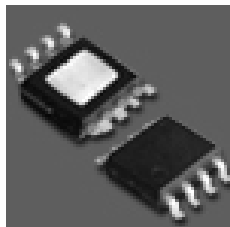


Figure1. Package Type of XL2010

**Pin Configurations**

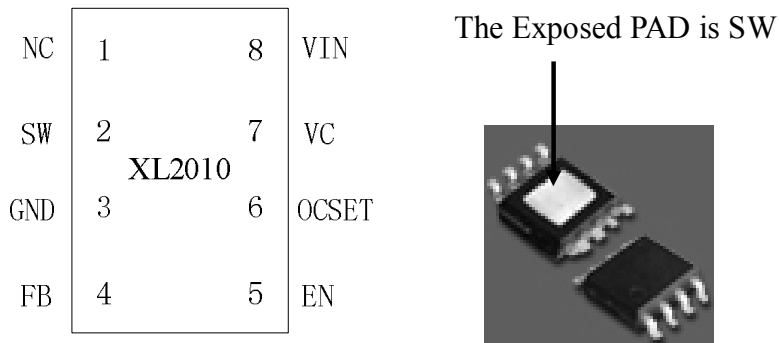


Figure2. Pin Configuration of XL2010 (Top View)

Table 1 Pin Description

Pin Number	Pin Name	Description
1	NC	No Connected.
2	SW	Power Switch Output Pin (SW). SW is the switch node that supplies power to the output. (Note: <b>Connected the back exposed PAD to SW.</b> )
3	GND	Ground Pin. Care must be taken in layout. This pin should be placed outside of the Schottky Diode to output capacitor ground path to prevent switching current spikes from inducing voltage noise into XL2010.
4	FB	Feedback Pin (FB). Through an external resistor divider network, FB senses the output voltage and regulates it. The feedback threshold voltage is 1.25V.
5	EN	Enable Pin. Drive EN pin low to turn off the device, drive it high to turn it on.
6	OCSET	Output Constant Current Set Pin.
7	VC	Internal Voltage Regulator Bypass Capacity. In typical system application, The VC pin connect a 1uf capacity to VIN.
8	VIN	Supply Voltage Input Pin. XL2010 operates from a 8V to 36V DC voltage. Bypass Vin to GND with a suitably large capacitor to eliminate noise on the input.

**Function Block**

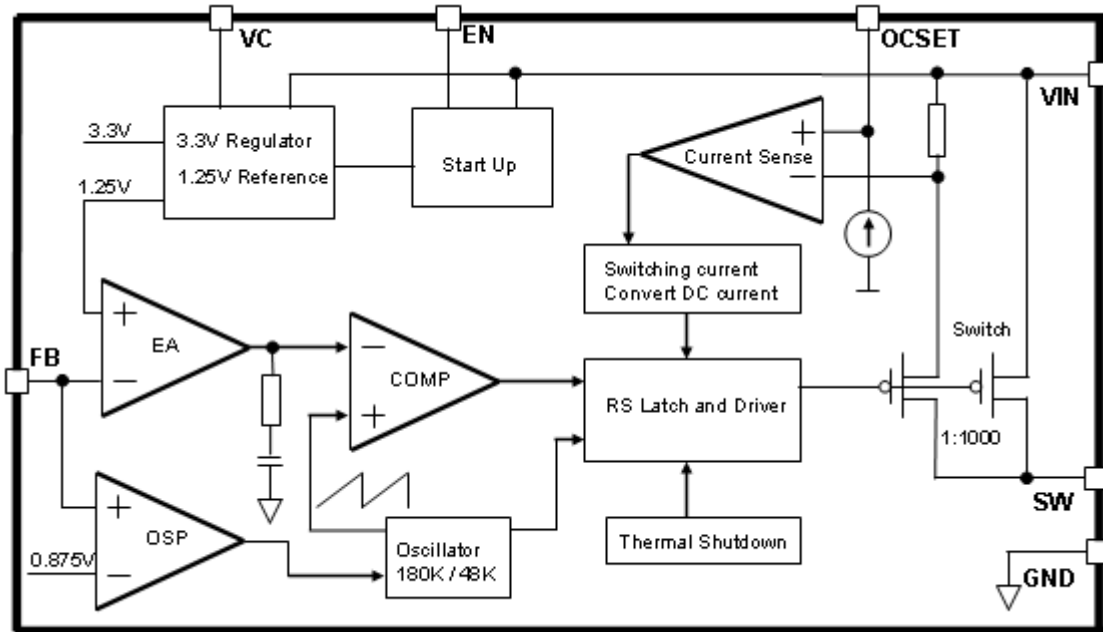


Figure3. Function Block Diagram of XL2010

**Typical Application Circuit**

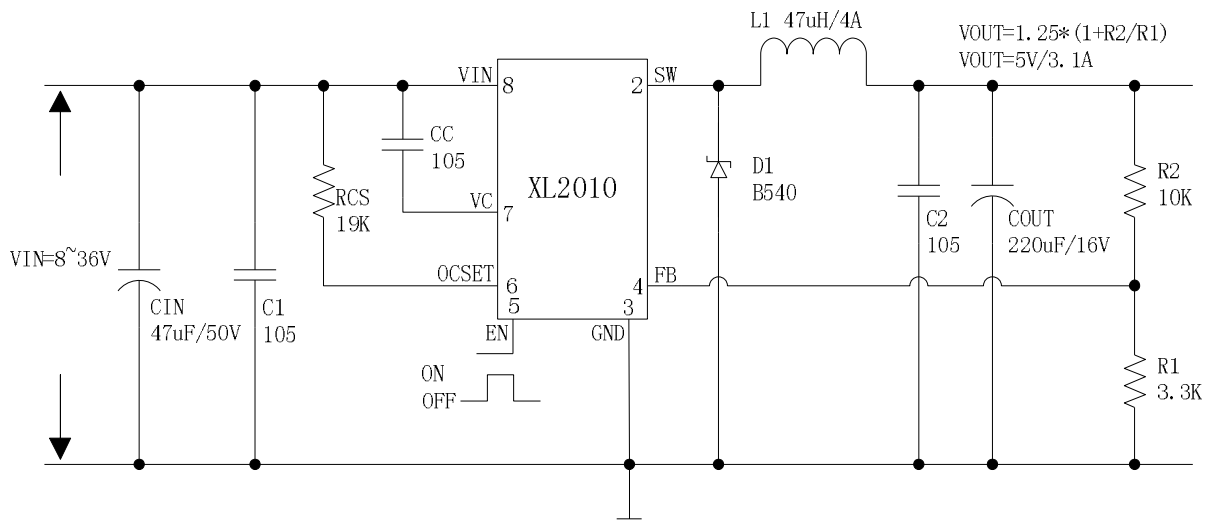


Figure4. XL2010 Typical Application Circuit (VIN=8V~36V, VOUT=5V/3.1A)

**3.5A 180KHz 36V Buck DC to DC Converter With CV/CC Loop**

**XL2010**

**Ordering Information**

Package	Temperature Range	Part Number	Marking ID	Packing Type
		Lead Free	Lead Free	
		XL2010E1	XL2010E1	Tube

XLSEMI Pb-free products, as designated with “E1” suffix in the par number, are RoHS compliant.

**Absolute Maximum Ratings (Note1)**

Parameter	Symbol	Value	Unit
Input Voltage	V <sub>in</sub>	-0.3 to 40	V
Feedback Pin Voltage	V <sub>FB</sub>	-0.3 to V <sub>in</sub>	V
Output Switch Pin Voltage	V <sub>Output</sub>	-0.3 to V <sub>in</sub>	V
Power Dissipation	P <sub>D</sub>	Internally limited	mW
Thermal Resistance (SOP8-EP) (Junction to Ambient, No Heatsink, Free Air)	R <sub>JA</sub>	60	°C/W
Operating Junction Temperature	T <sub>J</sub>	-40 to 125	°C
Storage Temperature	T <sub>STG</sub>	-65 to 150	°C
Lead Temperature (Soldering, 10 sec)	T <sub>LEAD</sub>	260	°C
ESD (HBM)		>2000	V

**Note1:** Stresses greater than those listed under Maximum Ratings may cause permanent damage to the device. This is a stress rating only and functional operation of the device at these or any other conditions above those indicated in the operation is not implied. Exposure to absolute maximum rating conditions for extended periods may affect reliability.

**3.5A 180KHz 36V Buck DC to DC Converter With CV/CC Loop**

**XL2010**

**XL2010 Electrical Characteristics**

T<sub>a</sub> = 25°C; unless otherwise specified.

Symbol	Parameter	Test Condition	Min.	Typ.	Max.	Unit
<i>System parameters test circuit figure4</i>						
VFB	Feedback Voltage	V <sub>in</sub> = 8V to 36V, V <sub>out</sub> =5V I <sub>load</sub> =0.5A to 3.5A	1.225	1.25	1.275	V
Efficiency	η	V <sub>in</sub> =12V , V <sub>out</sub> =5V I <sub>out</sub> =3.1A	-	87	-	%

**Electrical Characteristics (DC Parameters)**

V<sub>in</sub> = 12V, GND=0V, V<sub>in</sub> & GND parallel connect a 100uf/50V capacitor; I<sub>out</sub>=500mA, T<sub>a</sub> = 25°C; the others floating unless otherwise specified.

Parameters	Symbol	Test Condition	Min.	Typ.	Max.	Unit
Input operation voltage	V <sub>in</sub>		8		36	V
Quiescent Supply Current	I <sub>q</sub>	V <sub>FB</sub> =V <sub>in</sub>		2.1	5	mA
Oscillator Frequency	F <sub>osc</sub>		153	180	207	KHz
Output Short Frequency	F <sub>osp</sub>			48		KHz
Switch Current Limit	I <sub>L</sub>	V <sub>FB</sub> =0		5		A
EN Pin Threshold	V <sub>EN</sub>	High (Regulator ON) Low (Regulator OFF)		1.7 1.1		V
Max. Duty Cycle	D <sub>MAX</sub>	V <sub>FB</sub> =0V		100		%
Output Power PMOS	R <sub>dson</sub>	V <sub>FB</sub> =0V, V <sub>in</sub> =12V, I <sub>SW</sub> =3.5A		60	80	mohm

**3.5A 180KHz 36V Buck DC to DC Converter With CV/CC Loop**

**XL2010**

**Typical System Application (VOUT=5V/3.1A)**

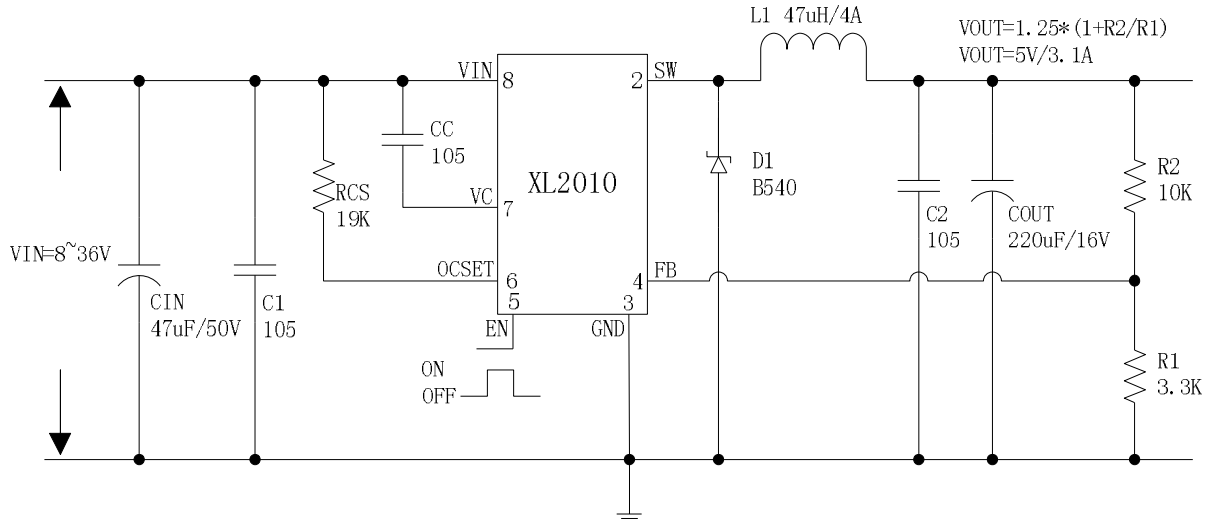


Figure5. XL2010 System Parameters Test Circuit (VIN=8V~36V, VOUT=5V/3.1A)

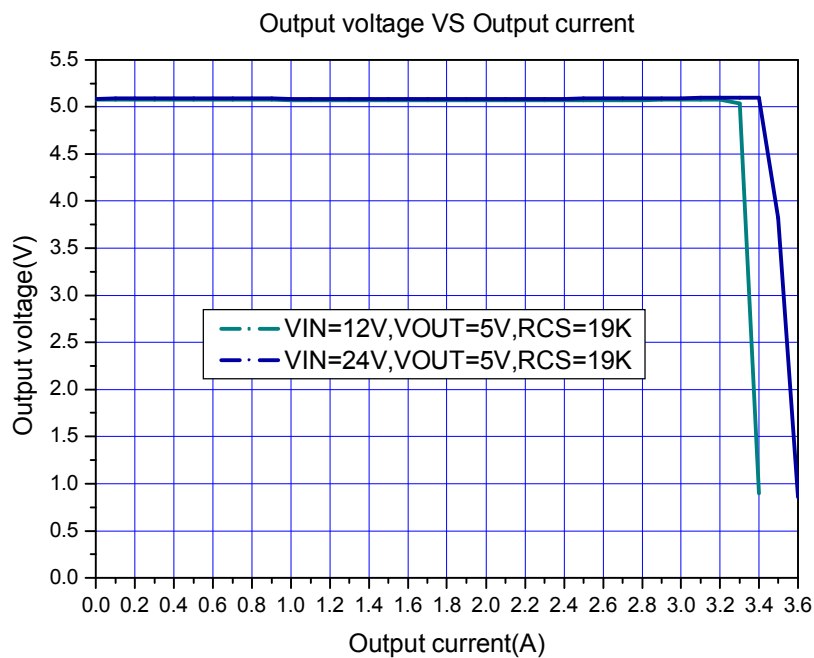


Figure6. XL2010 System Output Constant Current Curve

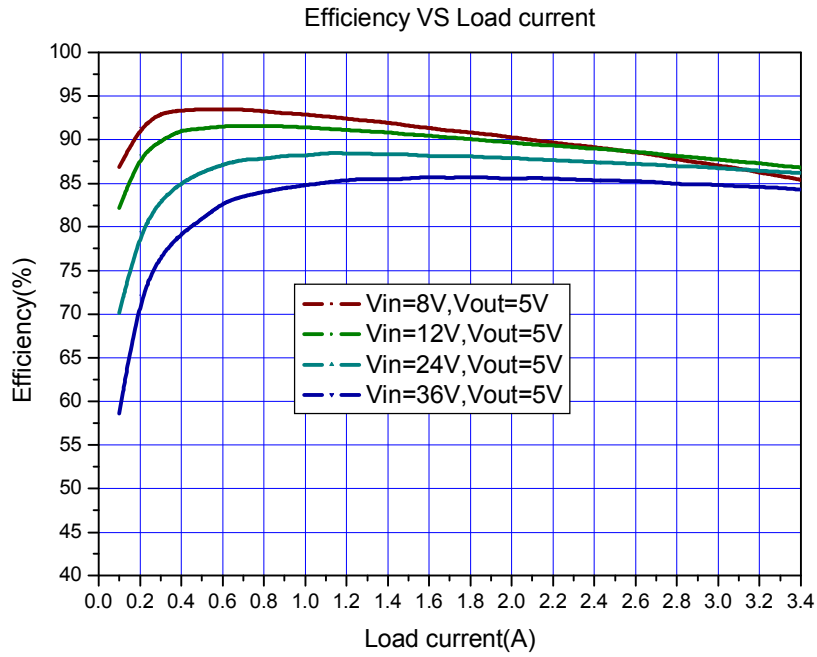


Figure7. XL2010 System Efficiency Curve

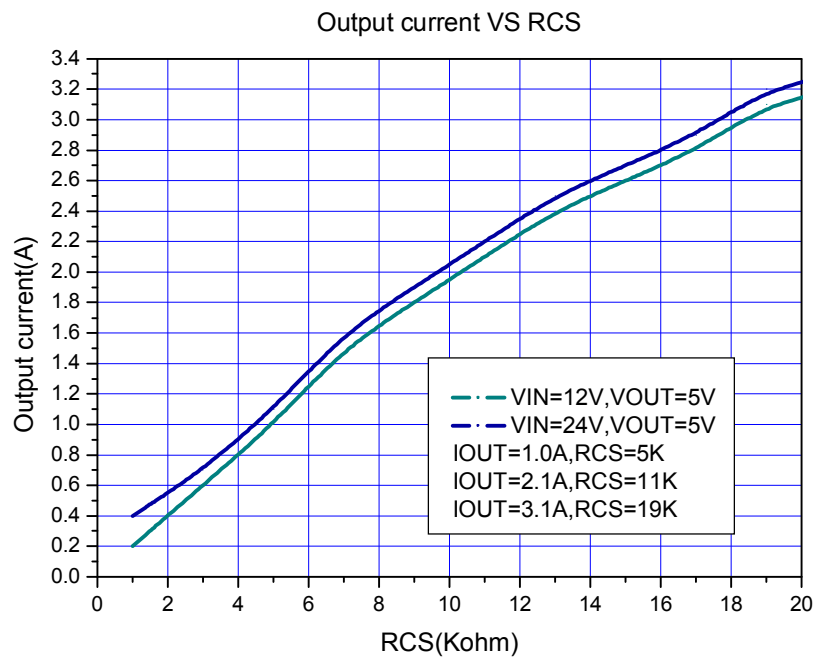


Figure8. RCS VS Output Current Select Curve

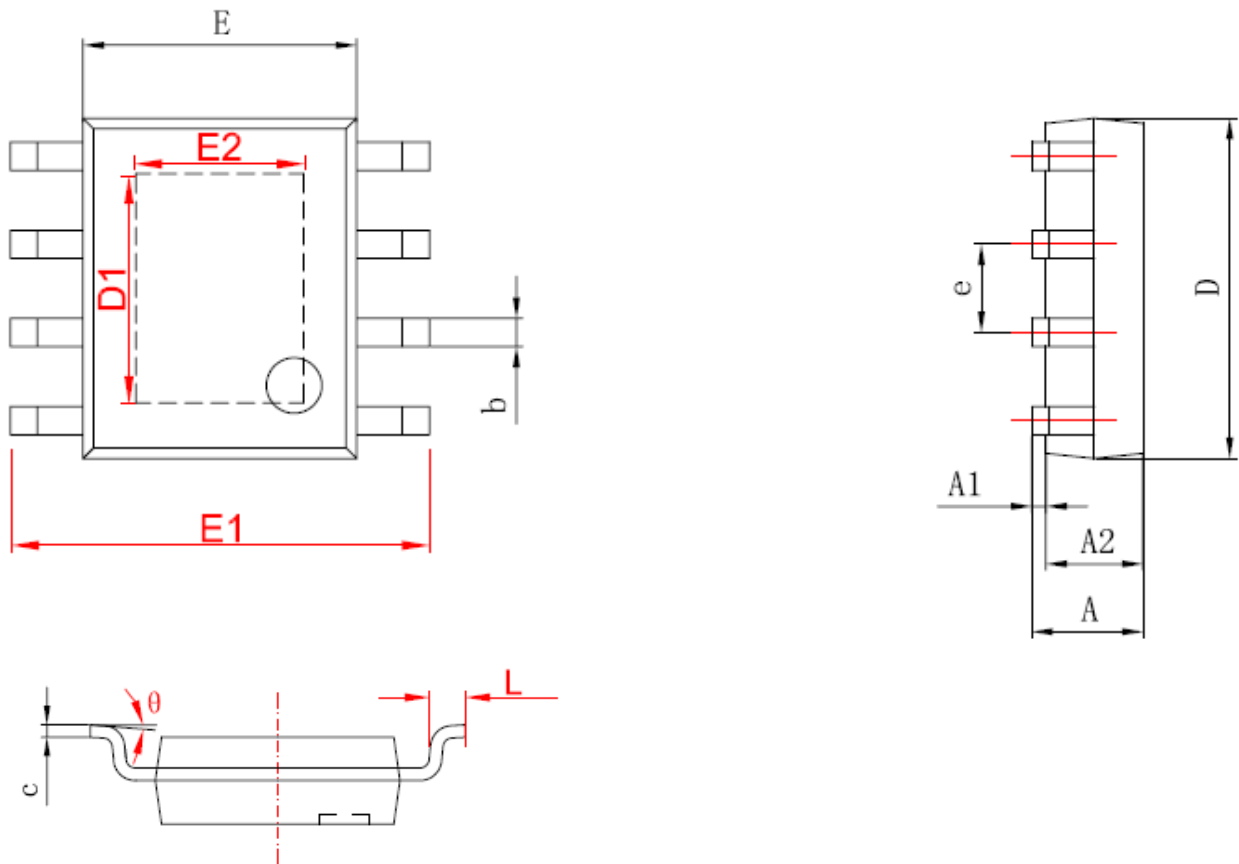
**Schottky Diode Selection Table**

Current	Surface Mount	Through Hole	VR (The same as system maximum input voltage)				
			20V	30V	40V	50V	60V
1A		✓	1N5817	1N5818	1N5819		
3A		✓	1N5820	1N5821	1N5822		
		✓	MBR320	MBR330	MBR340	MBR350	MBR360
	✓		SK32	SK33	SK34	SK35	SK36
	✓			30WQ03	30WQ04	30WQ05	
		✓		31DQ03	31DQ04	31DQ05	
		✓	SR302	SR303	SR304	SR305	SR306
5A		✓	1N5823	1N5824	1N5825		
		✓	SR502	SR503	SR504	SR505	SR506
		✓	SB520	SB530	SB540	SB550	SB560
	✓		SK52	SK53	SK54	SK55	SK56
	✓			50WQ03	50WQ04	50WQ05	



**Package Information**

**Package Information (SOP8-EP)**



字符	Dimensions In Millimeters		Dimensions In Inches	
	Min	Max	Min	Max
A	1.350	1.750	0.053	0.069
A1	0.050	0.150	0.004	0.010
A2	1.350	1.550	0.053	0.061
b	0.330	0.510	0.013	0.020
c	0.170	0.250	0.006	0.010
D	4.700	5.100	0.185	0.200
D1	3.202	3.402	0.126	0.134
E	3.800	4.000	0.150	0.157
E1	5.800	6.200	0.228	0.244
E2	2.313	2.513	0.091	0.099
e	1.270 (BSC)		0.050 (BSC)	
L	0.400	1.270	0.016	0.050
θ	0°	8°	0°	8°