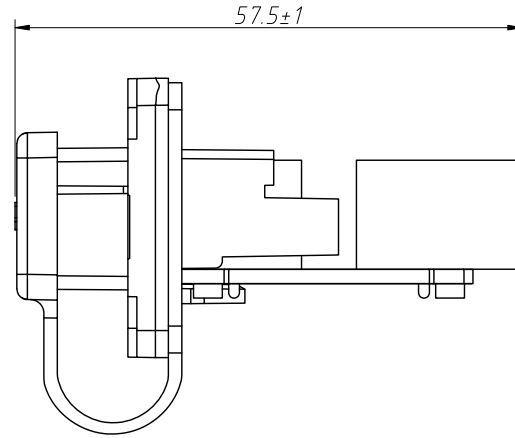
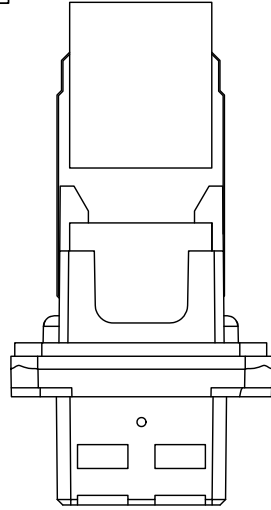


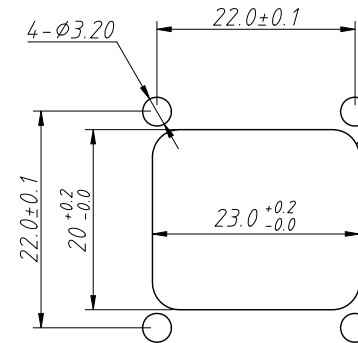
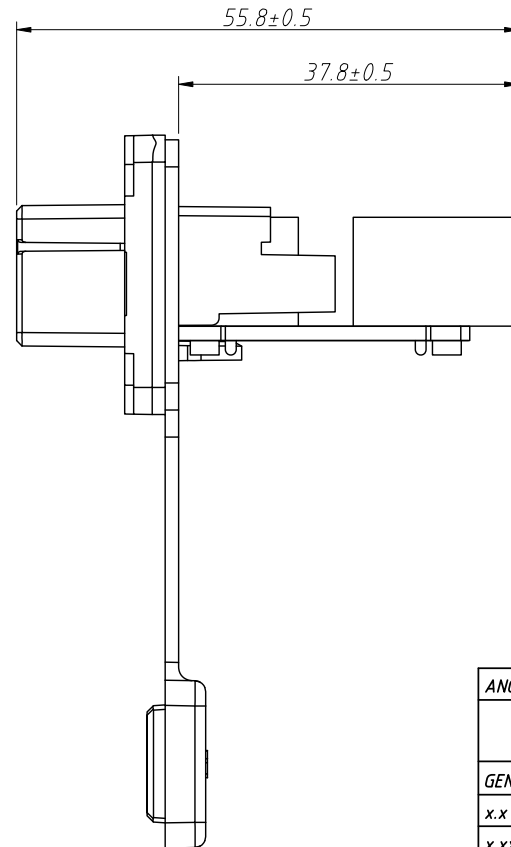
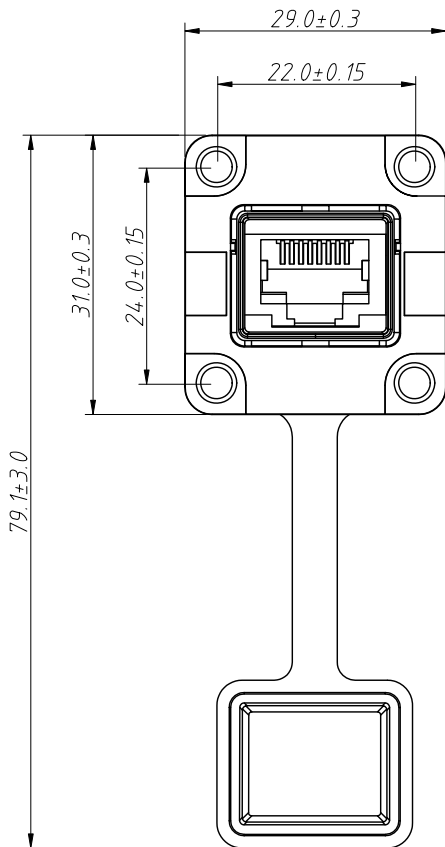
1 RoHS Compliance

REV	SYM	Revision Record	Appr.	Date
V0	KLS01256	New Version Release	Song	2026-04-20

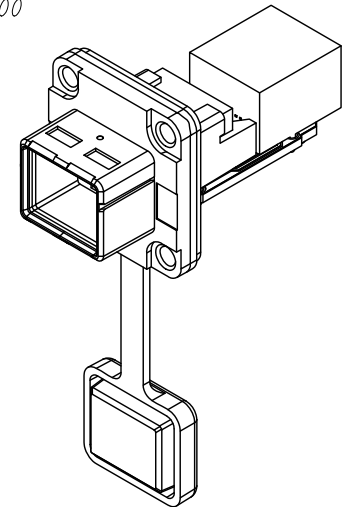


Material:
RJ45 Contacts: Copper Alloy
Housing: Thermoplastic

Electrical:
Rated Current: 1.5A
Rated Voltage: 125VAC
Withstand Voltage: 1000VAC
Contact Resistance: 30mΩ Max
Insulation Resistance: 500MΩ Min
IP Code: IP65
Life: 500 Cycles Min
Tightening Torque: 0.4N.m
Transmission rate: CAT.5E
Operating Temperature: -25°C ~ +85°C



Mounting hole size
Mounting screw size: M3



ANGLE TOLERANCE	PROJECTION	Description:	RJ45 Waterproof Connector	
±3°				
GENERAL TOLERANCE	UNITS	mm	KLS P/N:	L-KLS12-WRJ45-06S
x.x ±0.30	SHEET SIZE	A4		
x.xx ±0.20	Draw:	Song	2026-04-20	
x.xxx ±0.10	Check:	Daniel	2026-04-20	

NingBo KLS ELECTRONIC CO.,LTD.