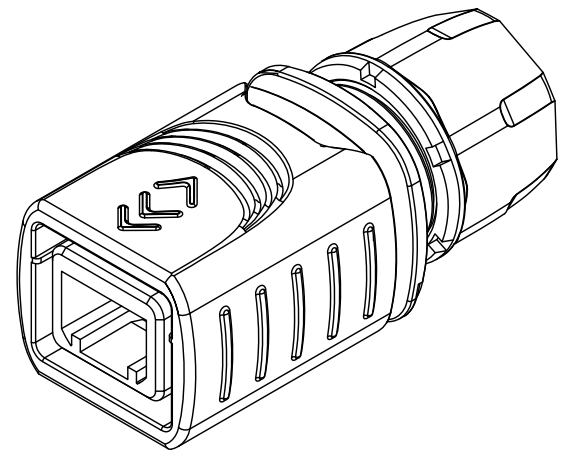
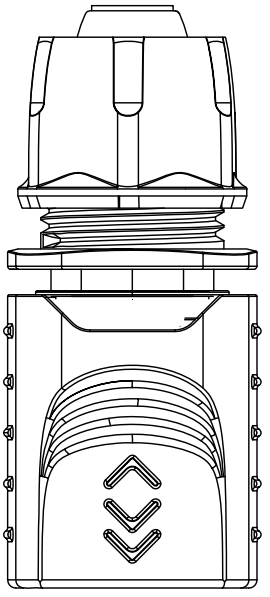
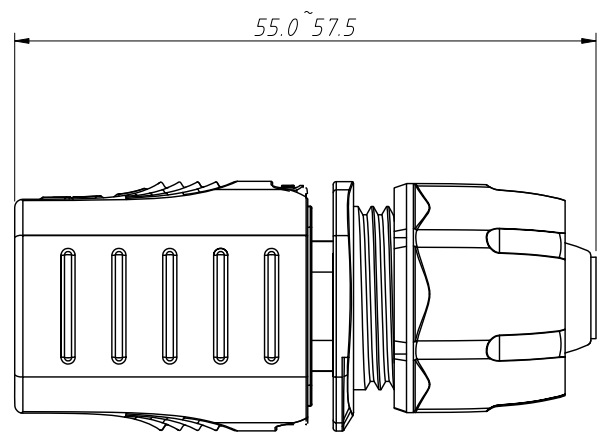
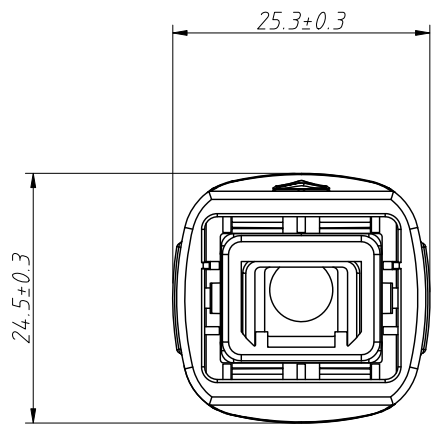


1
RoHS Compliance

6		7		8	
REV	SYM	Revision Record		Appr.	Date
V0	KLS01256	New Version Release		Song	2026-04-20



Notes:
 Cable OD: $\phi 5.0 \sim 6.8$ mm
 IP Code: IP65
 Life: 500 Cycles Min
 Tightening Torque: 1.3N.m
 Operating Temperature: $-25^{\circ}\text{C} \sim +85^{\circ}\text{C}$



ANGLE TOLERANCE		PROJECTION		Description:	
$\pm 3^{\circ}$				RJ45 Waterproof Connector	
GENERAL TOLERANCE		UNITS	mm	KLS P/N:	
x.x	± 0.30	SHEET SIZE	A4	L-KLS12-WRJ45-06P	
x.xx	± 0.20	Draw:	Song	2026-04-20	
x.xxx	± 0.10	Check:	Daniel	2026-04-20	

KLS electronic
 NingBo KLS ELECTRONIC CO.,LTD.