

U S B P C B R I G H T A N G L E S O C K E T



USBA-G-x

Contact Plating:

none - Selective Gold
 T - Tin
 G - Gold Flash
 D - Gold 30 U"

Contact Type:

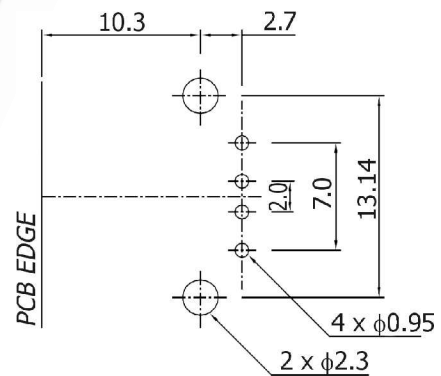
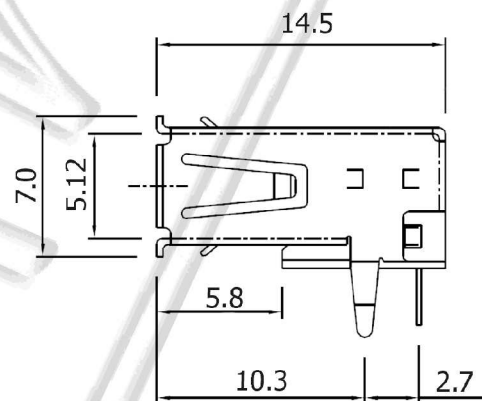
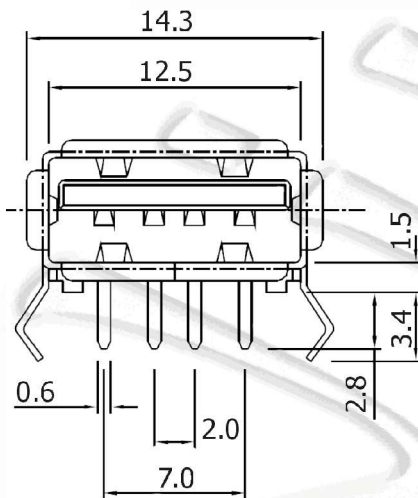
G - Male
 F - Female

Function:

A - A Type
 B - B Type

USB PCB Right Angle Socket

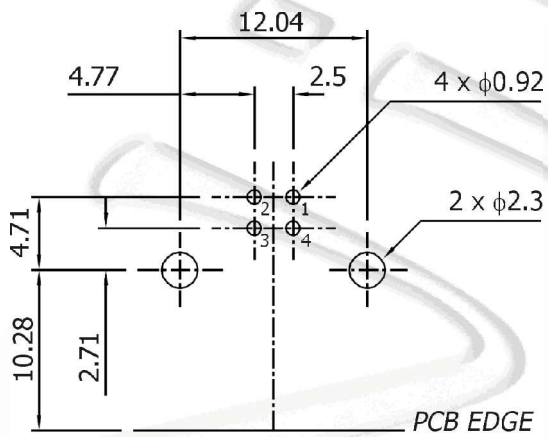
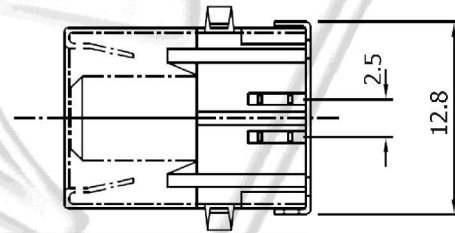
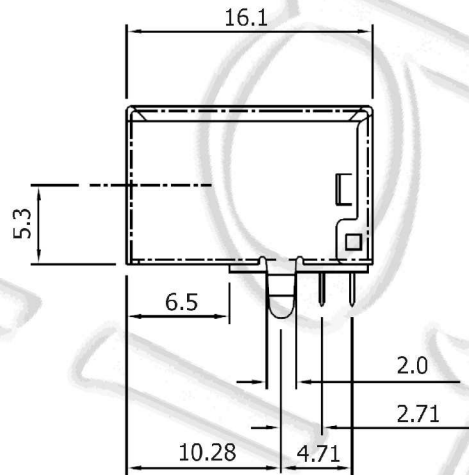
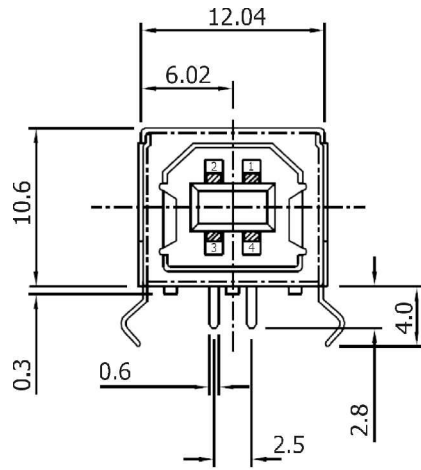
USBA



PCB Layout (bottom view)

Ninigi

USBB



PCB Layout (bottom view)