

# Connector

## USB Connector Series

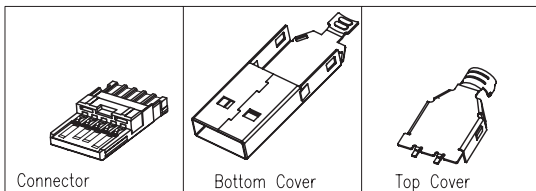
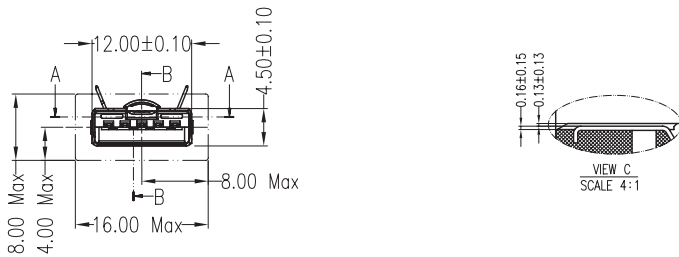
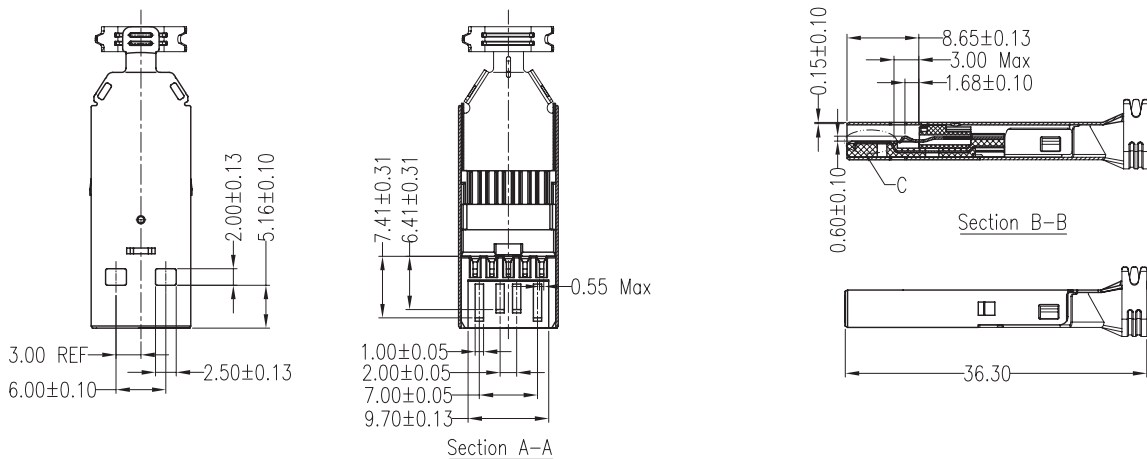
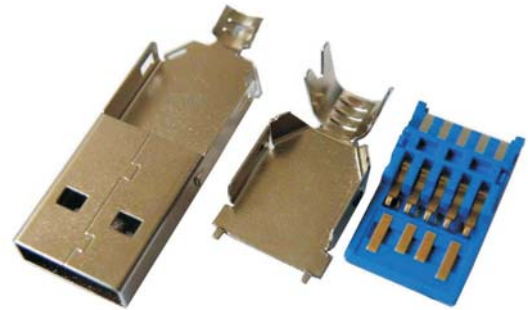
### KLS1-149 USB 3.0 A Type Male Plug

**Material:**

Housing: PBT UL94V-0                      Color: Blue  
 Contact : Copper; Gold plating over Nicke on contact ared,  
                  Tin plating on Solder Tail.  
 Shell: Spcc, Nickel plating on Solder Tail.

**Specification:**

Current rating: 1.5 A Max.  
 Dielectric withstanding voltage: 100 V (AC) for 1 min.  
 Contact resistance: 30 mΩ Max.  
 Insulation resistance: 100 MΩ Min.



Pin Number	Signal Name
1	VBUS
2	D-
3	D+
4	GND
5	StdA_SSRX-
6	StdB_SSRX+
7	GND-DRAIN
8	StdA_SSTX-
9	StdA_SSTX+

## ORDER INFORMATION

Product NO.: KLS1 - 149 - L

Pos. NO. \_\_\_\_\_ Color: Blue  
 USB 3.0 Plug \_\_\_\_\_