

# Connector

## USB Connector Series

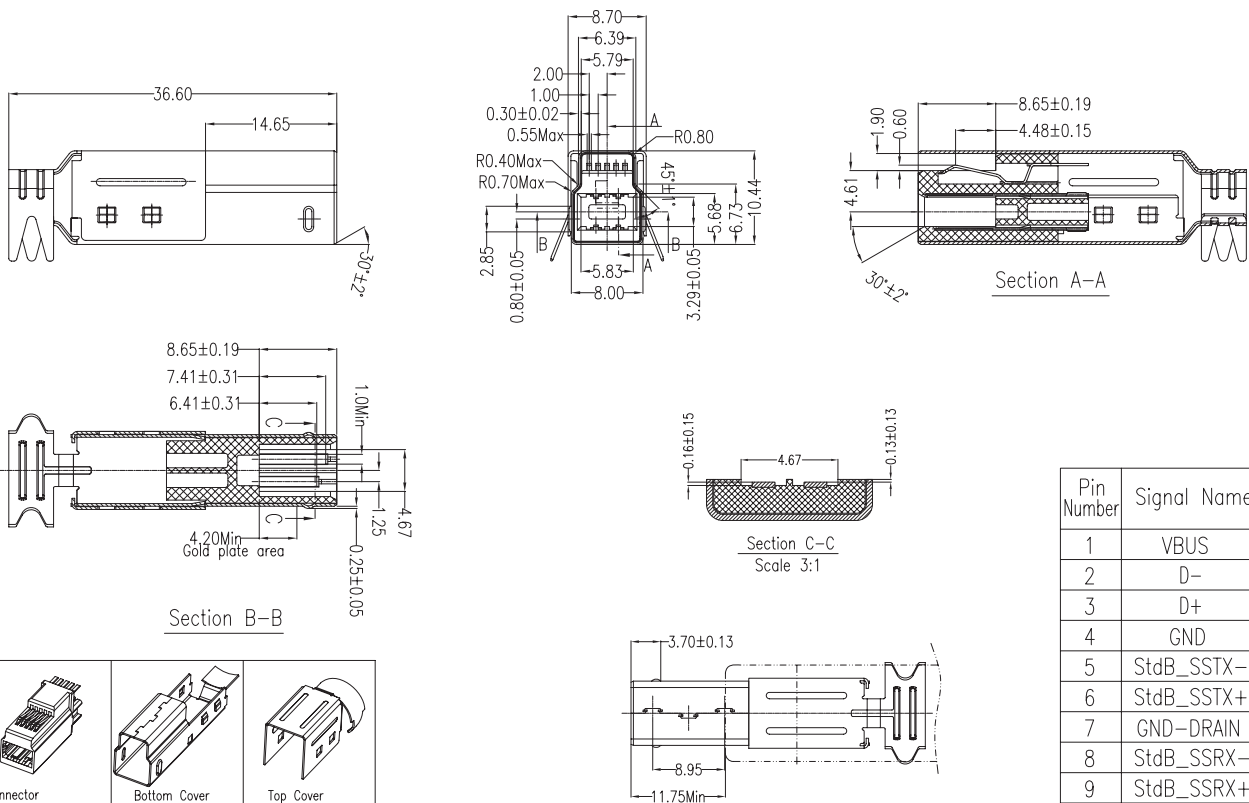
### KLS1-148 USB 3.0 B Type Plug

**Material:**

Housing: PBT UL94V-0 Color: Blue  
 Contact A: Phosphor Bronze; Gold plating over Nicke on contact ared, Tin plating on Solder Tail.  
 Contact B: Brass; Gold plating over Nicke on contact ared, Tin plating on Solder Tail.  
 Shell: Spcc, Nickel plating on Solder Tail.

**Specification:**

Current rating: 1 A Max.  
 Dielectric withstanding voltage: 500 V (AC) for 1 min.  
 Contact resistance: 30 mΩ Max.  
 Insulation resistance: 1000 MΩ Min.



## ORDER INFORMATION

Product NO.: KLS1 - 148 - L

Pos. NO. \_\_\_\_\_ Color: Blue  
 USB 3.0 B Type Plug \_\_\_\_\_