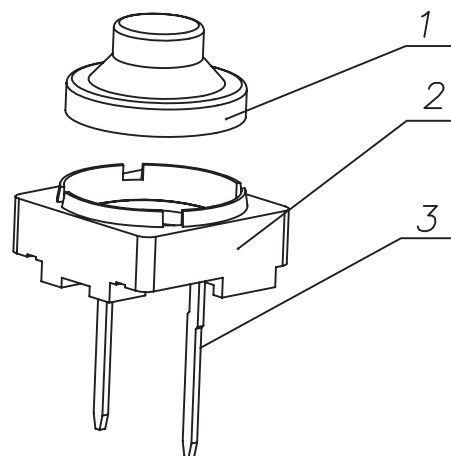
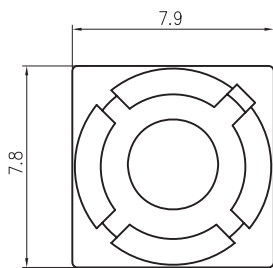
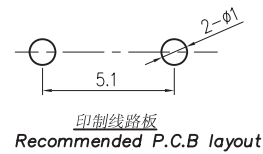
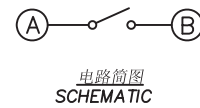
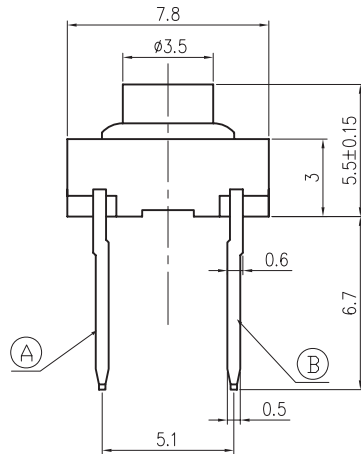


## Tactile Switches

KLS7-TS7705 7x7 mm waterproof blue pin-type touch switch

1. Rating: DC12V 50mA.
2. Operating Force:  $120 \pm 40$ gf.
3. Contact Resistance:  $200 \Omega$  Max.
4. Life: 50,000 Cycles Min.



## ORDER INFORMATION

Product NO.: KLS7 - TS7705 - 5.5 - 120 - G

PartNumber: KLS7 - TS7705 - 5.5 - 120 - G  
 7x7mm Waterproof Tact Switch  
 Packing: G-Gray  
 Operating Force:  $120 (\pm 30)$ gf  
 Height: 5.5mm