

Ninigi

D A T A S H E E T

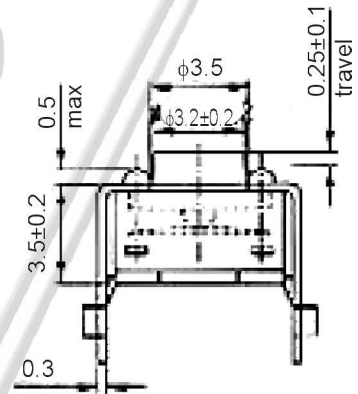
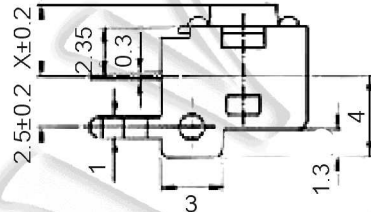
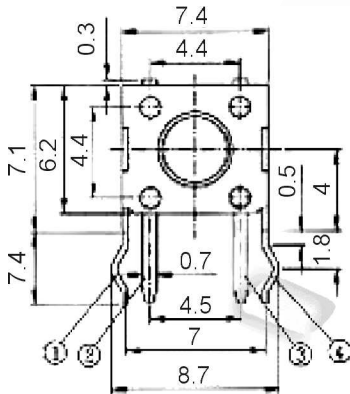


Specification:

- 1) Rating: 12 VDC, 50 mA
- 2) Travel: 0.25 ± 0.1 mm
- 3) Contact resistance: 100 mW max.

TACTA-64K

Operating force
Button height
Tact Switch



OPERATING FORCE

K	100±30 gf
V	130±30 gf
N	160±50 gf
W	170±50 gf
Y	190±30 gf
R	250±100 gf

BUTTON HEIGHT

3	X=3.15 mm
4	X=3.85 mm
5	X=5.85 mm
8	X=8.35 mm
7	X=6.85 mm
11	X=11.35 mm
6	X=6.15 mm
12	X=11.85 mm
13	X=12.5 mm

CIRCUIT DIAGRAM

