

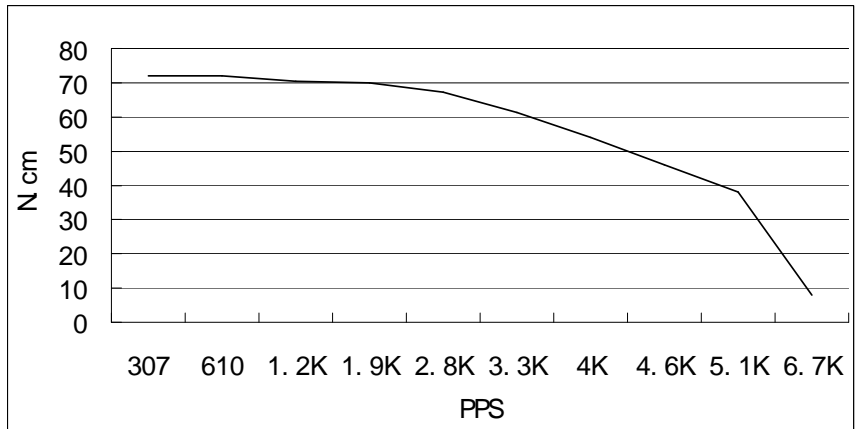
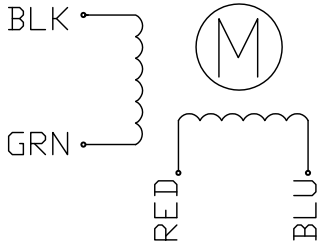
# HIGH TORQUE HYBRID STEPPING MOTOR SPECIFICATIONS

General specifications		Electrical specifications	
Step Angle (°)	1.8	Rated Voltage (V)	2.5
Temperature Rise (°C)	80 Max (rated current, 2 phase on)	Rated Current (A)	2.8
Ambient temperature (°C)	-20~+50	Resistance Per Phase(±0%Ω)	0.9 (25°C)
Number of Phase	2	Inductance Per Phase (±20% $\mu$ H)	2.5
Insulation Resistance (MΩ)	100 Min (500VDC)	Holding Torque (Kg.cm)	12.6
Insulation Class	Class B	Detent Torque (Kg.cm)	0.4
Max.radial force (N)	75 (20mm from the flange)	Rotor Inertia (g.cm <sup>2</sup> )	300
Max.axial force (N)	15	Weight (Kg)	0.7

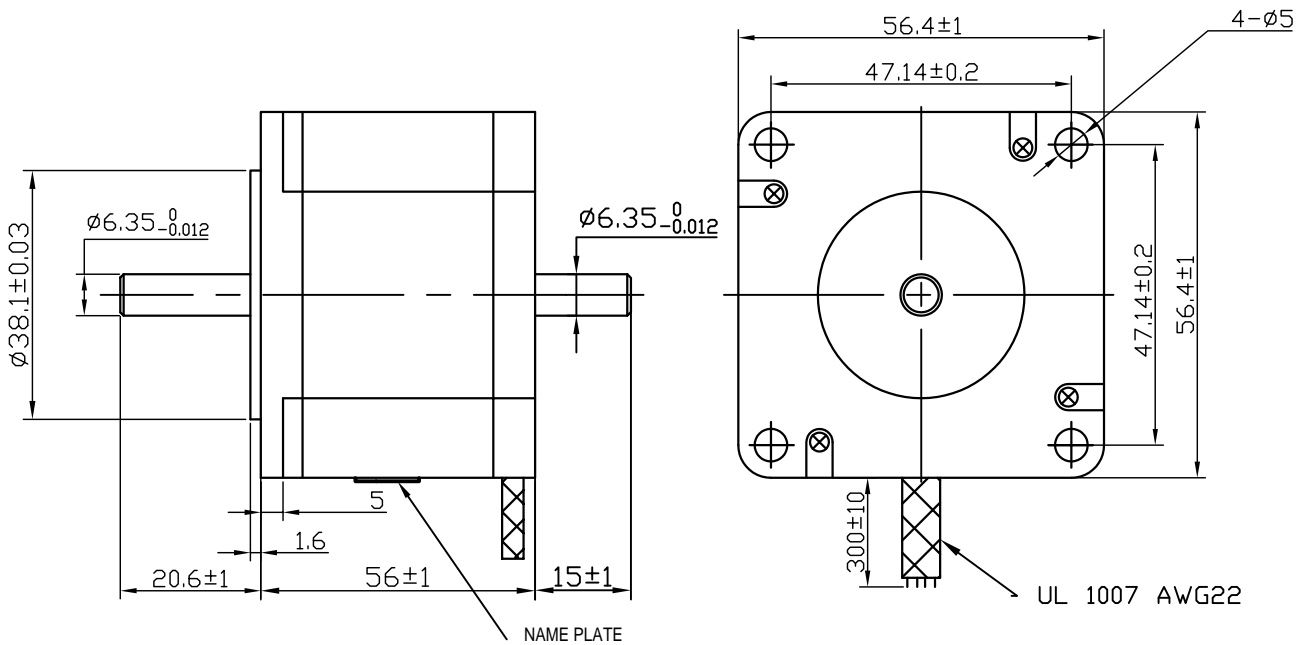
● Pull out torque curve:

VOLTAGE: 30VDC, CONSTANT CURRENT: 2.8A, HALF STEP

● Wiring Diagram:



● Dimensions:  
(unit=mm)



△						
△						
REV	REVISIONS	DESCRIPTION	BY	DATE	SY57STH56-2804B	TECHNICAL CONDITIONS
DRAW	王凯				CHANGZHOU SONGYANG MACHINERY & ELECTRONICS NEW TECHNIC INSTITUTE	080056007
CHECK						
APPROVE						