



Ordering number C11816
Description C11816_Strada-SQ-T-DN-XP

Family	Strada-SQ	FWHM	Asym degrees
Type	Lens	Efficiency	87 %
LED	XP-E	cd/lm	-
Color	Transparent	Gerber File	Available
Diameter	25 + 25 mm		
Height	8.77 mm		
Style	Square		
Optic Material	PMMA		
Holder Material	-		
Fastening	Screw, glue		
Status	Ready		

Ordering number CA11817
Description CA11817_Strada-SQ-T-DN-XP-TAPE

Family	Strada-SQ	FWHM	Asym degrees
Type	Lens	Efficiency	87 %
LED	XP-E	cd/lm	-
Color	Transparent	Gerber File	Available
Diameter	25 + 25 mm		
Height	8.92 mm		
Style	Square		
Optic Material	PMMA		
Holder Material	-		
Fastening	Screw, tape		
Status	Ready		



PRODUCT DATASHEET

Strada-SQ series

last update 22/12/2011



NOTE: The typical divergence will be changed by different color, chip size and chip position tolerance. The typical total divergence is the full angle measured where the luminous intensity is half of the peak value.



PRODUCT DATASHEET Strada-SQ series

last update 22/12/2011



GENERAL INFORMATION

- Product series especially designed & optimized for XP-E series of LEDs.
- Special care taken to make light distribution as uniform as possible.
- Fastening to heat sink with a PU foam adhesive tape of automotive grade. Please find fastening details by clicking link: http://www.ledil.com/datasheets/DataSheet_TAPE.pdf
- Fastening to PCB with appropriate adhesive. By clicking link below you can find Ledil recommended glue options.
http://www.ledil.com/datasheets/DataSheet_GLUES.pdf

NOTE 1: We advise customer to ensure the suitability and sufficiency of the bond in the end product. For example, mechanical stress, vibration and holes on the surface of the circuit board weaken the strength of the tape.

NOTE 2: Assembly to the surface must be made straight, so the tape bonds constant and balanced with fastening surface. Slanted assembly might cause unbalanced bond to the surface. All surfaces where tape is applied must be clean, dry and free from grease and dirt.

If cleaning of PCB surfaces is needed, please follow strictly the cleaning instructions of your LED manufacturer - this is important as cleaning shall under no circumstances damage LEDs or other electronics components on the PCB.

Further note that optical components shall not be cleaned with any chemicals - only micro fiber cloth may be used to remove fingerprints or other traces from handling.

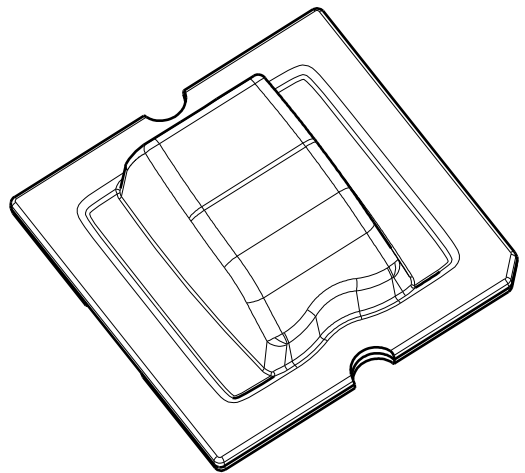
NOTE 1: We advise customer to ensure the suitability and sufficiency of the bond in the end product. For example, mechanical stress, vibration and holes on the surface of the circuit board weaken the strength of the glue.

NOTE 2: All surfaces where glue is applied must be clean, dry and free from grease and dirt. If cleaning of PCB surfaces is needed, please follow strictly the cleaning instructions of your LED manufacturer -this is important as cleaning shall under no circumstances damage LEDs or other electronics components on the PCB.

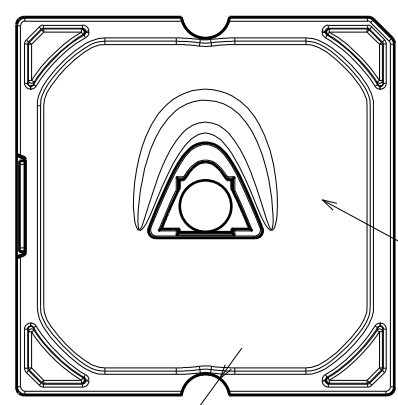
Further note that optical components shall not be cleaned with any chemicals - only micro fiber cloth may be used to remove fingerprints or other traces from handling.

D C B A

4



Isometric view

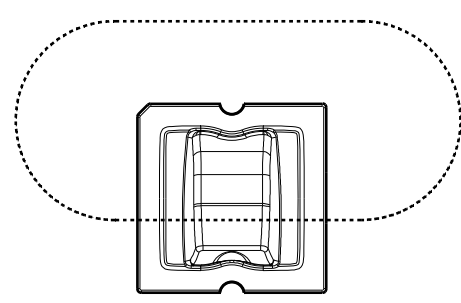


Tape area

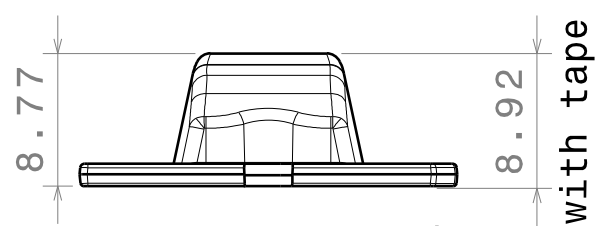
$\phi 3.2$

Bottom view

3



Beam direction



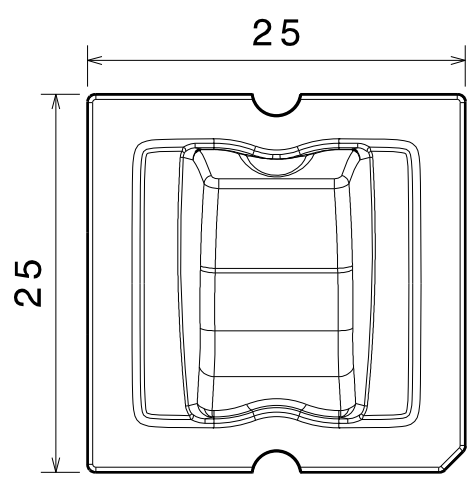
Front view

2

Part no.s:
C11816_Strada-SQ-T-DN-XP
C11816_Strada-SQ-T-DN-XP-G

Part no.s with tape:
CA11817_Strada-SQ-T-DN-XP-TAPE
CA11817_Strada-SQ-T-DN-XP-G-TAPE

MATERIALS
Lens: PMMA
Tape(optional): PU Foam



Top view

4

3

2

1

This drawing is our property.
It can't be reproduced
or communicated without
our written agreement.



Ledil Oy
Tehdaskatu 13
FIN-24100 SALO
Finland

DRAWING TITLE

Datasheet Strada-SQ-T-DN-XP Lens

DRAWN BY
mav

DATE
01.12.2010

CHECKED BY
pv

DATE
01.12.2010

SIZE
A4

DRAWING NUMBER
C11816

REV
1

DESIGNED BY
hh

DATE
01.12.2010

SCALE 2:1

WEIGHT (g)

SHEET

1 / 1

D A