



Ordering number C11252_STRADA-C2

Family	Strada-C2	FWHM	124 degrees
Type	Lens	Efficiency	92 %
LED	NCS19	cd/lm	-
Color	Transparent	Gerber File	Available
Diameter	19.6 x 15.5 mm		
Height	6.9 mm		
Style	Rectangular		
Optic Material	PMMA		
Holder Material	-		
Fastening	-		
Status	Ready		

Ordering number CA11253_STRADA-C2

Family	Strada-C2	FWHM	124 degrees
Type	Lens	Efficiency	92 %
LED	NCS19	cd/lm	-
Color	Transparent	Gerber File	Available
Diameter	19.6 x 15.6 mm		
Height	5.9 mm		
Style	Rectangular		
Optic Material	PMMA		
Holder Material	-		
Fastening	Tape		
Status	Ready		

NOTE: The typical divergence will be changed by different color, chip size and chip position tolerance. The typical total divergence is the full angle measured where the luminous intensity is half of the peak value.



PRODUCT DATASHEET Strada-C2 series

last update 25/5/2012



GENERAL INFORMATION

- Product series especially designed & optimized for NCS19 series of LEDs.
- Special care taken to make light distribution as uniform as possible.
- Lens material optical grade PMMA with high UV and temperature resistance (105 degrees of Celcius / 220 degrees of Fahrenheit). Allows use of high current and temperature conditions.

Please find more information about used material from below:

http://ledil.fi/sites/default/files/Documents/Technical/Material/PMMA%20N%20UL94_Yellow%20Card.pdf

<http://ledil.fi/sites/default/files/Documents/Technical/Material/PMMA%20N%20PLEXIGLAS-Datasheet.pdf>

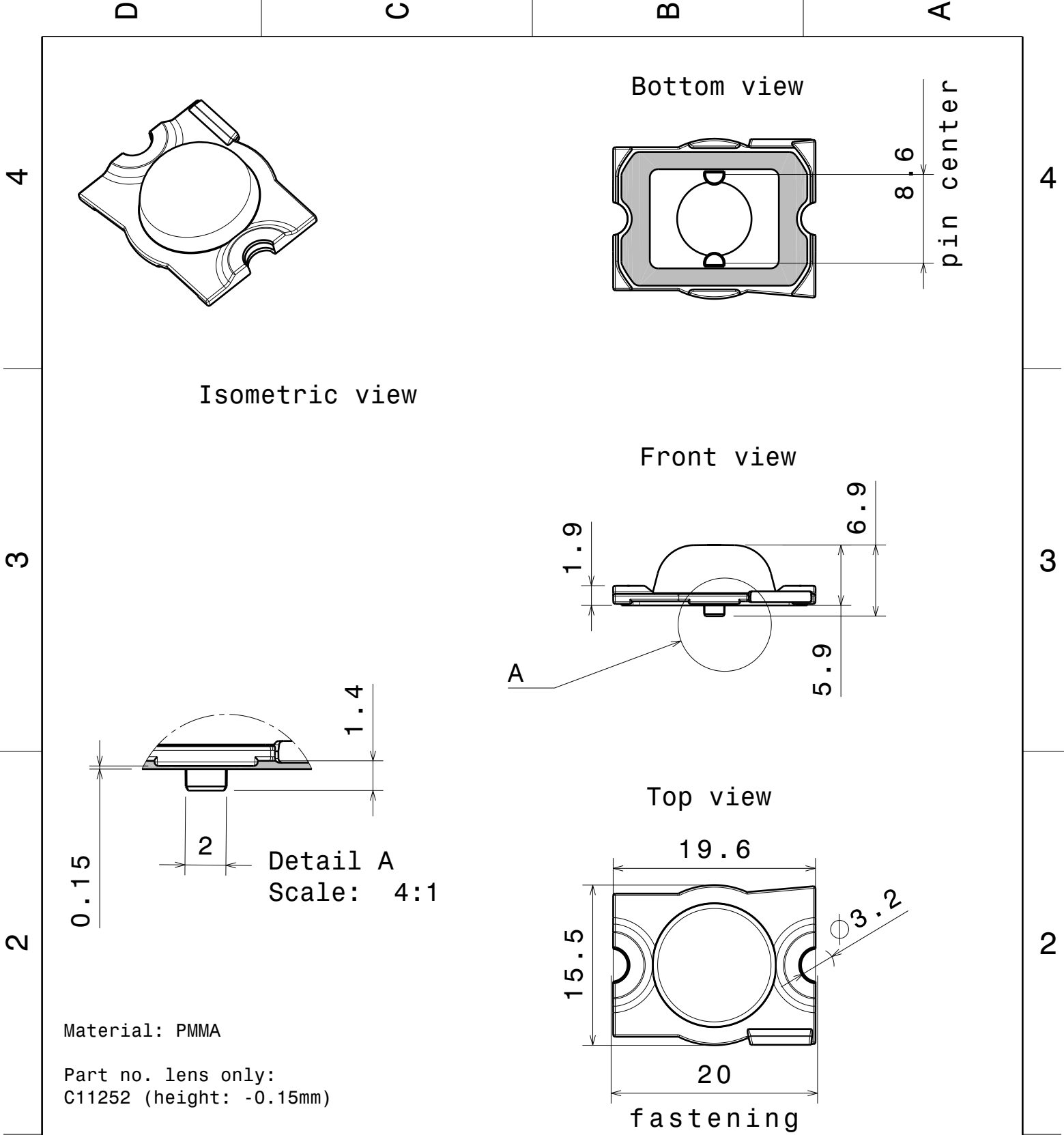
- Fastening to heat sink with a PU foam adhesive tape of automotive grade. Please find fastening details by clicking link: http://www.ledil.com/datasheets/DataSheet_TAPE.pdf

NOTE 1: We advise customer to ensure the suitability and sufficiency of the bond in the end product. For example, mechanical stress, vibration and holes on the surface of the circuit board weaken the strength of the tape.

NOTE 2: Assembly to the surface must be made straight, so the tape bonds constant and balanced with fastening surface. Slanted assembly might cause unbalanced bond to the surface. All surfaces where tape is applied must be clean, dry and free from grease and dirt.

If cleaning of PCB surfaces is needed, please follow strictly the cleaning instructions of your LED manufacturer - this is important as cleaning shall under no circumstances damage LEDs or other electronics components on the PCB.

Further note that optical components shall not be cleaned with any chemicals - only micro fiber cloth may be used to remove fingerprints or other traces from handling.



This drawing is our property.
It can't be reproduced
or communicated without
our written agreement.



L
T
F
F

e
e
i
i
n
n

DRAWING TITLE

Datasheet Strada-C2 Assy

DRAWN BY o	DATE 16.12.2009
CHECKED BY h	DATE 16.12.2009
DESIGNED BY ol	DATE 16.12.2009

SIZE A4	DRAWING NUMBER CA11253	REV 1
SCALE 2:1	WEIGHT (g)	SHEET 1/1

D

A