

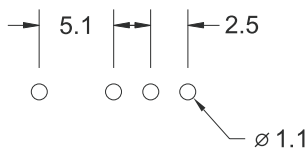
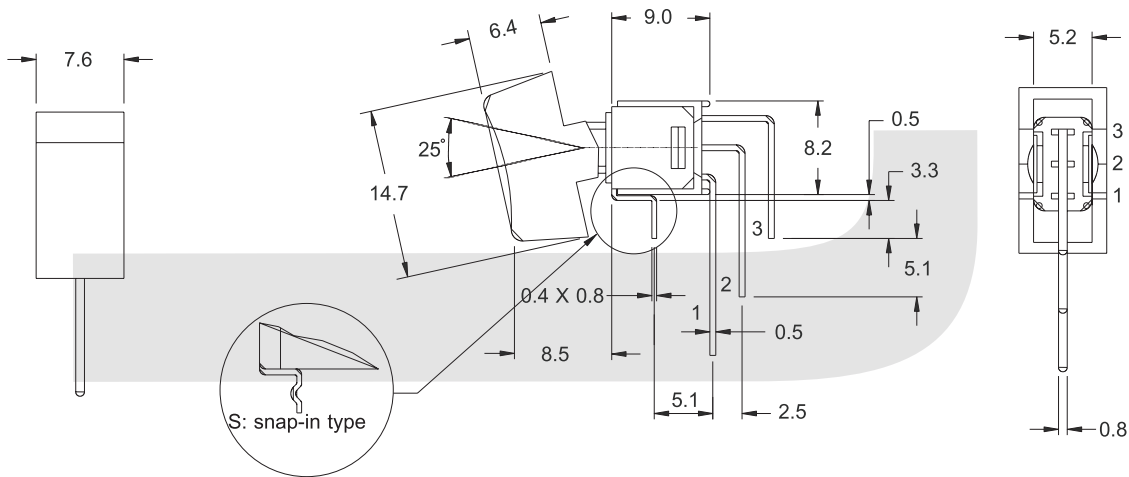
Switch

Toggle Switch Series

KLS7-SRLS-102-A4 Sub-miniature Rocker Switch Series

SPECIFICATIONS

Rating: 3A 125VAC; 1A 250VAC
 Contact Resistance: 20MΩ max
 Insulation Resistance: 500V DC 1000MΩ Min
 Dielectric Strength: 1000V AC 1 Minute
 Operating Temperature: -25°C~+65°C
 Electrical Life :20,000 cycles



PCB LAYOUT

ORDER INFORMATION

