

# SIM Card Connector

## SIM card Connector Series

### KLS1-SIM-044 Micro-SIM Card Connector

#### TECHNICAL CHARACTERISTICS

##### 1.General Characteristics

Dimensions:13.40L\*13.40W\*2.40H mm

Weight:Approx0.40±0.1g

Durability:5000 cycles min

##### 2.Electrical Characteristics:

Contact resistance:50mΩ typical, 100mΩ max.

Insulator Resistance:>1000MΩ/500V DC

##### 3.Solderability

Vapor phase:215°C,30 sec.Max

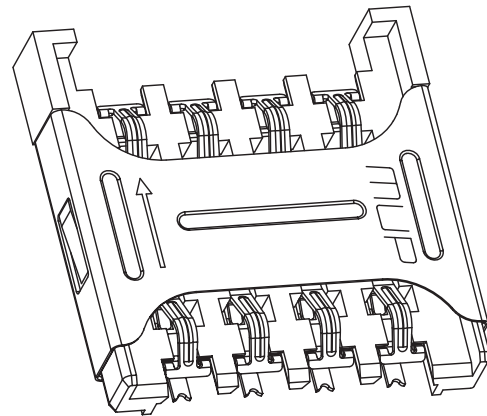
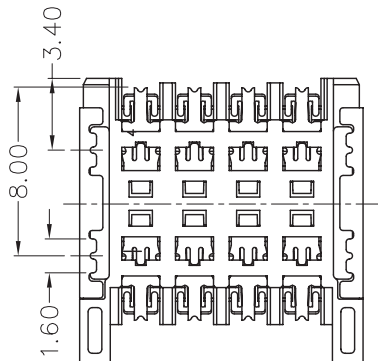
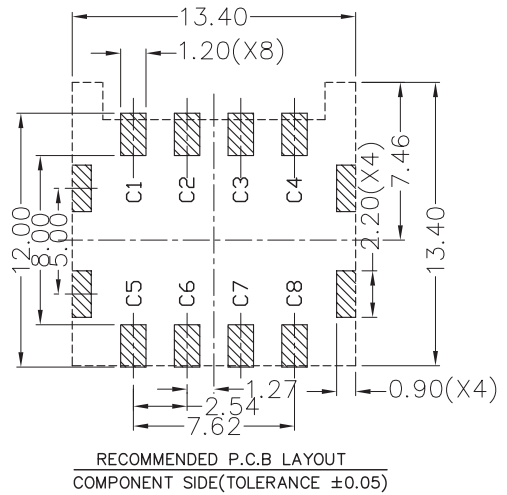
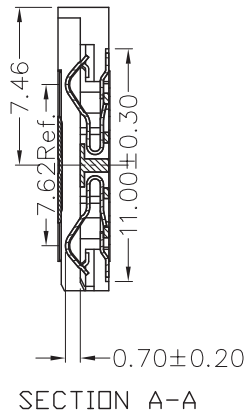
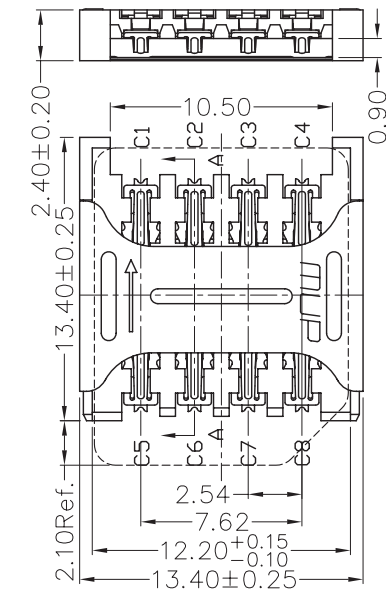
IR reflow:250°C,5 sec.Max

Manual soldering:370°C,3 sec.Max

##### 4.Environmental Characteristics

Operating temperature :-40°C ~ +85°C

Operating humidity:10%~+95%RH



## ORDER INFORMATION

Product NO.: KLS1-SIM-044-6P

Pos. NO. \_\_\_\_\_

SIM Card Connector Type \_\_\_\_\_

Pin Number: 6P~8P