

## PCB Modular Jack Series

### KLS12-153-4P PCB Modular Jack 52 Series

#### MATERIAL

- 1.Housing Material : Glass Filled Polyester UL94V-0 PBT, NYLON
- 2.Housing Color : Black, Gray, Ivory, White or others
- 3.Contact Material : Phosphor Bronze  $\Phi 0.46\text{mm}$
- 4.PLATING: Gold plating over nickel. Gold plating thickness  
1.5u"/3u"/6u"/15u"/30u"/50u"

#### ELECTRICAL

- 1.Current Rating:1.5Amp
- 2.Voltage Rating:125VAC
- 3.Contact Resistance : 30M $\Omega$  Max.
- 4.Insulation Resistance : 500 M $\Omega$  Min @500VDC
- 5.Withstanding Voltage: 1000VAC RMS 50Hz 1 minute

#### MECHANICAL

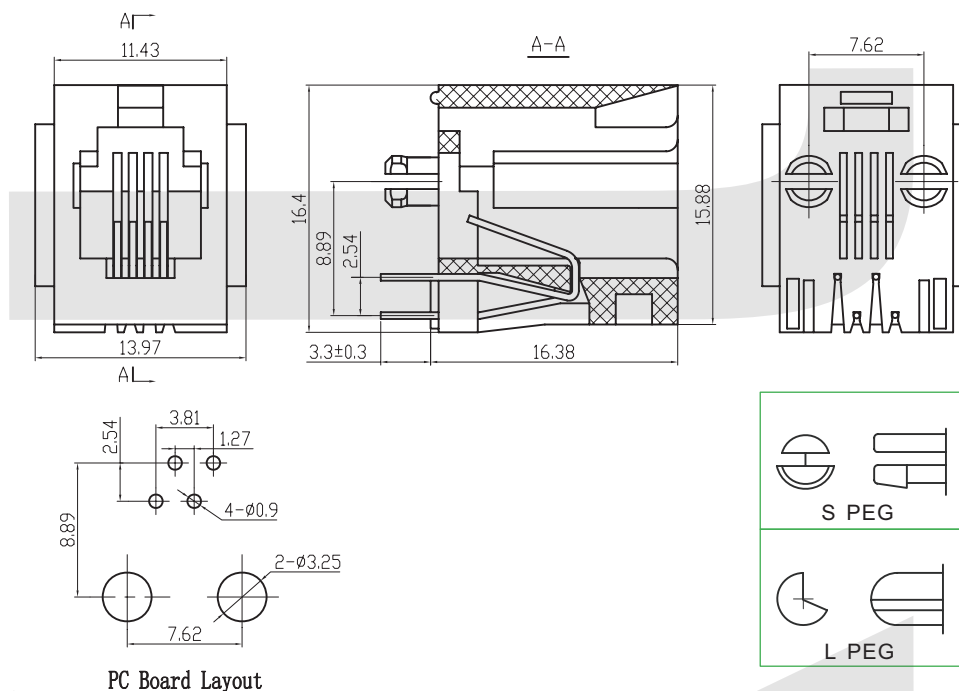
- 1.Durability : 750 cycles Min
- 2.PCB Retention pre-solder : 1 LB Min

#### ENVIRONMENTAL

- 1.Storage :-40°C~+80°C
- 2.Operation:-40°C~+70°C



XII



## ORDER INFORMATION

### KLS12-153 - 4P4C-W-L-B-XX-X

Part Number	Point NO.	Panel	Peg	Part Color	Gold Thickness	Plastic
	4P4C Point 4P2C Point	W-With Panel W/O-Without Panel	L-L Peg S-Split Peg	1-Black 2-Gray 3-White 4-IV	01-Fu" 02-3u" 03-6u" 04-15u" 05-30u" 06-50u	1-Nylon 2-PBT 3-ABS