

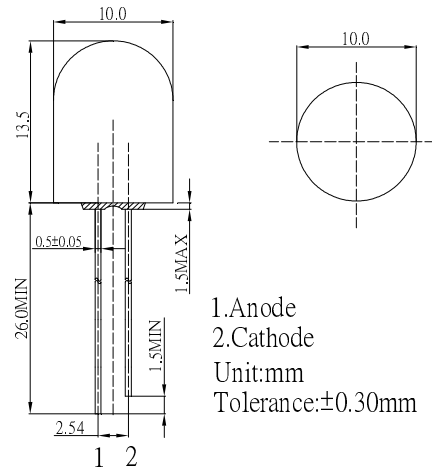
■ **Features**

- High Luminous LEDs
- 10mm Round Standard Directivity
- UV Resistant Epoxy
- Water Clear

■ **Applications**

- Electronic Signs And Signals
- Small Area Illuminations
- Back Lighting
- Other Lighting

■ **Outline Dimension**

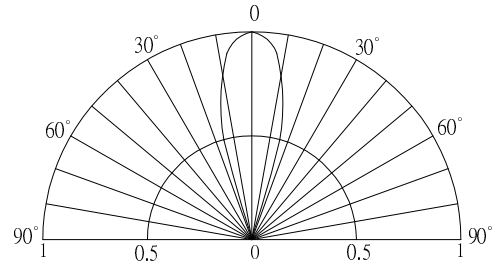


■ **Absolute Maximum Rating**

(Ta=25°C)

Item	Symbol	Value		Unit
		Y/O/R	W/M/B/PG	
DC Forward Current	I _F	50	30	mA
Pulse Forward Current*	I _{FP}	100	100	mA
Reverse Voltage	V _R	5	5	V
Power Dissipation	P _D	130	108	mW
Operating Temperature	Topr	-30 ~ +85		°C
Storage Temperature	Tstg	-40~ +100		°C
Lead Soldering Temperature	Tsol	260°C/5sec		-

■ **Directivity**



*Pulse width Max.10ms Duty ratio max 1/10

■ **Electrical -Optical Characteristics**

(Ta=25°C)

Part Number	Color		V _F (V)			I _R (μA)	I _v (mcd)			Wd(nm)/CCT(K)*			2θ1/2(deg)
			Min.	Typ.	Max.	Max.	Min.	Typ.	Max.	Min.	Typ.	Max.	Typ.
			I _F =20mA			V _R =5V		I _F =20mA					
OSW4DKA131B	White	W	2.8	3.1	3.6	10	18000	25000	-	CCT:5500-8500K			30
OSM5DKA131B	Warm White	M	2.8	3.1	3.6	10	14400	18000	-	CCT:2700-3200K			30
OSB5SAA131B	Blue	B	2.8	3.1	3.6	10	5800	7000	-	465	470	475	30
OSG5DAA131B	Pure Green	PG	2.8	3.1	3.6	10	18000	22000	-	520	525	530	30
OSY5PAA131B	Yellow	Y	1.8	2.1	2.6	10	10000	12000	-	585	590	595	30
OSO5PAA131B	Orange	O	1.8	2.1	2.6	10	12000	14400	-	600	605	610	30
OSR5PAA131B	Red	R	1.8	2.1	2.6	10	10000	12000	-	620	625	630	30

*1 Tolerance of measurements of dominant wavelength is ±1nm

*2 Tolerance of measurements of luminous intensity is ±15%

*3 Tolerance of measurements of forward voltage is ±0.1V