

Switch

Toggle Switch Series

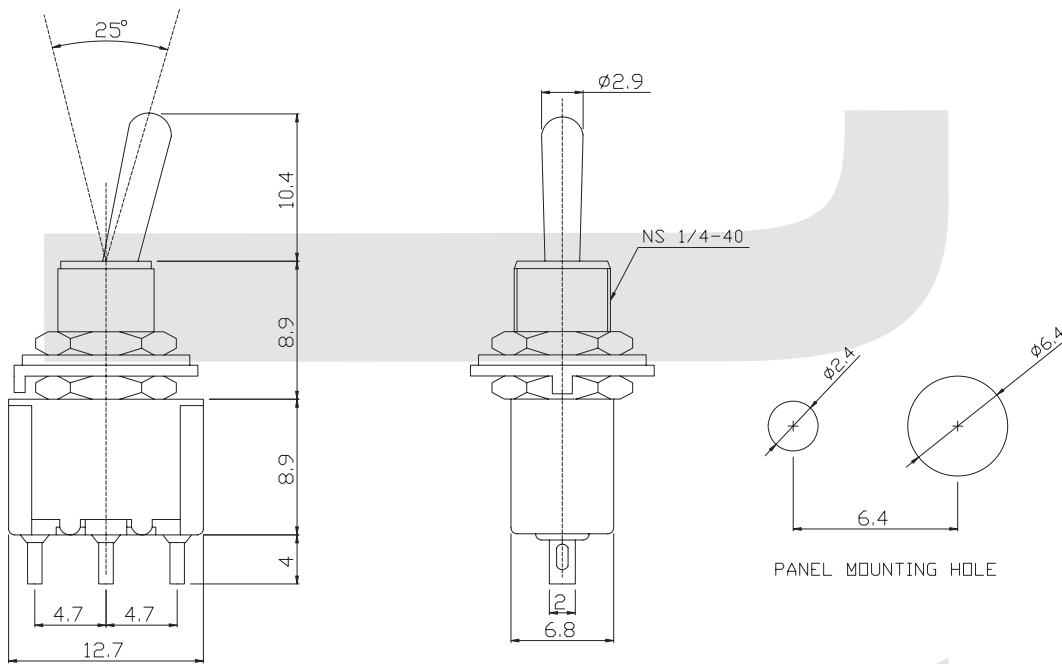
KLS7-MS-102-A1 Miniature Toggle Switch Series

SPECIFICATIONS

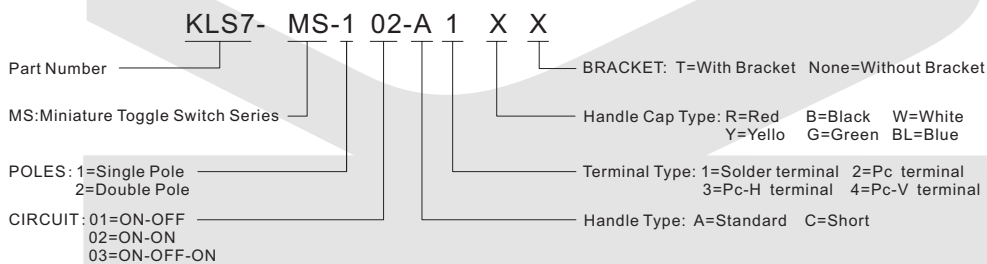
- Rating: 5A 125VAC; 2A 250VAC
- Contact Resistance: 20MΩ max
- Insulation Resistance: 500V DC 1000MΩ Min
- Dielectric Strength: 1500V AC 1 Minute
- Operating Temperature: -55°C~+85°C
- Electrical Life :20,000 cycles



VII



ORDER INFORMATION



Switch

Toggle Switch Series

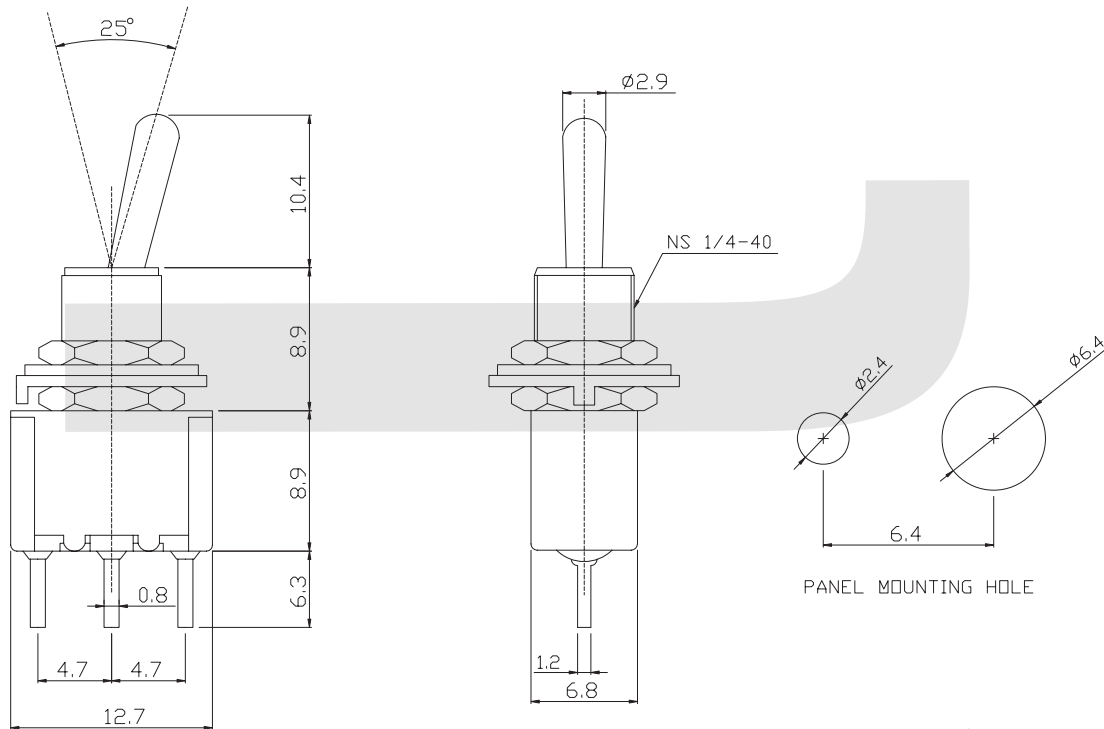
KLS7-MS-102-A2 Miniature Toggle Switch Series

SPECIFICATIONS

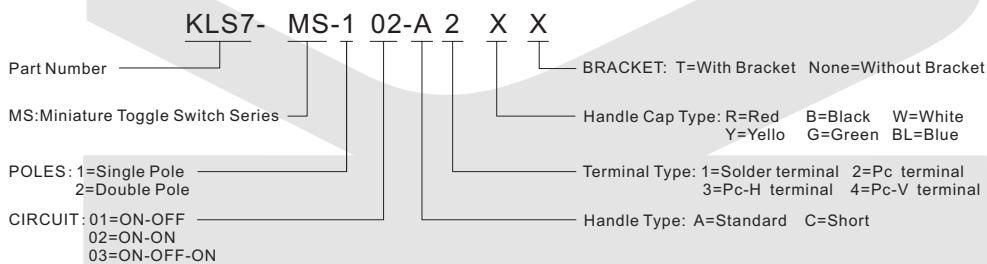
- Rating: 5A 125VAC; 2A 250VAC
- Contact Resistance: 20MΩ max
- Insulation Resistance: 500V DC 1000MΩ Min
- Dielectric Strength: 1500V AC 1 Minute
- Operating Temperature: -55°C~+85°C
- Electrical Life :20,000 cycles



VII



ORDER INFORMATION



Switch

Toggle Switch Series

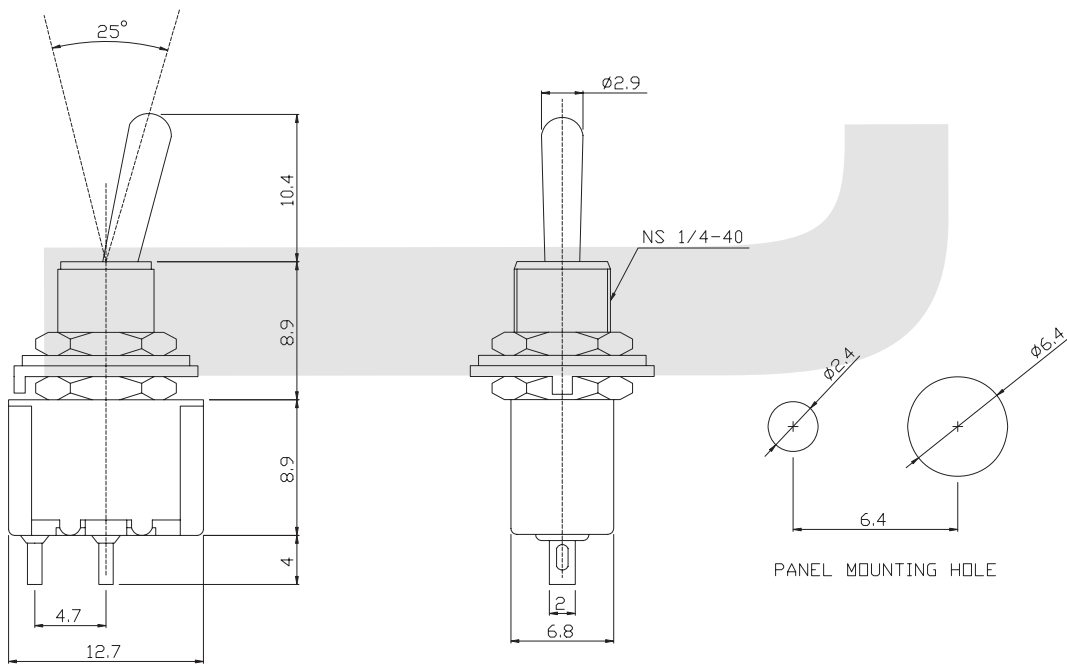
KLS7-MS-101-A1 Miniature Toggle Switch Series

SPECIFICATIONS

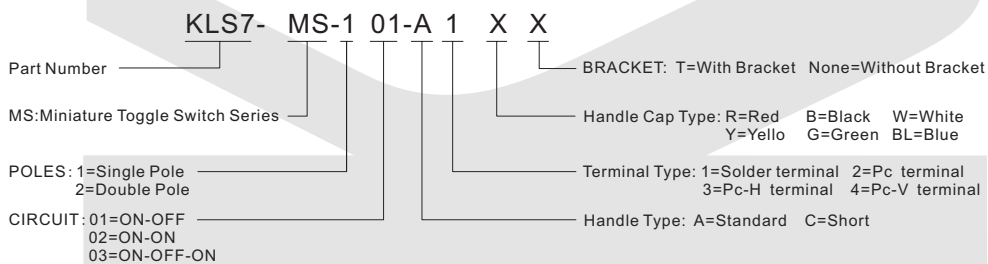
- Rating: 5A 125VAC; 2A 250VAC
- Contact Resistance: 20MΩ max
- Insulation Resistance: 500V DC 1000MΩ Min
- Dielectric Strength: 1500V AC 1 Minute
- Operating Temperature: -55°C~+85°C
- Electrical Life :20,000 cycles



VII



ORDER INFORMATION



Switch

Toggle Switch Series

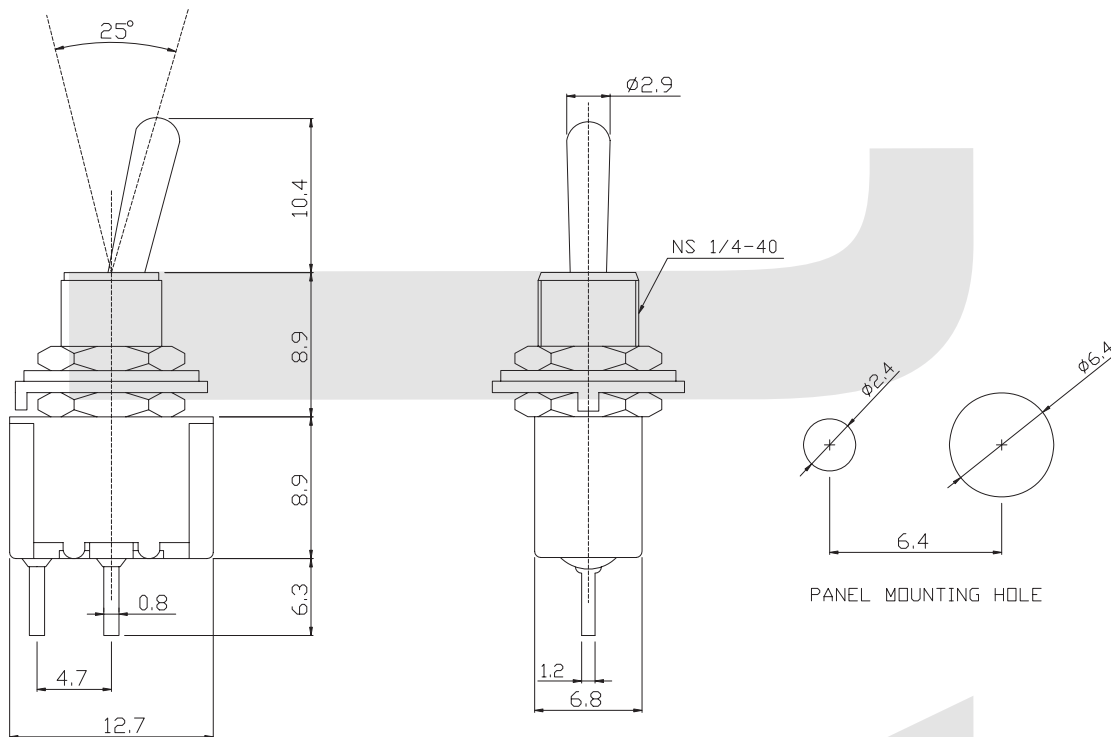
KLS7-MS-101-A2 Miniature Toggle Switch Series

SPECIFICATIONS

- Rating: 5A 125VAC; 2A 250VAC
- Contact Resistance: 20MΩ max
- Insulation Resistance: 500V DC 1000MΩ Min
- Dielectric Strength: 1500V AC 1 Minute
- Operating Temperature: -55°C~+85°C
- Electrical Life :20,000 cycles



VII



ORDER INFORMATION

