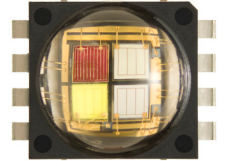


Cree® XLamp® MC-E Color (RGBW) LED Data Sheet

Cree XLamp® MC-E Color (RGBW) LEDs provide high brightness and efficient color mixing from a single, compact package that enables a wide range of lighting applications, including entertainment, retail display, and architectural/decorative color.



FEATURES

- High lumen density
- Small, multi-color optical source for efficient color mixing
- Max drive current: 700 mA per emitter
- Thermal performance: 3°C/W
- Lead-free and RoHS-compliant

APPLICATIONS

- Architectural/decorative lighting
- Stage and studio lighting
- Retail display

Table of Contents

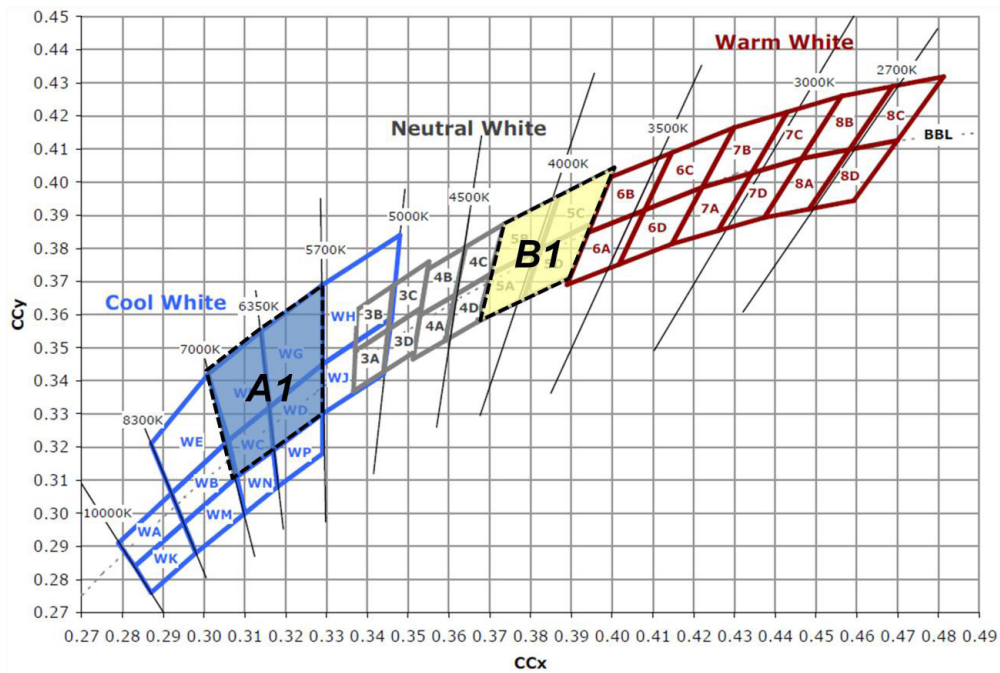
Flux Characteristics (T _j = 25°C) Red, Green, Blue and White (RGBW)	2
Characteristics - Per LED Die (T _j = 25°C)	3
Characteristics - Complete Package	3
Relative Spectral Power per Emitter	4
Forward Current (mA) vs Forward Voltage (V)	5
Relative Luminous Flux vs Forward Current (mA) (T _j = 25°C)	6
Typical Spatial Radiation Pattern	6
Mechanical Dimensions	7
Tape and Reel	8
Dry Packaging and Packaging	9
Bin- and Order-Code Format	10

Flux Characteristics (T_v = 25°C) Red, Green, Blue and White (RGBW)

Product	Color Configuration	Min Luminous Flux (lm) @ 350 mA*		Dominant Wavelength (nm)			Order Code
		Kit Code	Flux (lm)	Kit Code	Min.	Max.	
MC-E Color (RGBW)	Red	A5	30.6	A	620	630	MCE4CT-A2-0000-00A5AAAA1
	Green		67.2	A	520	535	
	Blue		8.2	A	450	465	
	White**		95	A1	WG, WF, WC, WD		
	Red	A4	30.6	A	620	630	MCE4CT-A2-0000-00A4AAAB1
	Green		67.2	A	520	535	
	Blue		8.2	A	450	465	
	White**		80	B1	5A, 5B, 5C, 5D		

* Cree maintains a tolerance of $\pm 7\%$ on flux measurement.

** Chromaticity bins for white emitter:





Preliminary April 29, 2009

Characteristics - Per LED Die (T_j = 25°C)

The following table lists the product characteristics for each LED die within the XLamp MC-E Color (RGBW) LED package.

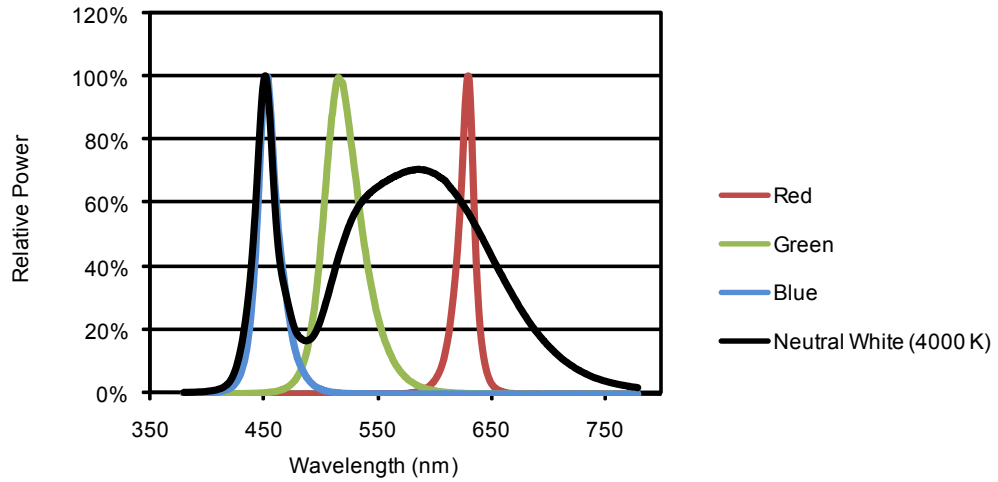
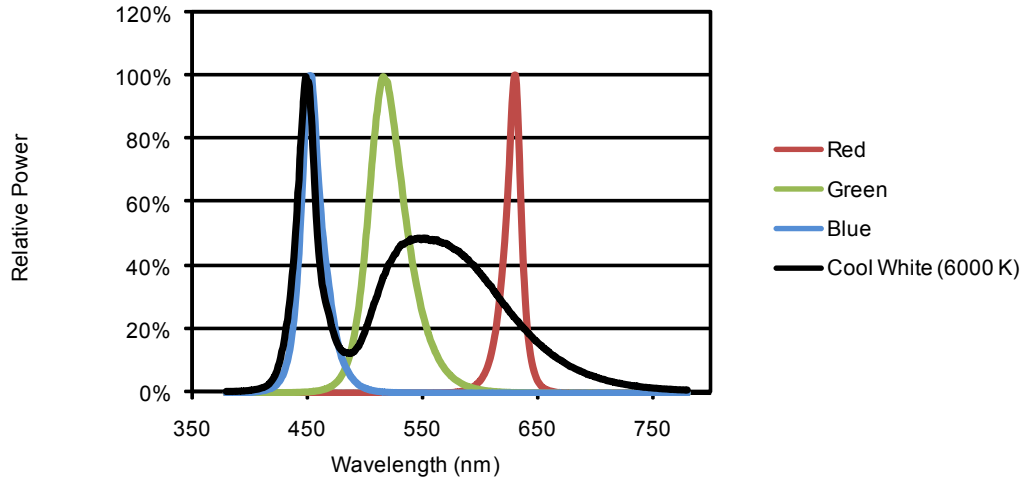
Characteristics	Unit		Red	Green	Blue	White	
Dominant wavelength	nm	Min.	620	520	450	Cool (WG, WF, WC, WD)	Neutral (5A, 5B, 5C, 5D)
		Max.	630	535	465		
V _F (I _F = 350 mA)	V	Typ	2.2	3.4	3.2	3.2	
		Max.	2.5	3.9	3.9	3.9	
Min. luminous flux (lm) @ 350 mA	lm	Per emitter	30.6	67.2	8.2	95	80
Max. driving current per emitter (target)	mA		700	700	700	700	

Characteristics - Complete Package

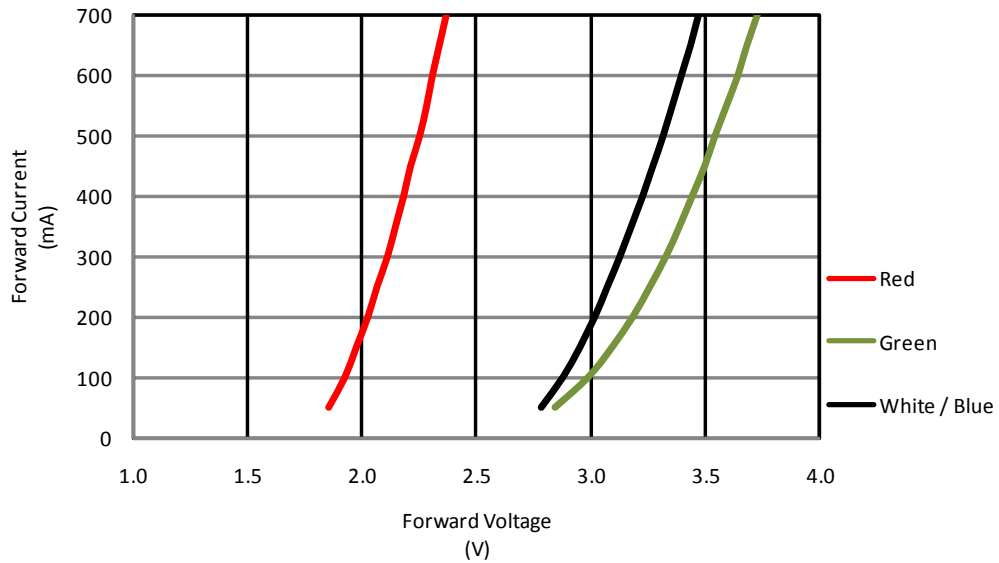
The following table lists the product characteristics for the XLamp MC-E Color (RGBW) LED package.

Characteristics	Unit	Minimum	Typical	Maximum
Thermal resistance	°C/W		3	
Viewing angle (FWHM)	degrees		115	

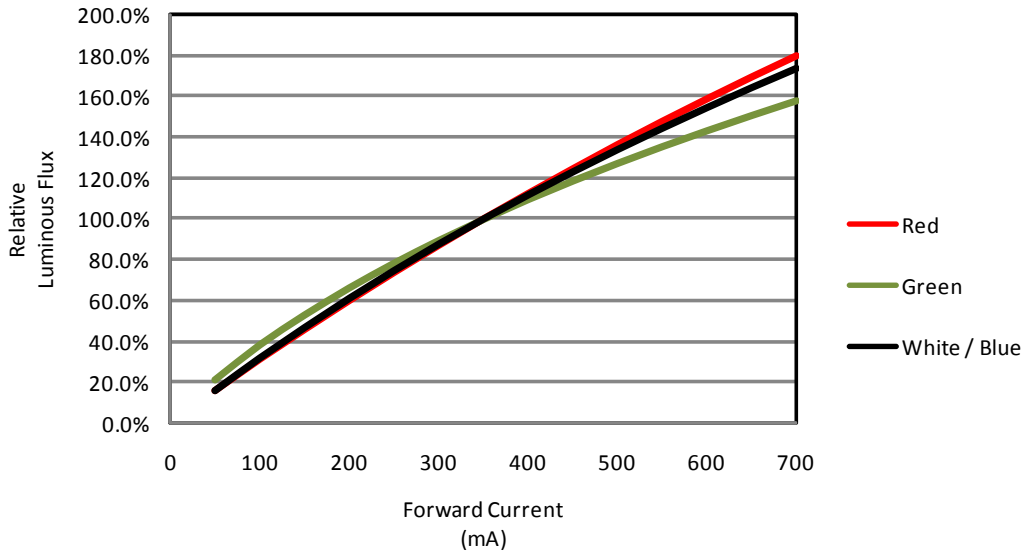
Relative Spectral Power per Emitter



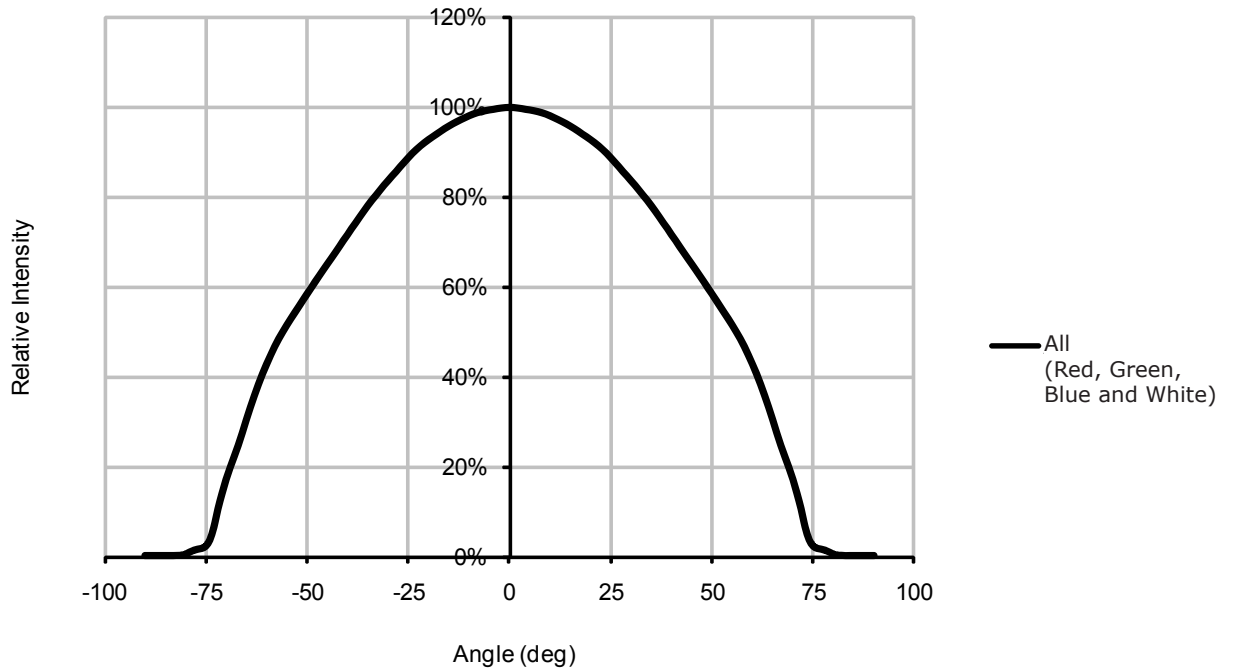
Forward Current (mA) vs Forward Voltage (V)



Relative Luminous Flux vs Forward Current (mA) ($T_j = 25^\circ\text{C}$)

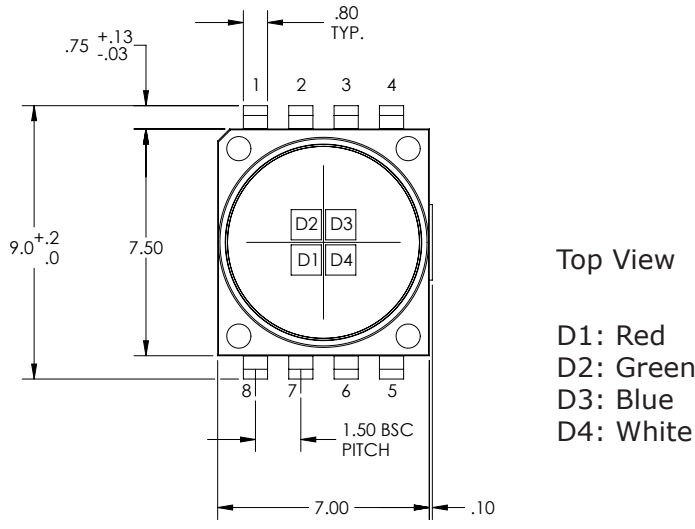
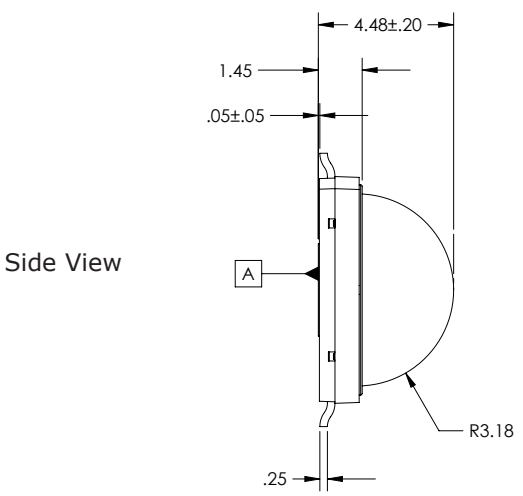
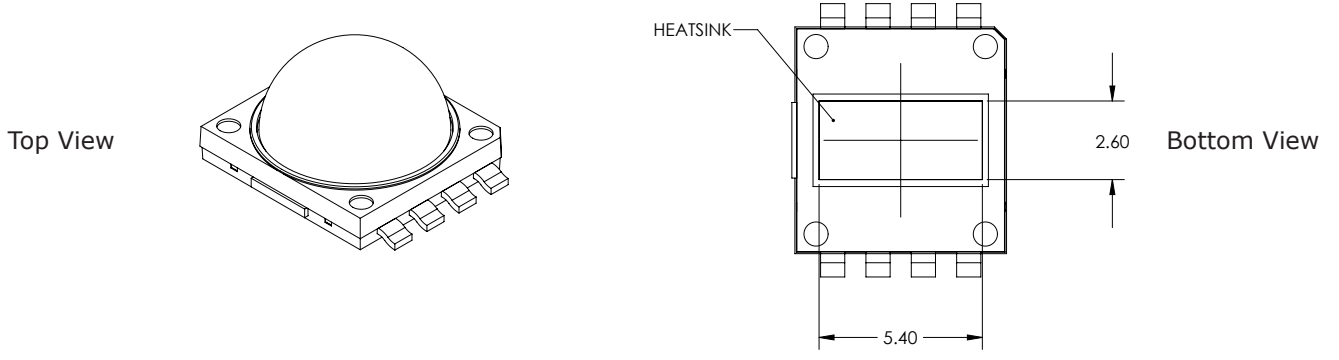


Typical Spatial Radiation Pattern

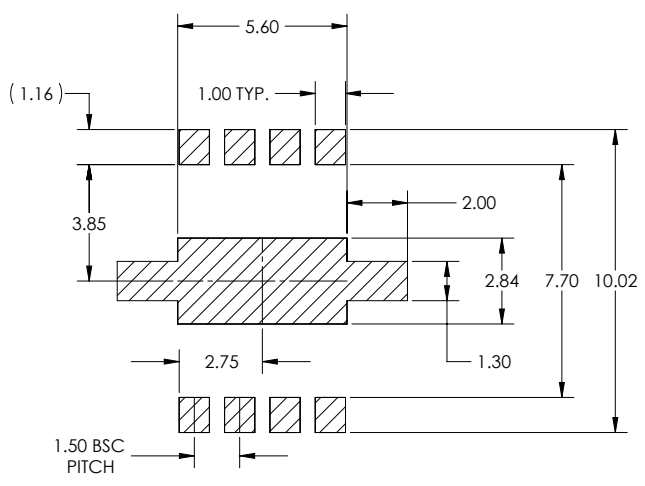


Mechanical Dimensions

All measurements are $\pm .1\text{mm}$ unless otherwise indicated.

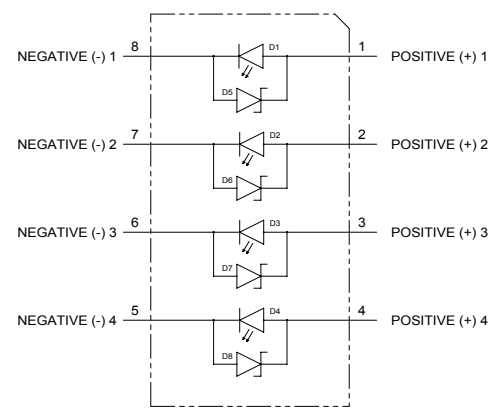


D1: Red
D2: Green
D3: Blue
D4: White



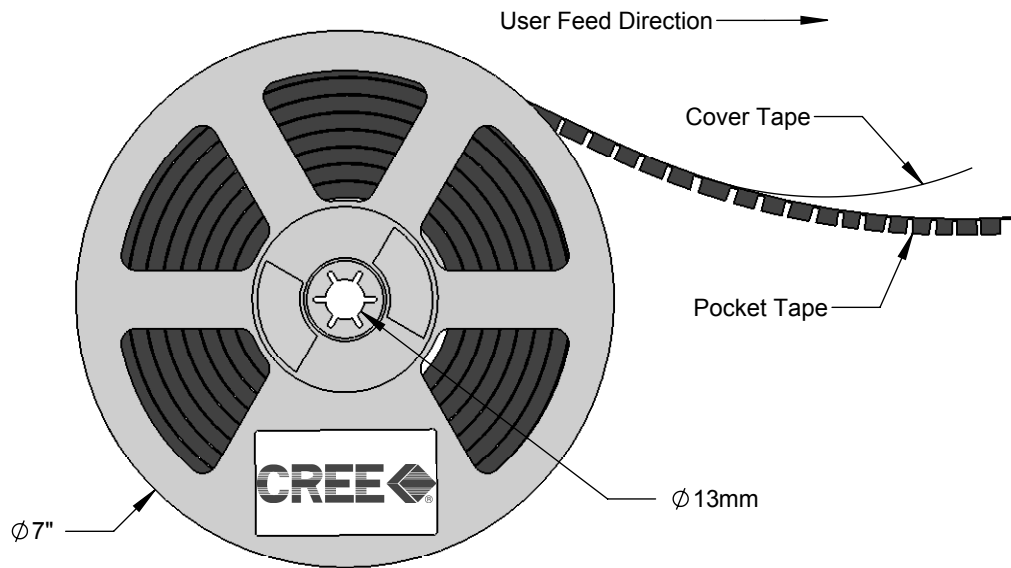
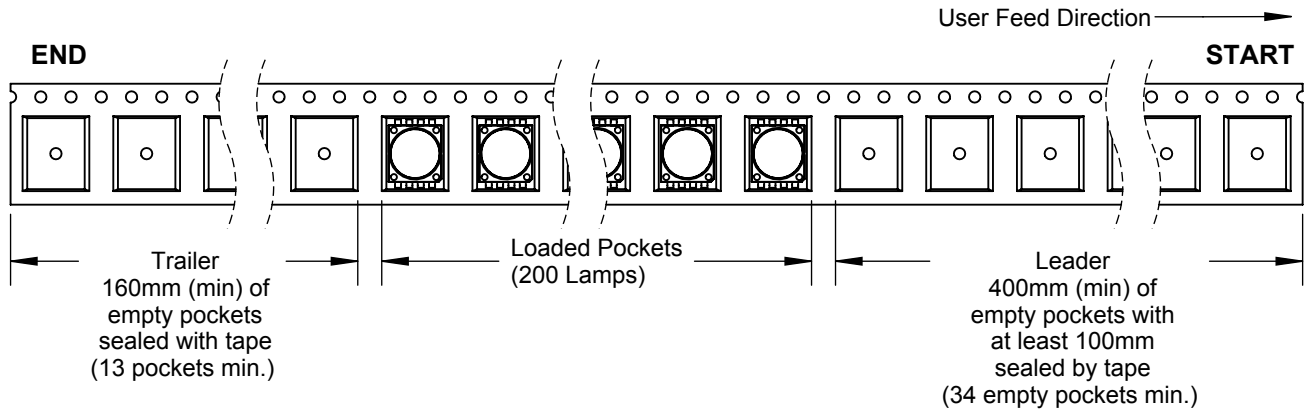
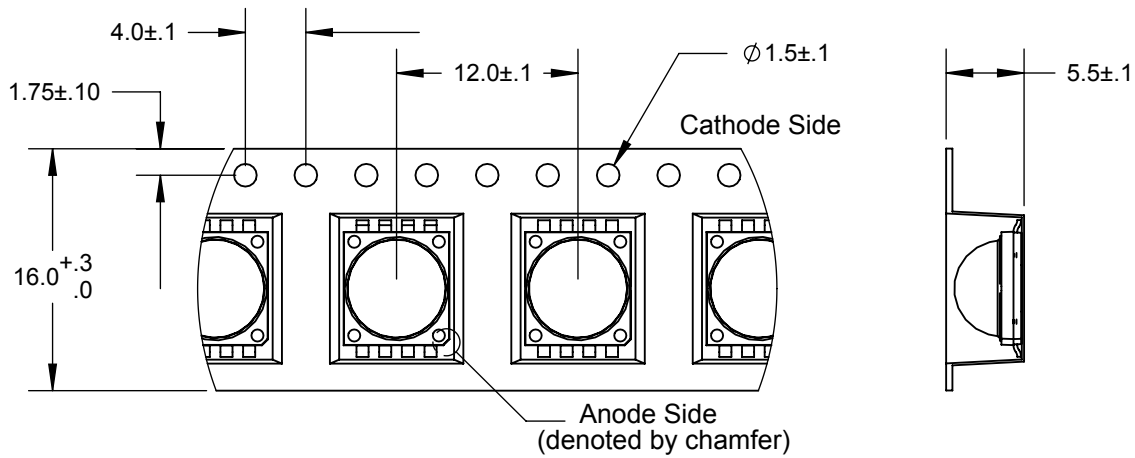
RECOMMENDED PCB SOLDER PAD

1. Tolerances: $\pm .10$
2. Solder mask windows must be $.05\text{ mm}$ bigger than PCB Solder Pad.

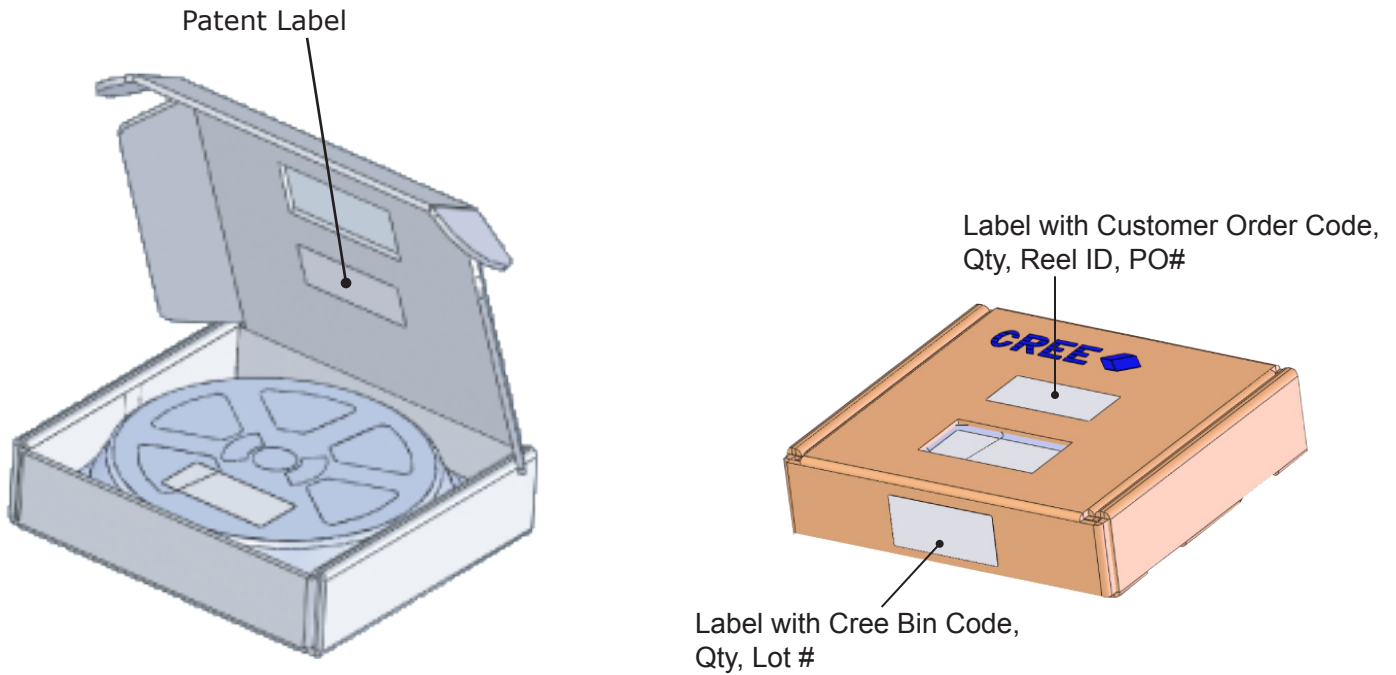
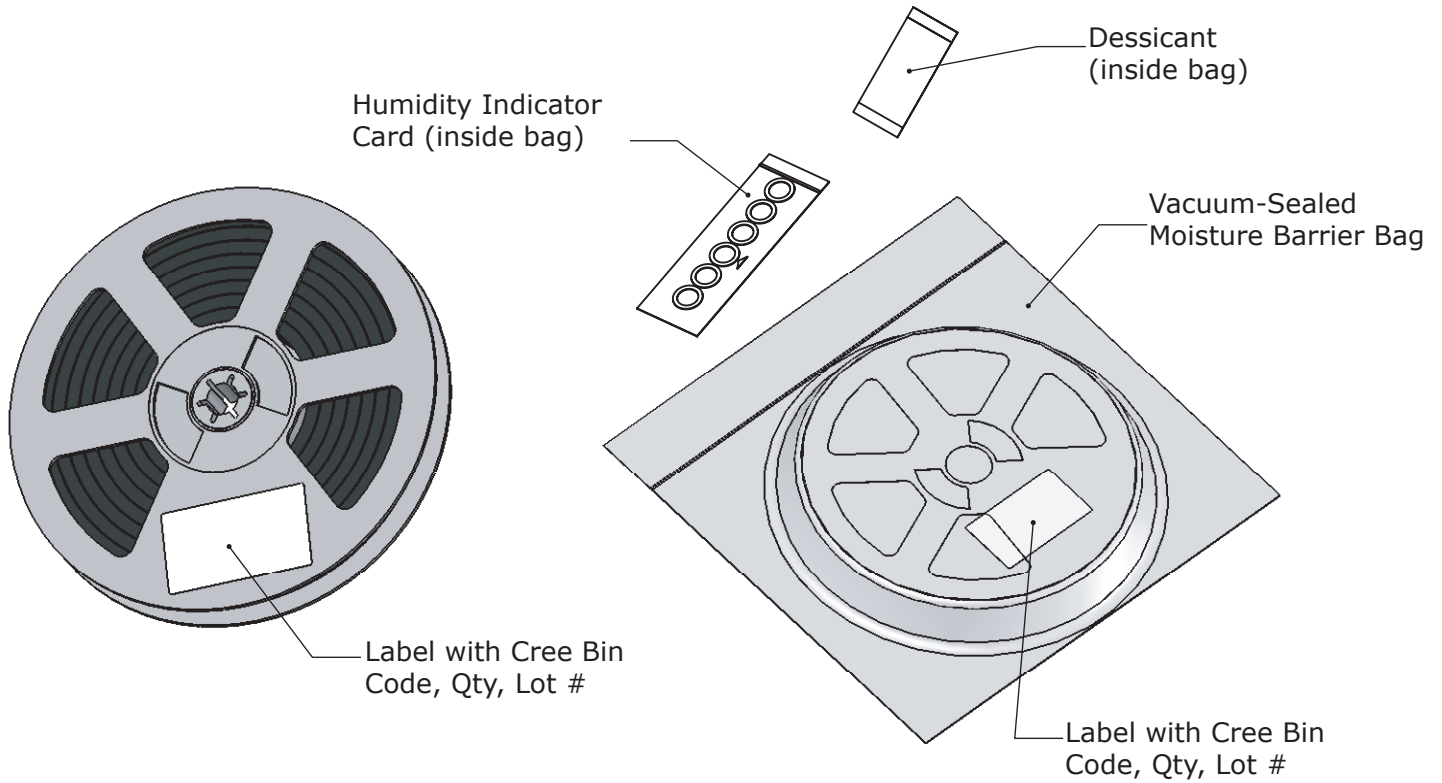


Tape and Reel

All measurements in mm.



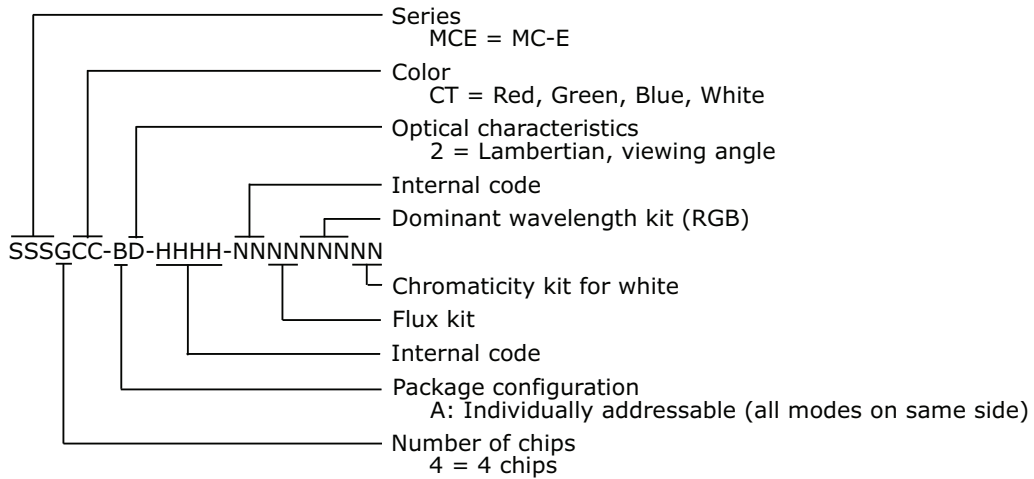
Dry Packaging and Packaging



Bin- and Order-Code Format

Bin codes and order codes are configured in the following manner:

Order Code



Bin Code

