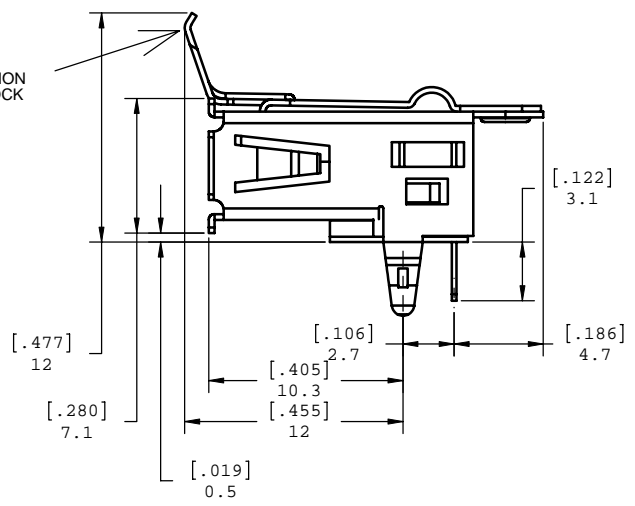
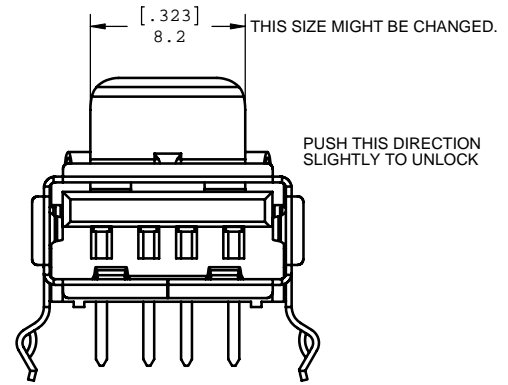
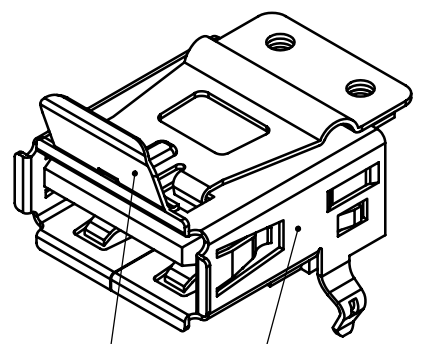
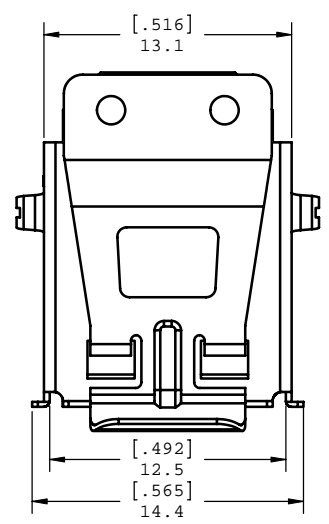


REV - DESCRIPT - DATE - APPRVD
A RELEASE OCT 19,07 - AG



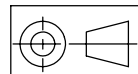
NOTES:

- MATERIAL:
  - SHELL OF USB RECEPTACLE: NICKEL PLATED COPPER ALLOY
  - HOUSING OF USB RECEPTACLE: HIGH TEMPERATURE THERMOPLASTIC, UL94V-0, COLOR - BLACK.
  - CONTACTS OF USB RECEPTACLE: PHOSPHOR BRONZE, PLATING: 0.76 MICRONS [30 MICRO"] GOLD, OVER NICKEL ON MATING AREA, TIN PLATING ON SOLDER TAILS.
  - LOCKING TAB: STAINLESS STEEL
- FEATURE: POSITIVE LOCK ON TYPE A, USB RIGHT ANGLE RECEPTACLE.
- LOCKING FORCE: MIN. 50 N.
- OPERATING TEMPERATURE: -40°C TO +85°C.
- ALL COMPONENTS AND MATERIALS USED FOR CONNECTOR AND PACKAGING ARE RoHS COMPLIANT PER EU DIRECTIVE 2002/95/EC AND AMENDMENTS.
- PART NUMBER FOR ORDER IS LUSB-A111-00.
- SEE PAGE 2 OF 2 FOR PCB LAY-OUT AND PANEL CUT-OUT.

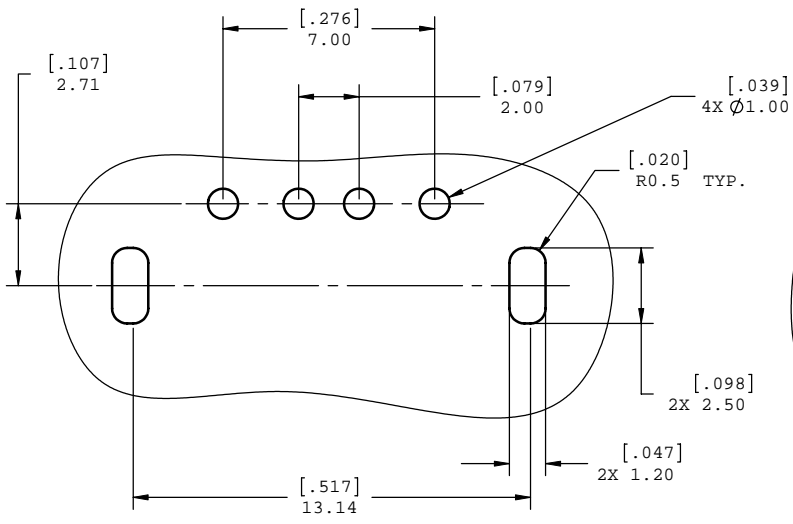


UNLESS OTHERWISE SPECIFIED DIMENSIONS ARE IN MILLIMETER TOLERANCES ARE:  DECIMALS                      ANGLES .XX ±.10                            ± 1° .X    ±.25	APPROVALS	DATE	<b>Amphenol Canada Corp.</b>		
	DRAWN LAWRENCE KIM	OCT19,07			
MATERIAL AND FINISH	DESIGNED LAWRENCE KIM	OCT19,07	TITLE USB A TYPE RECEPTACLE WITH POSITIVE LOCKING TAB RIGHT ANGLE TYPE		
	CHECKED				
REF.	QA APP'D		SIZE	DWG. NO.	REV.
	CODE IDENT. NO.	DWG APP'D A.GREEN	C	P-LUSB-A111-00	A
		OCT19,07	SCALE	PROJECT	SHEET
			4:1	LUSB	1 OF 2

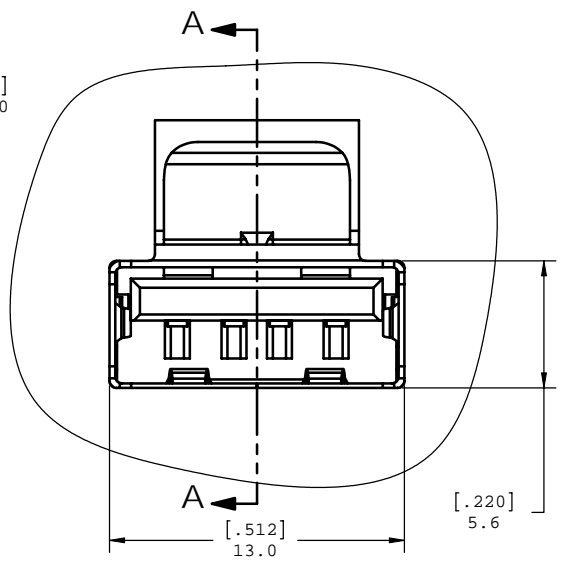
DO NOT SCALE DRAWING  
THIS DOCUMENT CONTAINS PROPRIETARY INFORMATION AND SUCH INFORMATION MAY NOT BE DISCLOSED TO OTHERS FOR ANY PURPOSE OR USED FOR MANUFACTURING PURPOSES WITHOUT PERMISSION FROM AMPHENOL CANADA CORP.



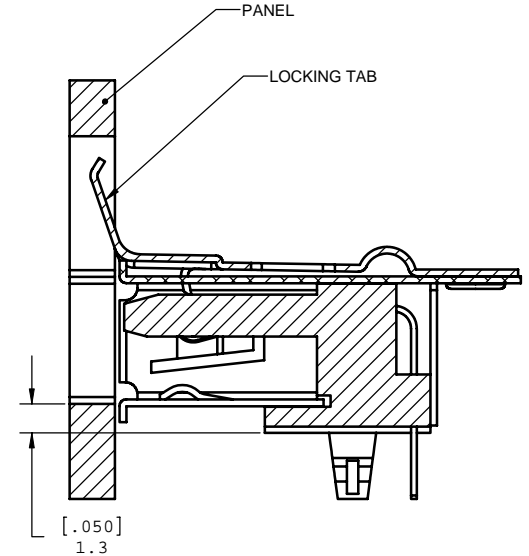
REV - DESCRIPT - DATE - APPRVD
A RELEASE OCT 19,07 - AG



**RECOMMENDED PCB LAY-OUT**



**RECOMMENDED PANEL CUT-OUT**



SECTION A-A  
SCALE 6:1



UNLESS OTHERWISE SPECIFIED DIMENSIONS ARE IN MILLIMETER TOLERANCES ARE:		APPROVALS	DATE	<b>Amphenol Canada Corp.</b>	
DECIMALS                      ANGLES		DRAWN	OCT19,07		
.XX ±.10		LAWRENCE KIM		TITLE <b>USB A TYPE RECEPTACLE WITH POSITIVE LOCKING TAB RIGHT ANGLE TYPE</b>	
.X ±.25		DESIGNED	OCT19,07		
MATERIAL AND FINISH		LAWRENCE KIM		SIZE C	
		CHECKED			
REF.		QA APP'D		DWG. NO. P-LUSB-A111-00	
CODE IDENT. NO.		IE APP'D		REV. A	
		DWG APP'D	OCT19,07	SCALE 5:1	SHEET 2 OF 2
		A.GREEN		PROJECT LUSB	

DO NOT SCALE DRAWING  
THIS DOCUMENT CONTAINS PROPRIETARY INFORMATION AND SUCH INFORMATION MAY NOT BE DISCLOSED TO OTHERS FOR ANY PURPOSE OR USED FOR MANUFACTURING PURPOSES WITHOUT PERMISSION FROM AMPHENOL CANADA CORP.

