

Blue PVC, with date code  
(蓝色PVC, 表面喷码)

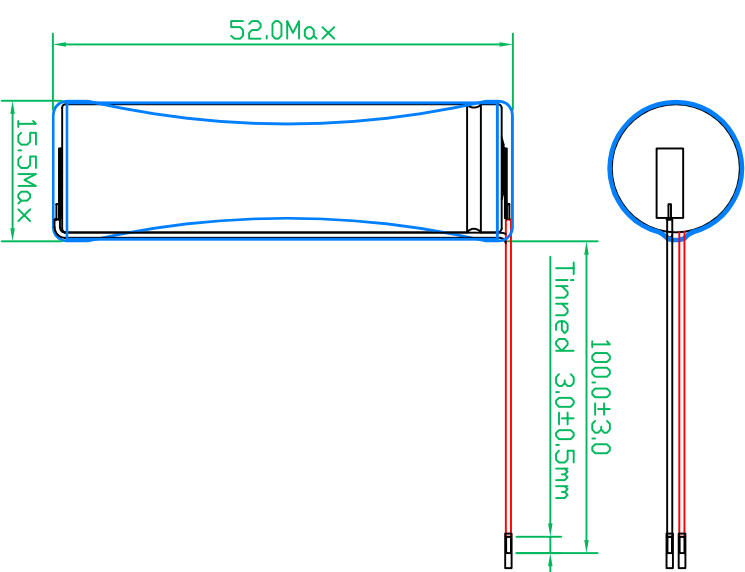
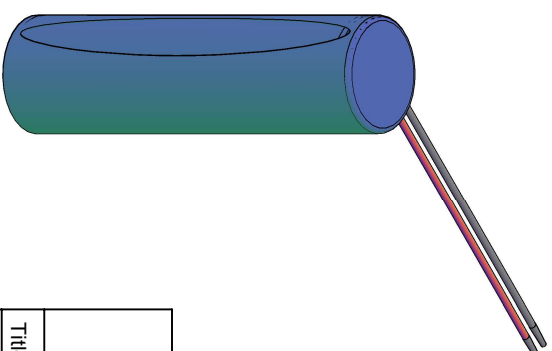
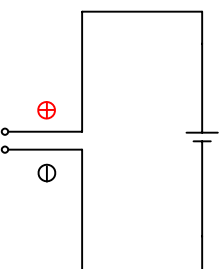
Cell(电芯):LIR14500,  
Blue PVC, with date code  
(包蓝色PVC, 表面喷码)

Adhesive tape  
(绝缘胶布)

Wire引线:red红(+) UL 1007 AWG24

Wire引线:black黑(-) UL 1007 AWG24

Circuit diagram



Remark(备注):

1. Pack :3.7V 750mAh, safety circuit and wires, Blue PVC, with date code  
电池包:3.7V 750mAh. 保护电路及输出引线, 包蓝色PVC, 表面喷码
2. RoHS Compliant.  
严格按照RoHS要求生产.

		Drawn:	ZS	Revise No.:	E4-2009
		Checked 1:	Group24	Projection:	
Title	LIR14500-LD	Checked 2:		Page:	1/1
File NO.	A21850	Approved:		Scale:	1:2 : 1
		Draw Date:	2012/1/10/29	Unit:	mm