

Parameters:

Name: Ship type switch

Model: KCD4

Electrical life: 10,000 times or more

Product power: 2000W

Rated current: 16A/20A

Rated voltage: 125V/250V

Contact resistance $\leq 50\text{m}\Omega$

Insulation resistance $\geq 100\text{m}\Omega$

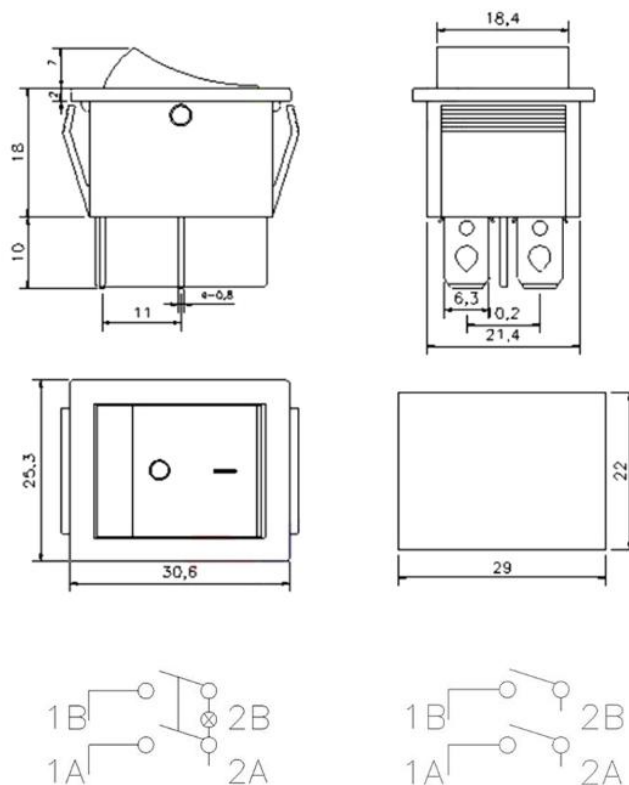
Dielectric strength $\geq 1500\text{V AC/1min}$

Material: flame retardant shell steel foot silver point

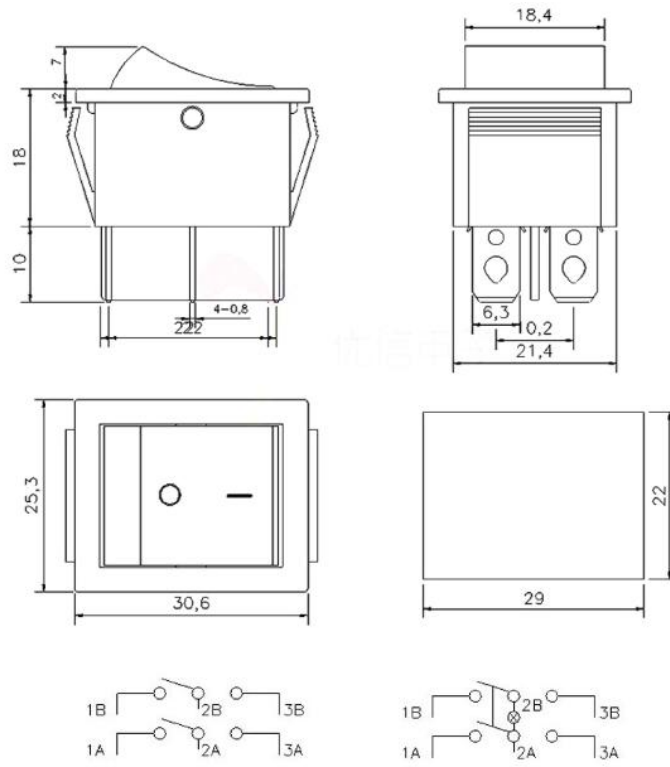
Product range:

Rocker switches are used in water dispensers, treadmills, computer speakers, battery cars, motorcycles, massage machines, toy cars, and some electronic equipment power switches

2 position 4pins



2 position 6pins



3 position 6pins

