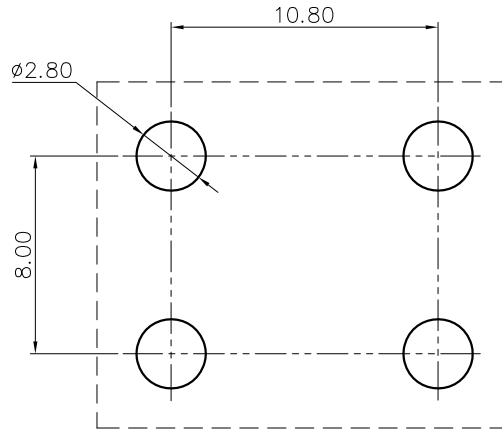
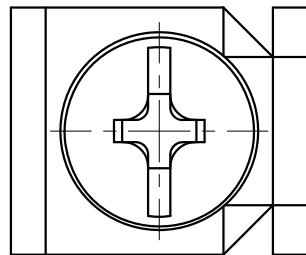


REVISION RECORD

REV	ECN	DESCRIPTION	DRFT	DATE
-----	-----	-------------	------	------



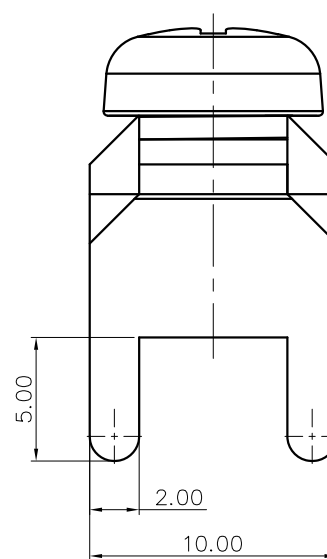
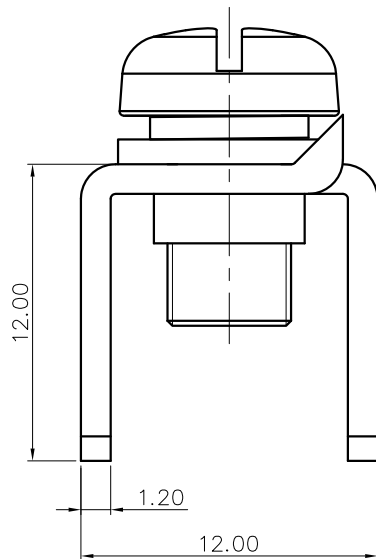
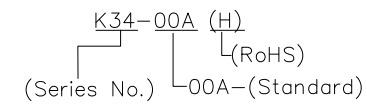
PCB LAYOUT

NOTES:

- UL Standard
- 1.Rated Current: 65A
- 2.Torque Value : M5 , 17.54Lb.in
- 3.Dimension shall be interpreted per ASME Y14.5-2009
- 4.Undimensioned tolerances:

Pitch range in mm		Nominal dimension range in mm				Tolerance	
TO	Over	TO	Over	TO	Over	TO	Over
6	10	30	60	100	150	0.1/10	
6	10	24	30	60	100	<	
± 0.15	± 0.20	± 0.30	± 0.30	± 0.50	± 0.70	± 1.00	± 1.30
							$\pm 2'$

5.RoHS Compliance



DETACHED LISTS	PART NO.:	/			
	APPD:	/			
	CHKD:	/			
	DRFT:	/			
	 THIRD ANGLE PROJECTION		 DO NOT SCALE DRAWING		TITLE: CUSTOMER DRAWING
DRAWING NO.: /		REV: /	DO: /	SHEET: 1/1	
		SCALE: 1:1			

宁波高松电子有限公司
 NINGBO DEGSON ELECTRICAL CO., LTD

K34-00A(H)