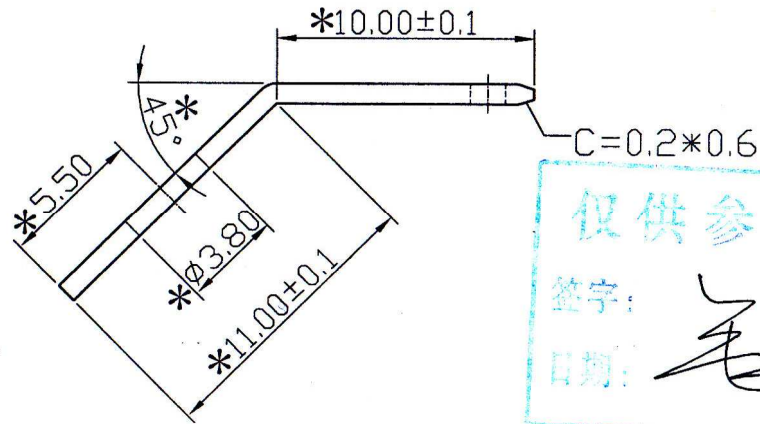
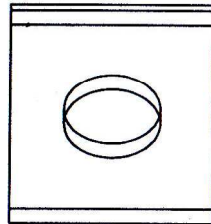
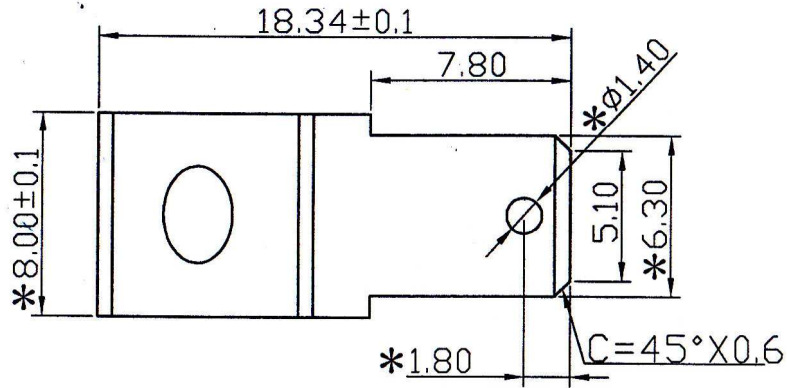
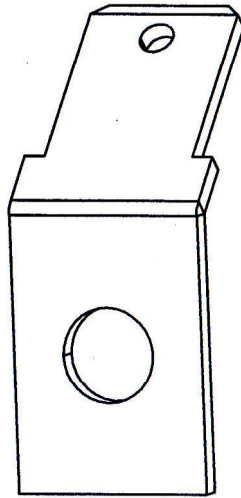


REVISION RECORD				
REV	ECD	DESCRIPTION	DRFT	DATE



仅供参考图
 签字: [Signature]
 日期: 3/27-15

Note:
 1. Material: brass, T=0.8mm;
 2. Plating: Tin Plated,

ITEM	NAME OF PART	NO. OF PART	Q'TY	MATERIAL	NOTES
1					
<small>MM (INCH)</small> <small>TOLERANCES EXCEPT AS NOTED</small> .0 ± 0.1 ± .00 ± 0.05 ± .000 ± 0.01 ±		<small>DATE</small> 07/02/04" <small>DATE</small> 3/11-15 <small>DATE</small>	宁波高正电子有限公司 DEGSON® DEGSOON ELECTRONICS CO., LTD		
<small>ANGLES ± 1°</small> THIRD ANGLE PROJECTION		<small>APPVL</small> <small>DATE</small>	NAME: K21 DRAWING NO. K21-M01 /PART NO.		
<small>FINISH:</small> SCALE: 1:1		DD NOT SCALE DRAWING		SIZE: A3 REV: T1 10/19/05	SHEET 1 OF 1