

## Standard Din-rail Enclosure

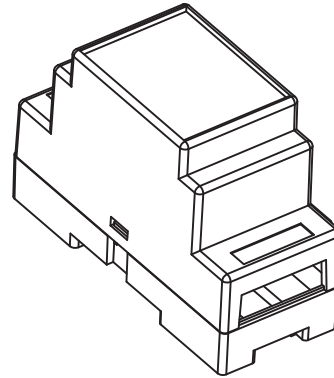
KLS24-JG4-01-2 88\*37\*59mm Standard rail Enclosure

### Note:

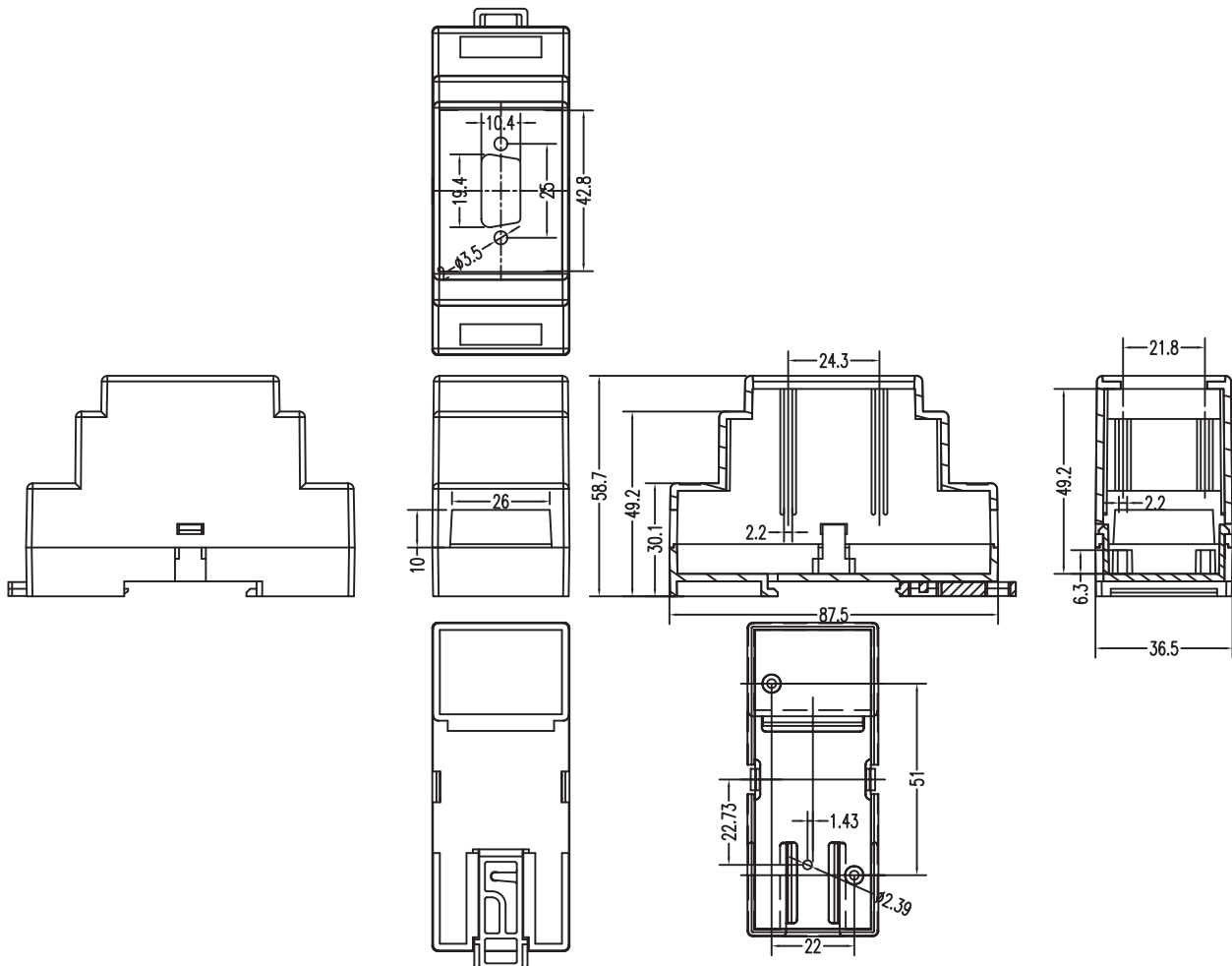
Product Material:ABS  
Surface Treatment:Smooth

### Product Description:

- \* Product is suitable for the power module box, collector, transmitter, transducer transmitter signal isolation and other
- \* Product Standard accessories: cover, base, red retainer 1
- \* Box body with the hook connection, tool-free installation
- \* Both sides of the product can be equipped with plug-in terminal pitch 5.08 unilateral 5, a total of 10
- \* Fast and simple standard 35 rail fixing
- \* Color and villages bulk material can be customized
- \* Product cover may require modification



I



## ORDER INFORMATION

Product NO.: KLS24-JG4-01-2

Pos. NO.

No.