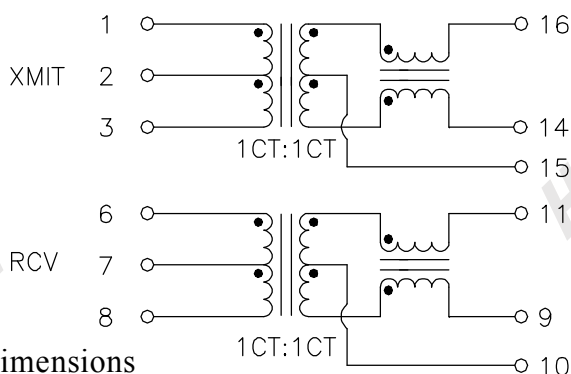


**HY601680**

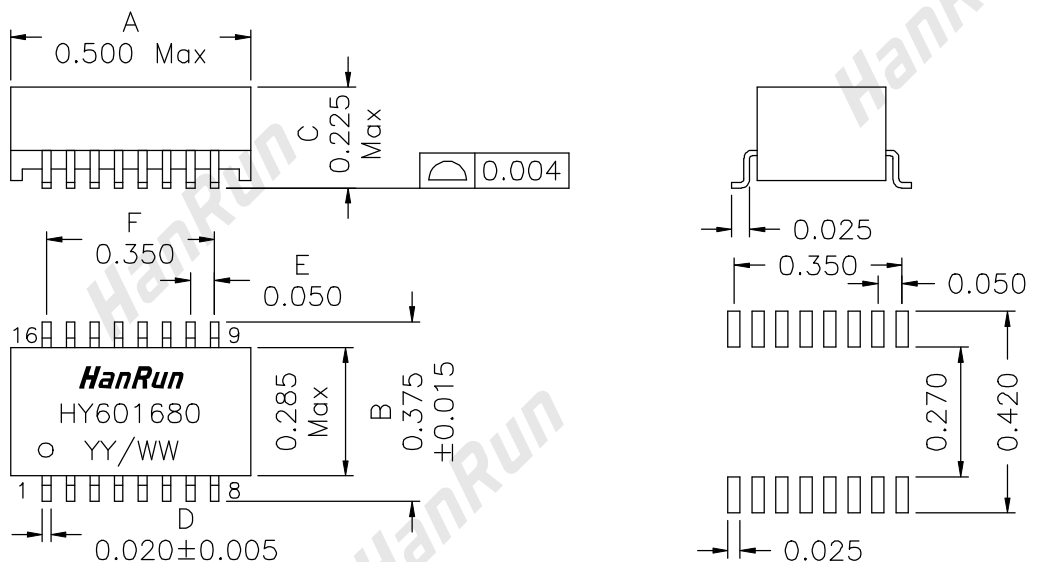
**Electrical Specification @25°C**

RoHS Compliant (Pb Free)  
 Operating Temperature Range: 0°C ~ +70°C  
 Isolation: 1500Vrms 0.5mA 60sec (Primary to Secondary)  
 Meets or Exceeds IEEE802.3 standards including 350uH Min OCL with 8mADC  
 Insertion Loss: -1.1dB Maximum @300KHz ~ 100MHz  
 Return Loss: -20dB Typical @30MHz / -14dB Typical @60MHz  
                   -11.5dB Minimum @80MHz  
 Different to Common Mode Rejection: -37dB Typical @30MHz ~ 50MHz  
   -30dB Typical @100MHz  
 Crosstalk: -45dB Typical @1MHz ~ 30MHz / -35dB Typical @60MHz ~ 100MHz

**Schematics**



**Mechanical Dimensions**



Case material: DAP

Dimensions in inches, Unless otherwise specified, Tol.: .xxx ±0.010

Solderability: Dipped in 240±5°C molten solder for 3±0.5 seconds, 95% minimum, shall be smooth and bright.

REV.: B/3

1 of 1