

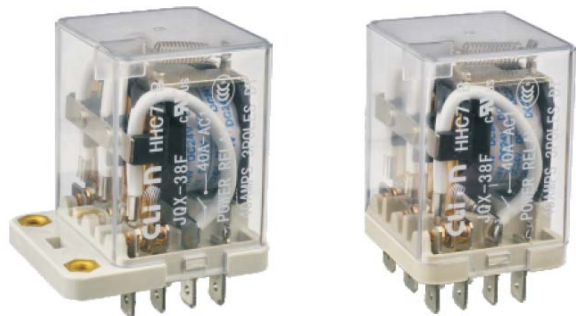


Industrial & Electrical Components

Power Relay

Part No.

JQX-38F



- Easy to install.
- Long service life.
- Wide application.
- Switching capacity up to 40A.

CONTACT

Arrangement	2 H, 2B, 2Z, 3H, 3B, 3Z.
Contact Material	Silver Alloy
Contact Resistance	
(By voltage drop 6V 1A)	Max.100mΩ
Rating	
Resistive load	30A 28VDC ,250VAC
(Cos.φ=1)	40A 28VDC ,250VAC
Motor Inrush	
Max. Allowable Voltage	28VDC 250VAC
Max. Allowable Current	40A
Max. Allowable Power	840W 7500VA(30A),1120W 10KVA(40A),
Service life	
Electrical	10 ⁵
Mechanical	10 ⁷

CHARACTERISTICS

Operate Time	Max.25ms
Release Time	Max.15ms
Dielectric Strength	
Between contacts	1500VAC/1Min(at 1mA,50 Hz)
Between contact and coil	2500VAC/1Min(at 1mA,50 Hz)
Insulation Resistance	Min.500MΩ (500 VDC)
Ambient temperature	-25 ~ +55℃
Humidity	45%~75%
Shock Resistance	10G 11ms
Vibration Resistance	10 ~ 55 Hz D.A. of 1.0mm
Unit Weight	130g

ORDERING INFORMATION

e.g

HHC71B(JQX-38F) - 3Z - 12VDC

①

②

③

④

- ① Series : Power relays series
- ② Part No. : HHC71B(JQX-38F)
- ③ Contact Arrangement : 2 H, 2B, 2Z, 3H, 3B, 3Z.
- ④ Coil Rated Voltage(V) : DC : 6, 9, 12, 24,36,48,110,220.
AC : 6, 9, 12, 24,36,48,110,220,380.

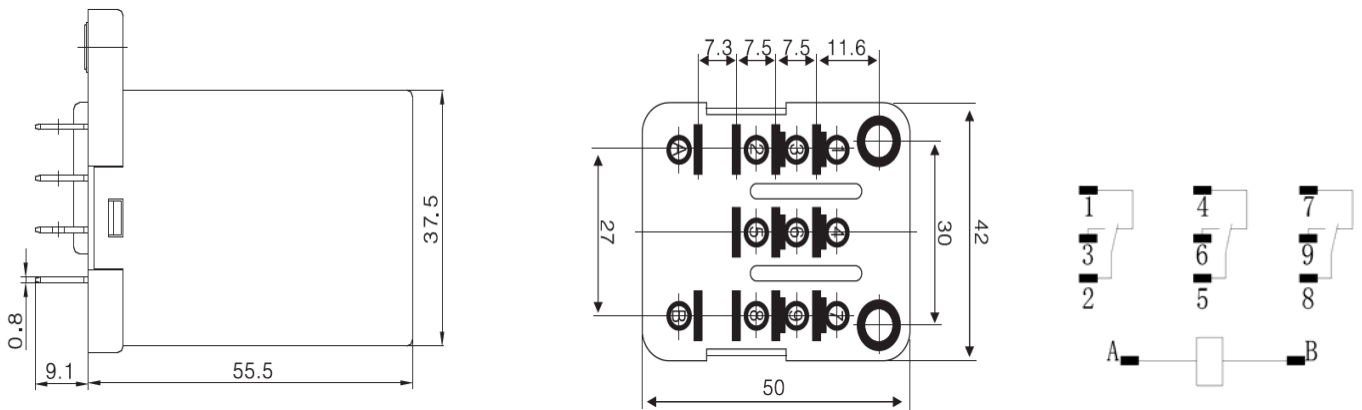
COIL DATA

Nomina lVoltage (VDC)	Pick-up Voltage VDC(Max)	Drop-out Voltage VDC(Min)	Coil Resistance (Ω) \pm 10% (Coil power:2.5W)	Max.Allowable(110%) Voltage
6	4.5	0.6	14.4	6.6
9	6.8	0.9	32.4	9.9
12	9.0	1.2	57.6	13.2
24	18.0	2.4	230.4	26.4
48	36.0	4.8	921.6	52.8
110	82.5	11.0	4840.0	121
220	165.0	22	19360.0	242

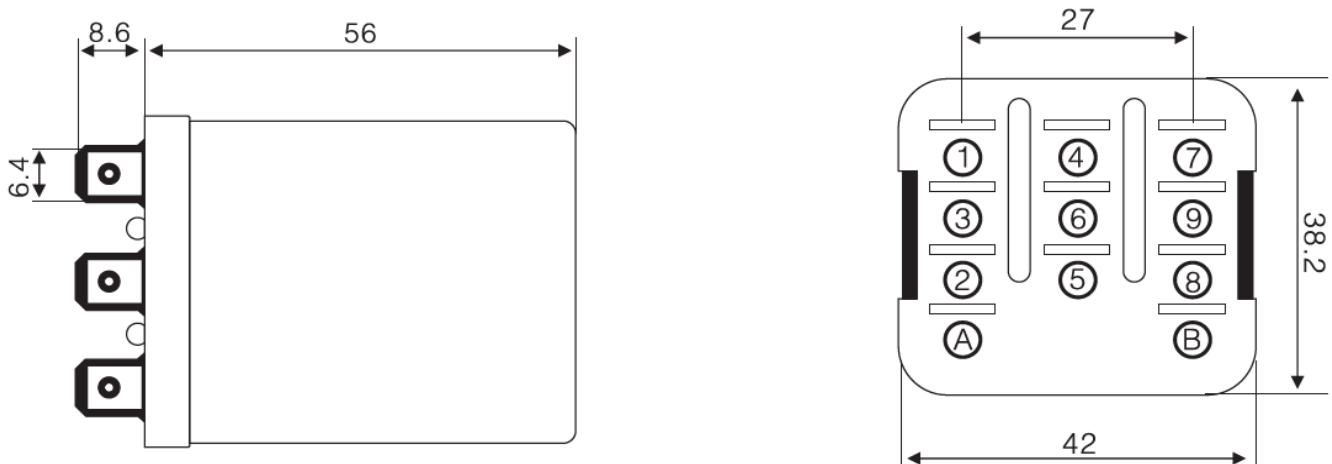
Nomina lVoltage (VAC)	Pick-up Voltage VAC(Max)	Drop-out Voltage VAC(Min)	Coil Resistance (Ω) \pm 10% (Coil power:6VA)	Max.Allowable(110%) Voltage
6	4.8	1.8	2.1	6.6
9	7.2	2.7	4.7	9.9
12	9.6	3.6	8.4	13.2
24	19.2	7.2	33.6	26.4
48	38.4	14.4	134	52.8
110	88.0	33.0	706	121
220	176.0	66.0	2823	242
380	304.0	114.0	8423	418

DIMENSIONS (Unit: mm)

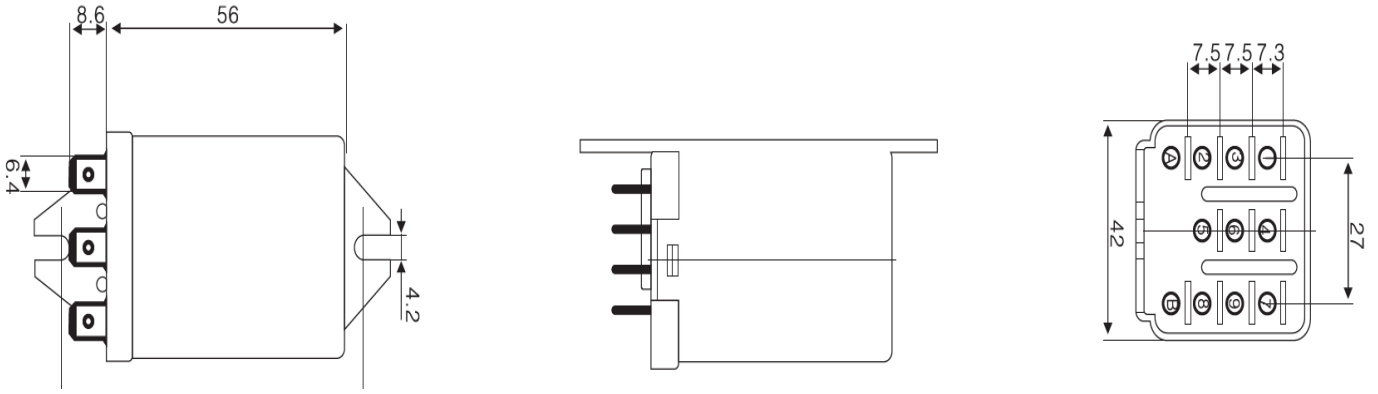
1.The base with 2 mounting screws holes and with plain cover.



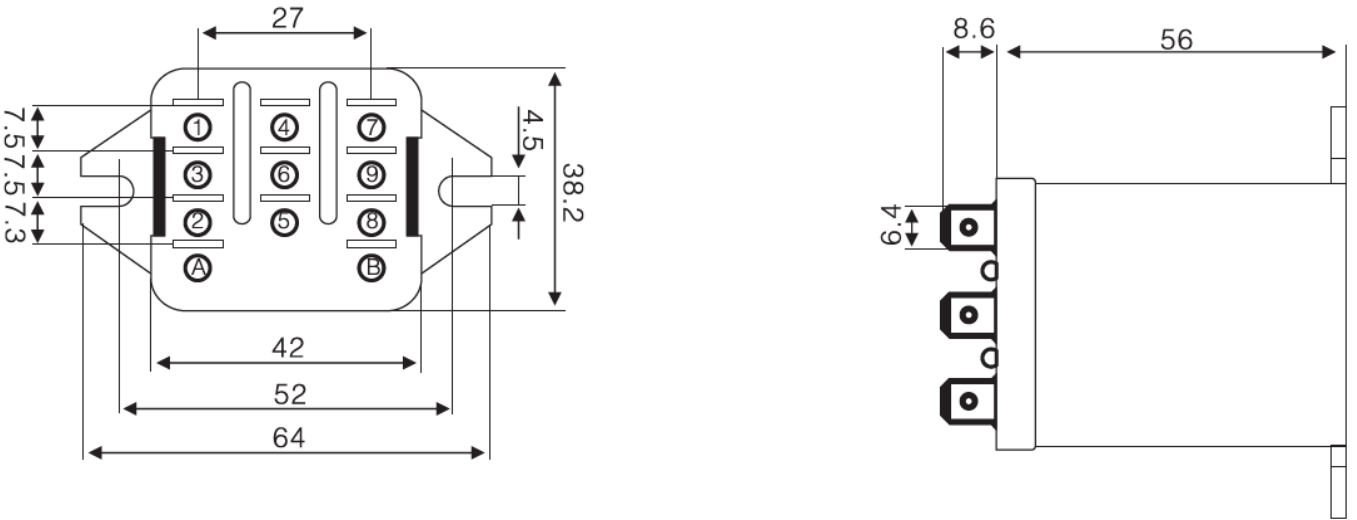
2.The base without 2 mounting screws holes and with plain cover.



3.The base without 2 mounting screws holes and with side flange cover.



4.The base without 2 mounting screws holes and with top flange cover.



PERFORMANCE CURVE :

