



HDMI Connector Series

KLS1-283 HDMI Female Vertical SMT 3Posts, With Ear

MATERIAL

- Housing : LCP, UL 94V-0, Black
- Cover : LCP, UL 94V-0
- Terminal: Phosphor Bronze
- Shell: Brass/SPCC
- Contact Finish : 30u" Gold On Mating End, Tin On Termination End,
With Entire Contact Nickel Underplated.
- Shell-Copper Alloy, Nickel Plated

ELECTRICAL

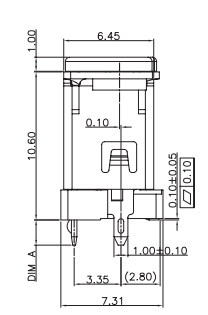
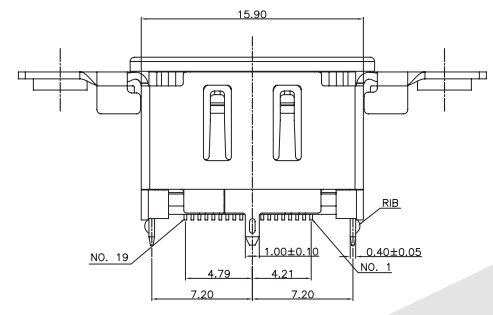
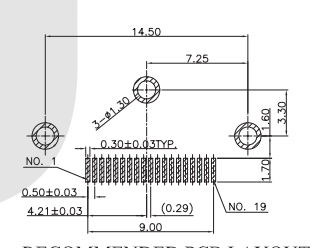
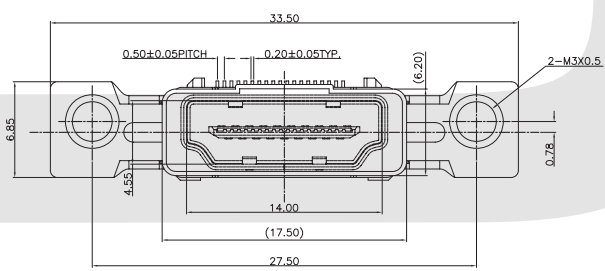
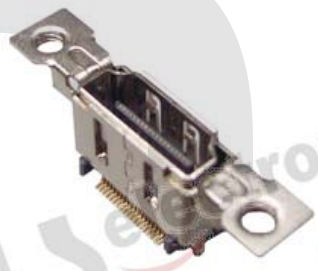
- Current Rating : 0.5A
- Dielectric Withstanding Voltage : 40V AC Per Minute
- Insulation Resistance : 100MΩ MIN
- Contact Resistance : 30MΩ MAX
- Operating Temperature : -25°C ~ +85°C

MECHANICAL

- Insertion Force: 44.1 N Max.
- Withdraw Force: 9.8 N Min.

Feature

- 1.HDMI is the first industry-supported, uncompressed, all-digital audio/video interface.
- 2.HDMI provides an interface between any audio/video source.
- 3.HDMI supports standard, enhanced, or high-definition video, plus multi-channel digital audio on a single cable.
- 4.It transmits all ATSC HDTV standards and supports 8-channel digital audio, with bandwidth to spare to accommodate future enhancements and requirements.
- 5.HDMI is full backward-compatible with DVI that handles digital transfers at rates up to 5 Gbps !



ORDER INFORMATION

Product NO.: KLS1 - 283 - 19 - 2 1 X X A

- | | |
|-----------------------------------|---|
| Pos. NO. | Shell Leg Length Code: |
| Product Kind | A: DIM A = 1.9mm B: DIM A = 2.4mm |
| Pin Number | Terminal Plate: 1 = 1U" 3 = 3U" 5 = 5U" |
| Type: 1=Male 2= Female | 10 = 10U" 15 = 15U" 30 = 30U" |
| Shell Material: 1=Brass
2=SPCC | Shell Plate: N=Nickel 1=1U" 3=3U" |