

1

2

3

4

5

6

A

A

B

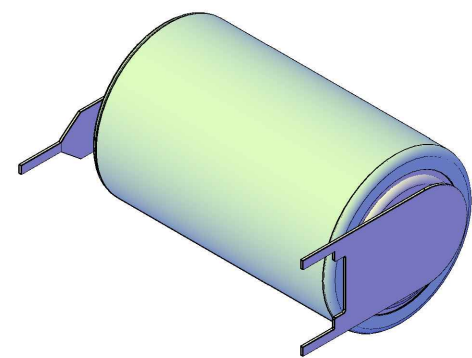
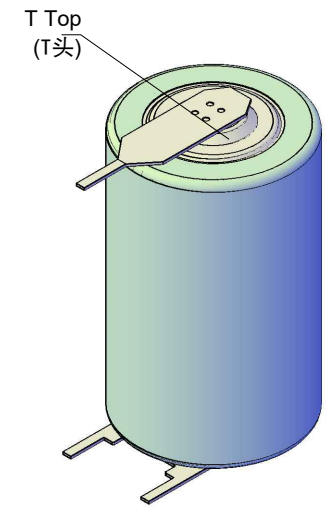
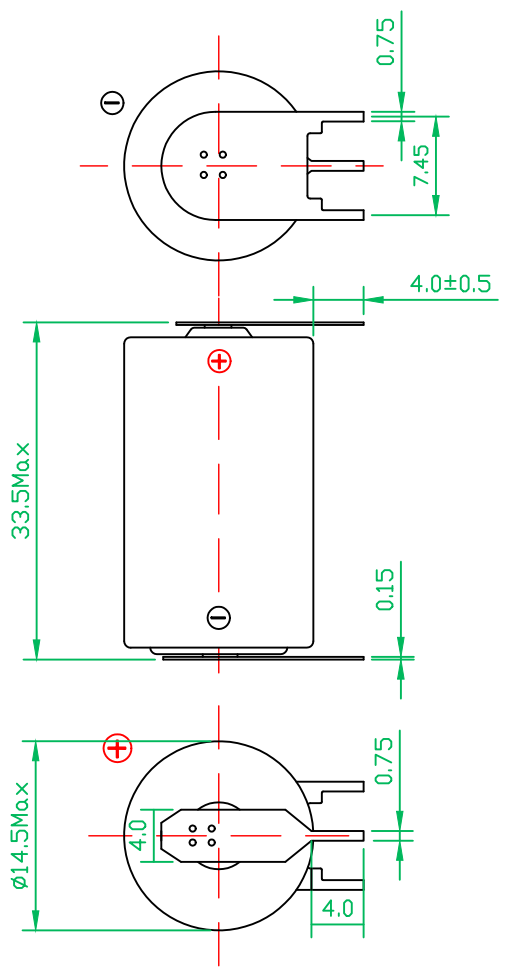
B

C

C

D

D



Remark(备注):

1. Cell(电芯): 3.6V 1650mAh.EEMB PVC,with date code(包EEMB PVC, 表面喷码)
2. Positive/Negative terminal: Stainless steel plated with nickel  
正/负极焊片材质: 不锈钢镀镍
3. RoHS Compliant  
严格按照ROHS要求生产

		Drawn:	YanF	Revise No.:	E4-2009
		Group:	Group1	Projection:	
		Approved1:		Page:	1/1
Title	ER14335-VX	Approved2:		Scale:	1.8 : 1
File NO.	A20902	Draw Date:	2020/11/11	Unit:	mm