

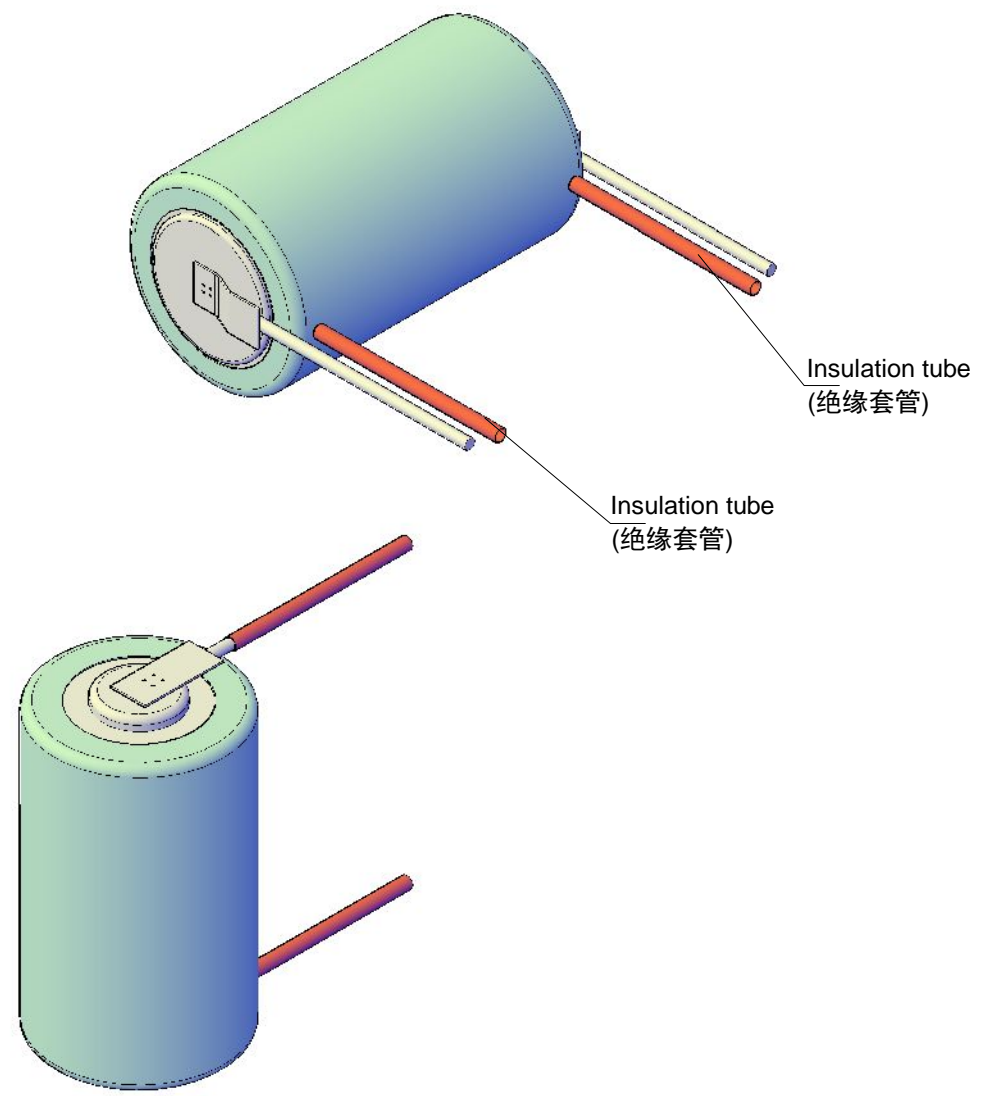
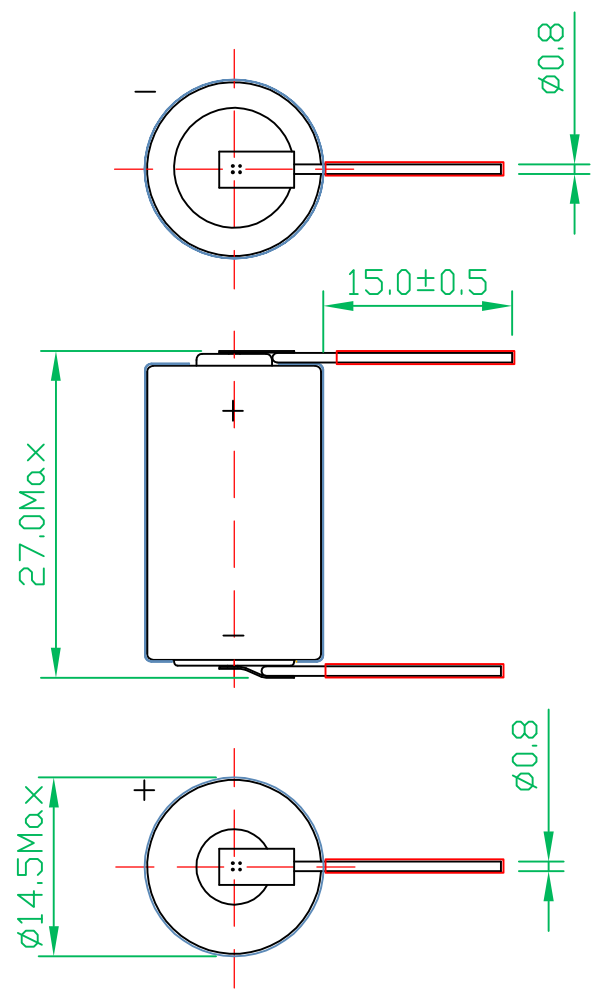
1 2 3 4 5 6

A

B

C

D



Remark(备注):

1. Cell(电芯): 3.6V 1200mAh.EEMB PVC,with date code(包EEMB品牌PVC '表面喷码)
2. +/- Axial pin: Nickel weld first and then axialpin.  
正/负极轴向引线材质: 铜镀镍(先点镍带再焊引线)
3. RoHS Compliant  
严格按照ROHS要求生产

		Drawn:	YanF	Revise No.:	E4-2009
		Checked 1:	Maria	Projection:	
Title ER14250-AV File NO. A14627		Checked 2:		Page:	1/1
		Approved:		Scale:	1 : 1
		Draw Date:	2017/09/19	Unit:	mm

1 2 3 4 5 6