

## ELP06-12PS

Elektronic LED Power Supply

12VDC 0,5A 0...6W

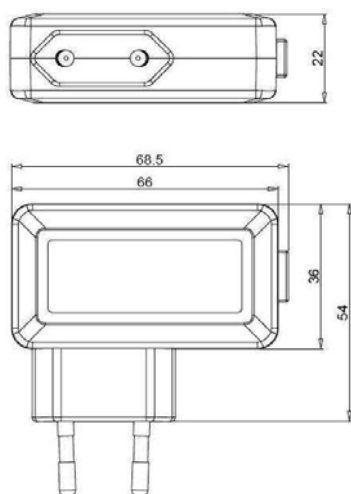
IP20



### I. Technical Data

Allgemein	
Input voltage:	220...240V AC
Input current:	50mA (max.)
Frequency:	50/60Hz
Output current:	0,5A
Output voltage:	12VDC
Load:	0...6W
Power factor:	≥0,7 (@25°C with full load)
Efficiency:	≥73,5% (@25°C with full load)
No-load loss:	≤ 0,3W
Reliability (MTBF):	≥30000 hours (@ 25°C with full load)
Ambient temperature:	-20°C...45°C
Surface temperature:	75°C (max.)
Dimmable:	No
Sicherheit und Schutz	
Protection class:	IP20
Isolation class:	Class II, SELV
Over temperature protection:	integrated, automatic resettable after temperature descending
Short circuit protection:	integrated, automatic resettable after temperature descending
Isolation voltage:	4200V AC / 5mA / 1min
Normen und Approval	
Safety Norm:	EN61347-2-13:2006, EN61347-1:2001, EN60598-1:2004+A1:2006
LVD Norm:	Low voltage Directive 2006/95/EC
EMC Norm:	EN55015:2006, EN61547:1995+A1:2000 EN61000-3-2:2006, EN61000-3-3:1995+A1:2001+A2:2005
Approval:	INTERTEK SEMKO
CE Marking:	Yes
RoHS compatible:	Yes

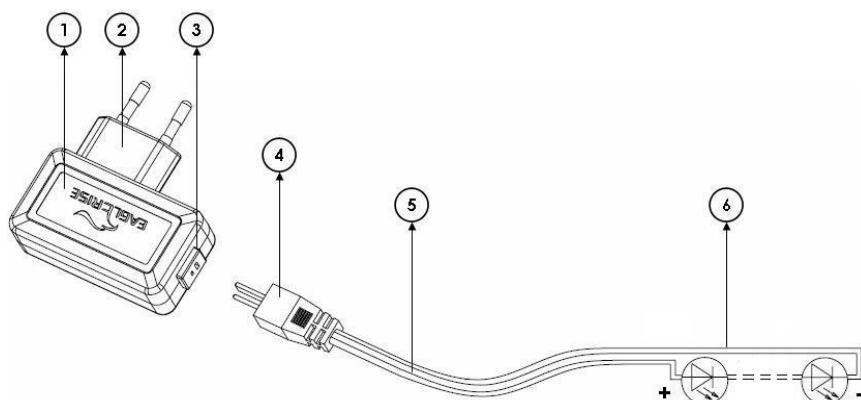
## II. Construction



Unit: mm

Dimension	
Overall (LxBxH):	68,5 x 22 x 54mm
Body(LxBxH):	66 x 22 x 36mm
Input	
Input plug:	CEE7/16
Output	
Output socket:	SR-027
Output cable:	original 1,2m transparent color max 4,5m (optional white color)

## III. Installation



**DANGER!** Don't work with connecting electric power! The components in this device may have deadly voltage and high stored energy! All installation works must be performed with specialized personnel!

Components	
1	LED driver / device body
2	Input plug
3	Output socket (SR-027)
4	Connector of output cable
5	Output cable (1,2m)
6*	12VDC LED (0...6W)

\* not inclusive in the product packing