



TOYO LED ELECTRONICS LIMITED

Room 1610, Hong Kong Plaza, 188 Connaught Road West, Hong Kong.

Tel : (852) 2540 7288
http://www.toyo-led.com

Fax : (852) 2517 1797
E-mail : sales@toyo-led.com



P/N: E14001-G2-UR5-8-W

SPECIFICATION FOR CUSTOMER APPROVAL

P/N: E14001-G2-UR5-8-W

DATE : July 29, 2013

PREPARED BY : Luo Mengsi

CONFIRMED BY : Lam to

PLEASE CONFIRM & SIGN BACK THIS SHEET TO US

CUSTOMER: 00643-U

APPROVAL BY: _____

(COMPANY CHOP)

(SIGNATURE)



TOYO LED ELECTRONICS LIMITED

Room 1610, Hong Kong Plaza, 188 Connaught Road West, Hong Kong.

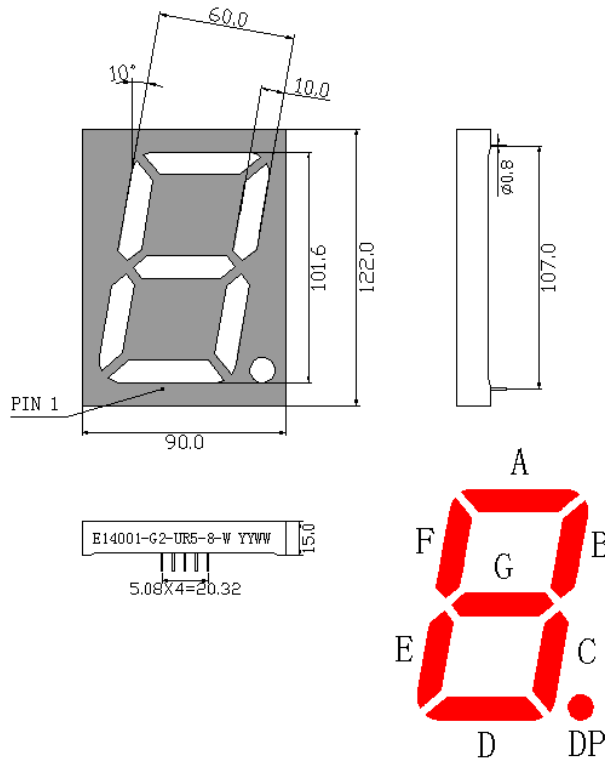
Tel : (852) 2540 7288
 http://www.toyo-led.com

Fax : (852) 2517 1797
 E-mail : sales@toyo-led.com

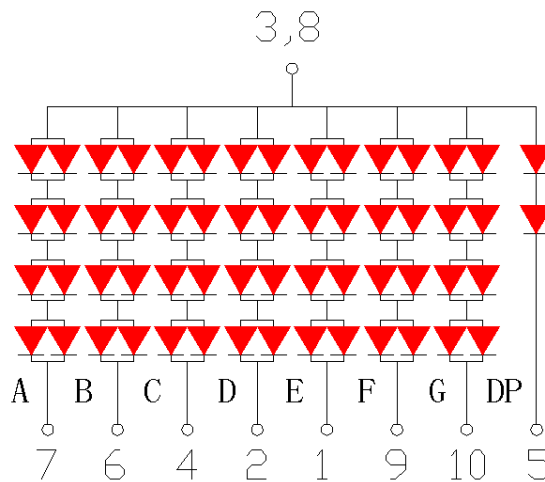


P/N: E14001-G2-UR5-8-W

PACKAGE DIMENSION



INTERNAL CIRCUIT DIAGRAM



CODE G2

NOTES:

1. All dimensions are in millimeter(inch);
2. Tolerance is $\pm 0.25\text{mm}(0.01")$ especially other specified;
3. Pin length, housing color, marking no & circuit diagram can be customized;
4. Specifications are subject to change without notice.



TOYO LED ELECTRONICS LIMITED

Room 1610, Hong Kong Plaza, 188 Connaught Road West, Hong Kong.

Tel : (852) 2540 7288
http://www.toyo-led.com

Fax : (852) 2517 1797
E-mail : sales@toyo-led.com



P/N: E14001-G2-UR5-8-W

Chip Material: AlGaInP / GaAs Ultra Bright Red LED Chip



ABSOLUTE MAXIMUM RATINGS (Ta = 25°C)

PARAMETER	SYMBOL	MAXIMUM RATING	UNIT
Power Dissipation	PD	72	mW
Peak Forward Current (1/10 Duty Cycle, 0.1 Ms Pulse Width)	IPEAK	90	mA
DC Forward Current	IF	30	mA
Reverse Voltage	VR	5	V
Operating Temperature Range	TA	-40 °C to +85 °C	
Storage Temperature Range	TSTG	-40 °C to +85 °C	
Solder temperature 1/16 inch below seating plane for 3 seconds at 260 °C			

ELECTRICAL OPTICAL CHARACTER AND CURVES (Ta = 25°C)

PARAMETER	SYMBOL	MIN	TYP	MAX	UNIT	LOCATION	TEST CONDITION
Forward Voltage	V _F	-	2.10	2.40	V	Per Segment	I _F = 20mA
Luminous Intensity	I _v	75.0	80.0	85.0	mcd	Per Segment	I _F = 20mA
Peak Emission Wavelength	λ _p	-	645	-	nm	Per Segment	I _F = 20mA
Dominant Emission Wavelength	λ _d	626	631	636	nm	Per Segment	I _F = 20mA
Spectral Line Half-Width	Δλ _{1/2}	-	20	-	nm	Per Segment	I _F = 20mA
Capacitance	C	-	95	-	pF	Per Segment	V _F = 0V; f = 1MHz
Reverse Current	I _R	-	-	10	uA	Per Segment	V _R = 5V

Note:

- Luminous intensity tolerance is ±10%;
- Dominant Emission Wavelength tolerance is ±5%.



TOYO LED ELECTRONICS LIMITED

Room 1610, Hong Kong Plaza, 188 Connaught Road West, Hong Kong.

Tel : (852) 2540 7288
http://www.toyo-led.com

Fax : (852) 2517 1797
E-mail : sales@toyo-led.com



P/N: E14001-G2-UR5-8-W

■ Typical Electro-Optical Characteristic Curve:

FIG. 1 Forward Current Vs. Forward Voltage

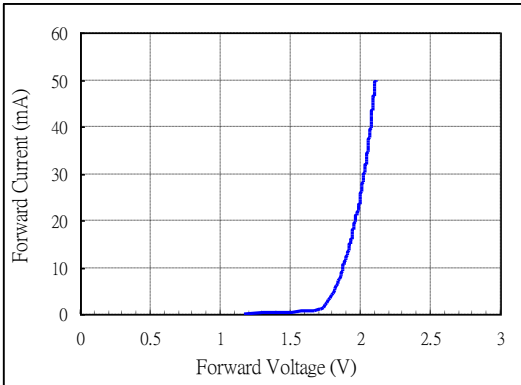


FIG. 2 Relative Intensity Vs. Forward Current

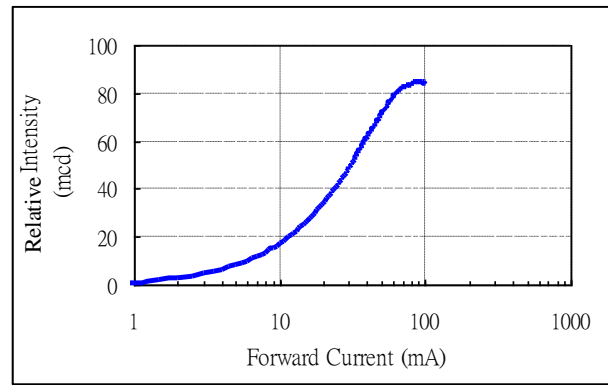


FIG. 3 Forward Voltage Vs. Temperature

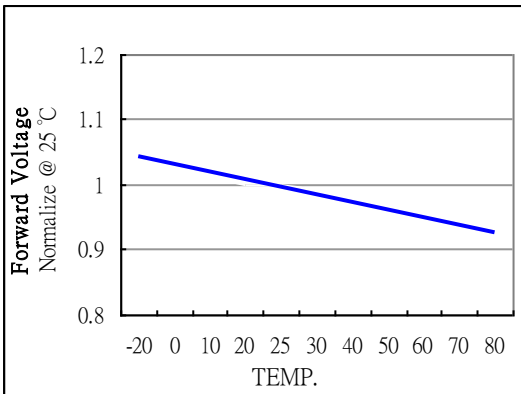


FIG. 4 Relative Intensity Vs. Temperature

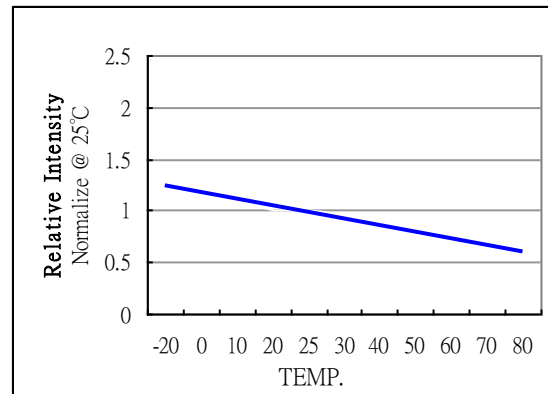


FIG. 5 Relative Intensity Vs. Wavelength

