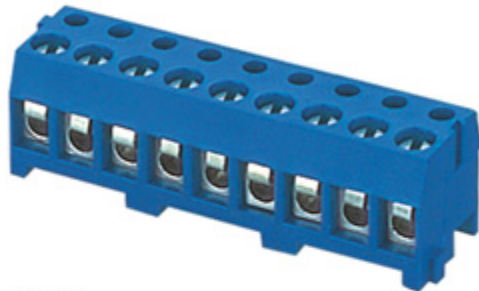


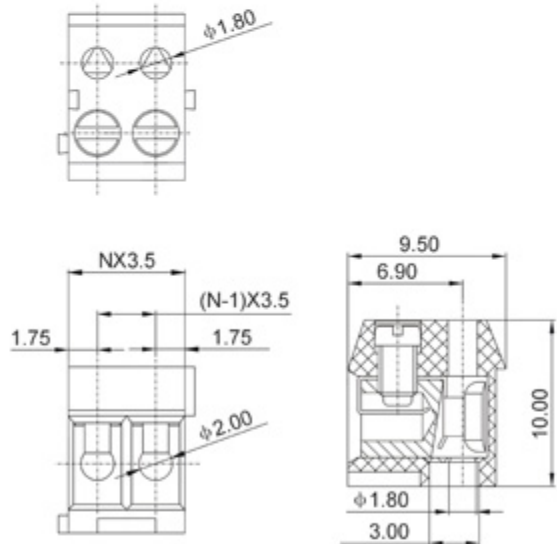


DEGSON ELECTRONICS CO., LTD.

Product Specification



DG333K-3.5

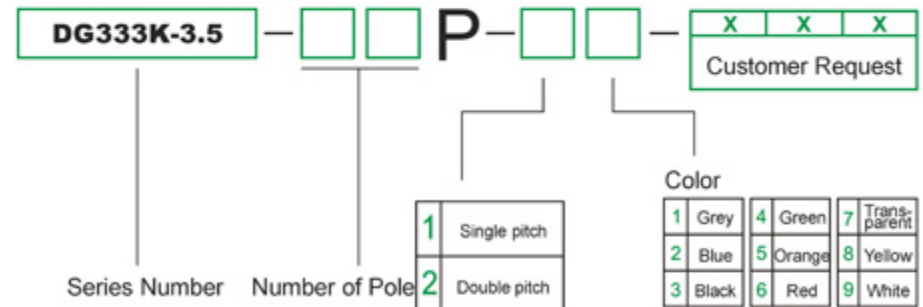


Approval		
Electrical		
Standard	UL	IEC
Rated voltage	300V	250V
Rated current	8A	8A
Wire range	28-16AWG	1.0mm ²
With standing voltage	AC2000V/1Min	

Mechanical	
Torque	0.2Nm(1.7Lb-In.)
Ambient temperature	-30°C~+120°C
Strip length	5-6mm
Dimensions	
Pitch	3.5mm(.138")
Poles	2P,3P-24P

Material	
Housing	PBT, UL94V-0
Screws	M2, steel, Cr ³⁺ Zn plated
Contact	Phosphor bronze
Cage	Brass, Ni plated

HOW TO ORDER



	 DEGSON ELECTRONICS CO., LTD.
 <small>THIRD ANGLE PROJECTION</small>	NAME DG333K-3.5