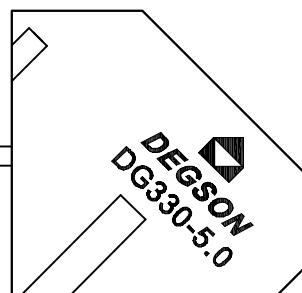
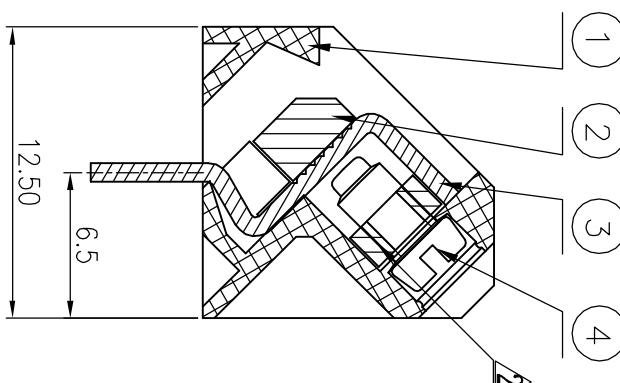
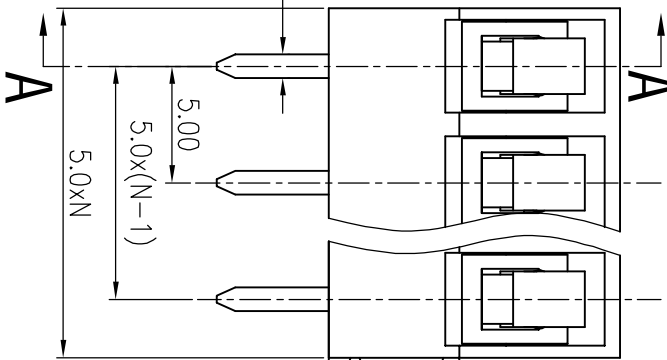
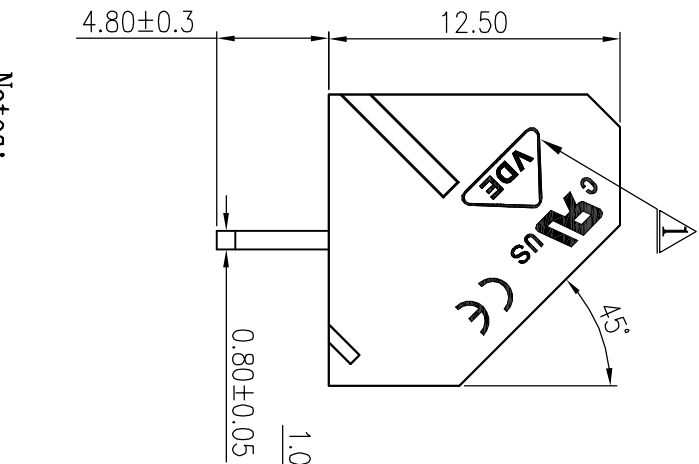


REVISION RECORD			
REV	ECOI	DESCRIPTION	DATE
Δ		增加VDE、CE标志	LJH 12/26/07
Δ		版面更新	WLM 08/02/08
Δ	10-019	零件号由4011A0YXXXA(H)更改为4011A0YXXXA(H)	COCO 09/27/10



- Notes:
1. Pitch: 5.0mm, Poles: 2-XXP
 2. Rated voltage/current: UL 300V/15A VDE 250V/24A
 3. Operation temperatures: -40 °C~+105 °C
 4. Withstanding Voltage: AC2000V/1Min
 5. Insulation Resistance: 5000MΩ /DC1000V
 6. Wire Range: 22-12AWG, 2.5mm²
 7. Max. Torque Value: M2.5, 4.08kgf.cm
 8. Undimensioned Tolerances:

Pitch range in mm	Nominal dimension range in mm	
over 6 to 10	over 10 to 24	over 30 to 60
over 10 to 24	over 30 to 60	over 60 to 100
over 10 to 24	over 30 to 60	over 100 to 150
over 10 to 24	over 30 to 60	over 150 to 300

ITEM	NAME OF PART	NO. OF PART	Q'TY	MATERIAL	NOTES
4	DG330 "—" Screw Δ	XX	XX	Steel	Cr ³⁺ Tn
3	DG330-Pin header	XX	XX	Brass	Snce plated
2	DG330-Cage	XX	XX	Brass	Ni plated
1	DG330-5.0-Housing	1	1	PA66	UL94V-0

DETACHED LISTS	
MM	0 ±
MM	.00 ±
MM	0.00 ±
ANGLES	± 1°
THIRD ANGLE PROJECTION	

DATE	08/18/07
CHKD	
DATE	
APPR	
DATE	
MATERIAL :	
G.E. :	
FINISH :	
SCALE : 1:1	
DO NOT SCALE DRAWING	

DEGSON 宁波德正电子有限公司
DEGSON ELECTRONICS CO., LTD

NAME
DG330-5.0-XXP-1Y-00A(H)

DRAWING NO. DG330-5.0-E02

SIZE REV
/PART NO. A3 13

REV 13
09/26/07

8 7 6 5 4 3 2 1