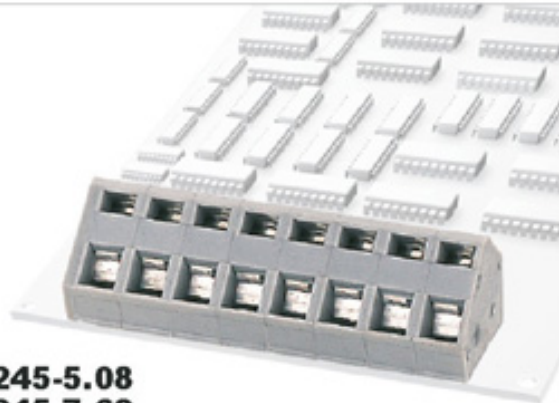


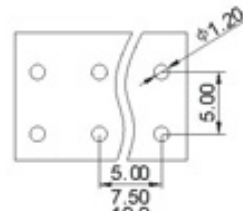
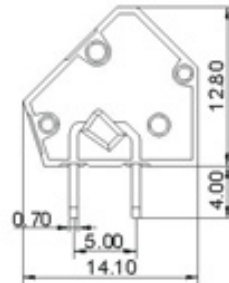
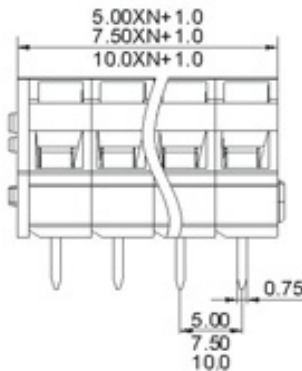


DEGSON ELECTRONICS CO., LTD.

Product Specification



DG245-5.0 **DG245-5.08**
DG245-7.5 **DG245-7.62**
DG245-10.0 **DG245-10.16**



PCB LAYOUT

Approval	UL	CE
Electrical		
Standard	UL	IEC
Rated voltage	300V	250V, 450V
Rated current	15A	16A
Wire range	28-12AWG	2.5mm ²
With standing voltage	AC2000V/1Min	

Mechanical	
Ambient temperature	-40°C~+105°C
Strip length	5-6mm

Dimensions	
Pitch	5.0mm(.197") 5.08mm(.200") 7.5mm(.295") 7.62mm(.300") 10.0mm(.394") 10.16mm(.400")
Poles	1P-XXP

Material	
Housing	PA66, UL94V-0
Pin header	Phosphor bronze, Tin plated
Wire guard	Stainless steel

HOW TO ORDER



Series Number

Number of Pole

1	Single pitch
2	Double pitch

Color

1	Grey	4	Green	7	Trans-parent
2	Blue	5	Orange	8	Yellow
3	Black	6	Red	9	White



DEGSON ELECTRONICS CO., LTD.

NAME	DG245-5.0	DG245-5.08
	DG245-7.5	DG245-7.62
	DG245-10.0	DG245-10.16