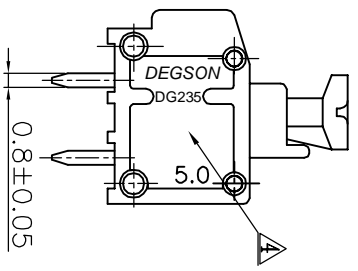
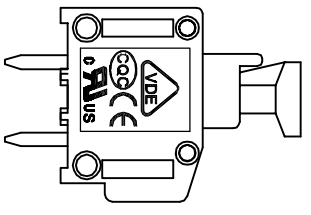
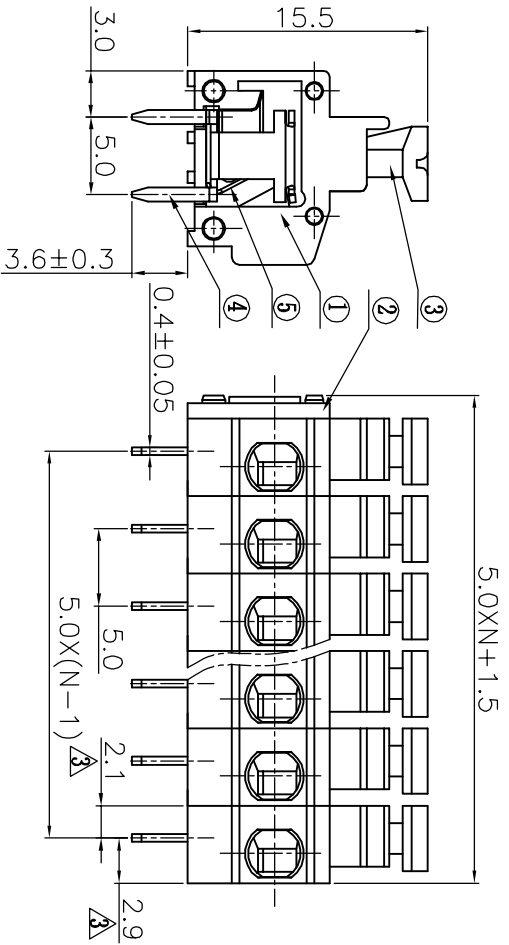
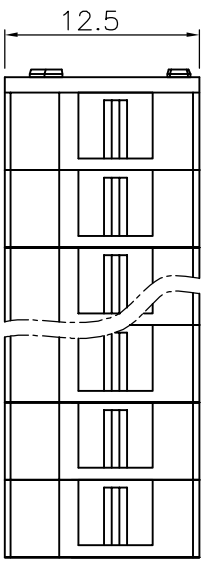


REV	EQN	DESCRIPTION	DWTT	DATE
1		图面更新	HW	04/11/06*
2		图面更新	ZTH	05/06/08*
3		工程变更:去掉电压、电感符号	WLM	08/11/08*
4	U-0033	修改参数	ZXX	09/30/10*



- Notes:
- Pitch: 5.0mm, Poles: XXP
  - Rated voltage/current: UL 300V/5A  
VDE 250V/15A
  - Operation temperatures: -40°C~+105°C
  - Withstanding Voltage: AC2000V/1Min
  - Insulation Resistance: 5000MΩ/DC1000V
  - Wire Range: 20~18AWG, 0.2~1.5mm<sup>2</sup> (str)  
0.2~2.5mm<sup>2</sup> (sol)
  - Undimensioned Tolerances:

Pitch range in mm	Nominal dimension range in mm
over 6 to 10	over 30 to 60
over 10 to 24	over 60 to 100
over 24 to 30	over 100 to 150
±0.10	±0.15
±0.25	±0.2±0.3±0.5±0.7±1.0±0.05/0

5	DC235-5-0-Spring	X000000140(H)	XX	Stainless
4	DC235-5-0-Pin header	3008000010(H)	XX	Phosphor Bronze
3	DC235-5-0-Button	300800001A(H)	XX	PA66
2	DC235-5-0-Cover	300800001A(H)	1	PA66

ITEM 1	DC235-5-0 Housing	NO. OF PART 300810T01A(H)	Q'TY XX	MATERIAL PA66	NOTES UL 94V-0
DETACHED LISTS					
TOLERANCES EXCEPT AS NOTED		MATERIAL: DEGSON			
MM	±	NAME DC235-5.0-XXP-1Y-00A(H)			
ANGLES ± 1°	±	DRAWING NO. DG235-5-0-E17			
THIRD ANGLE PROJECTION	±	/PART NO. /			
SCALE: 1:1		DO NOT SCALE DRAWING			
DATE 08/02/10		SHEET 1 OF 1			
DATE		REV 15			
DATE		REV 15			
DATE		REV 15			

8 7 6 5 4 3 2 1