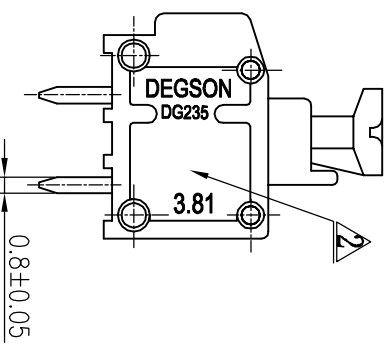
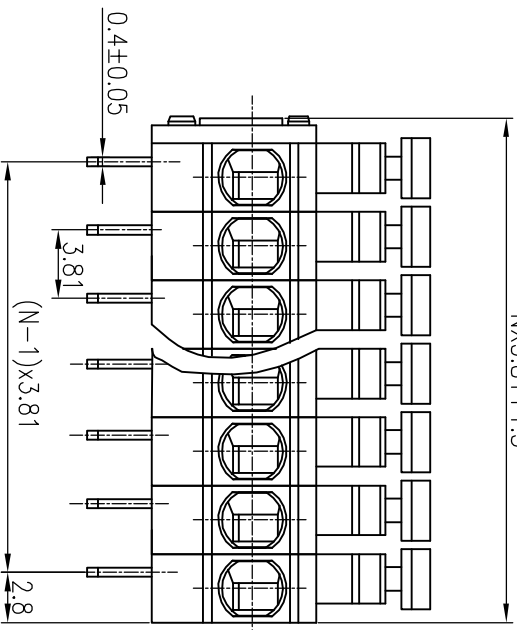
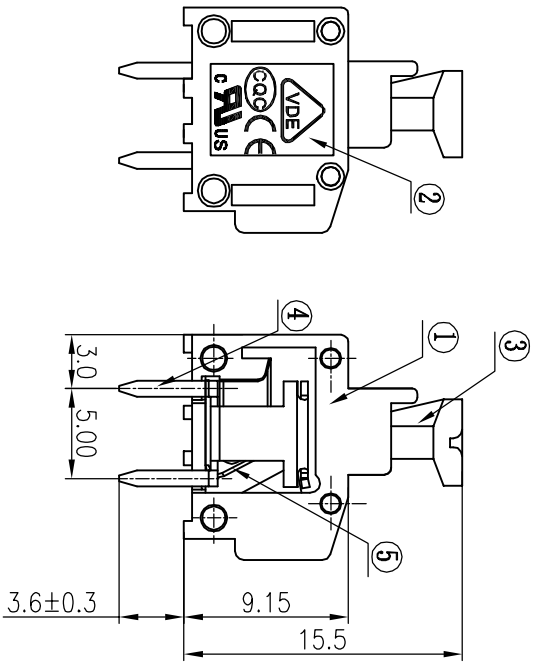
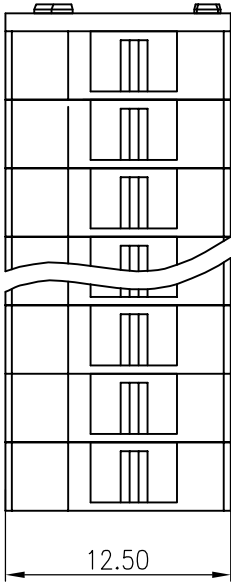


REV	ECO	DESCRIPTION	DFT	DATE
1		图纸更新	HW	04/11/06*
2		工程变更, 去掉电压, 增加符号	WLM	08/09/08*

REVISION RECORD



Notes:

1. Pitch: 3.81mm , Poles: XXP
2. Rated voltage/current: UL 300V/5A
VDE 250V/10A
3. Operation temperatures: -40℃~+105℃
4. Withstanding Voltage: AC2000V/1min
5. Insulation Resistance: 5000MΩ /DC1000V
6. Wire Range: 20~18AWG, 1.5mm²
7. Undimensioned Tolerances:

Pitch range in mm	over	over	over	over	over	over	over	over
6 to 10	10	10	30	60	60	100	100	150
10 to 24	24	30	60	100	100	150		
±0.10	±0.15	±0.25	±0.2±0.3	±0.5±0.7	±1.0	0.008/10		

ITEM	NAME OF PART	NO. OF PART	Q'TY	MATERIAL	NOTES
5	DG235-3.81-Clamp	X000000390 (H)	XX	Stainless Steel	
4	DG235-3.81-Pin header	3007B00010 (H)	XX	Phosphor Bronze	SnCe plated
3	DG235-3.81 Button	3007D0701A (H)	XX	PA66	UL94V-0
2	DG235 Cover	3008C0701A (H)	1	PA66	UL94V-0
1	DG235-3.81 Housing	3007A0701A (H)	XX	PA66	UL94V-0

DEGSION 宇瞻电子电子有限公司
DEGSION ELECTRONICS CO., LTD

NAME: DG235-3.81-XXP-1Y-00A(H)
DRAWING NO. DG235-3.81-E02
/PART NO. A3

DETACHED LISTS	THIRD ANGLE PROJECTION	FINISH:	SCALE: 1:1	DO NOT SCALE DRAWING	SHEET 1 OF 1
ANGLES ± 1°		G.E.:			
0 ±		MATERIAL:			
±		DATE			
±		DATE			
±		DATE			