

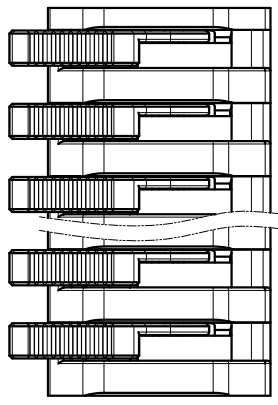
REVISION RECORD			
REV	ECN	DESCRIPTION	DRFT DATE

NOTES1:  
 UL Standard  
 1. Rated voltage/current : 300V / 12A  
 2. Withstanding voltage : AC1600V/1Min.  
 3. Wire range : 28~14AWG

IEC Standard

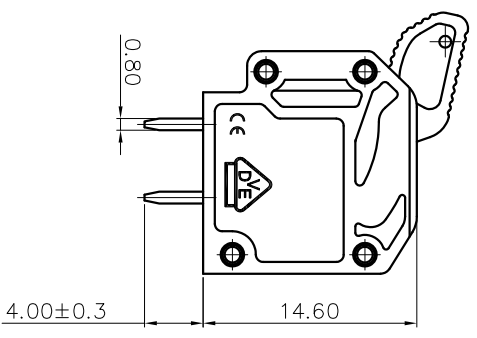
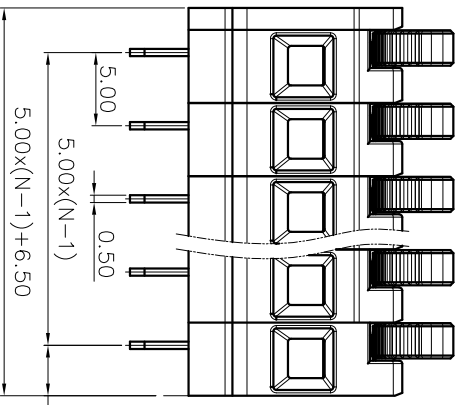
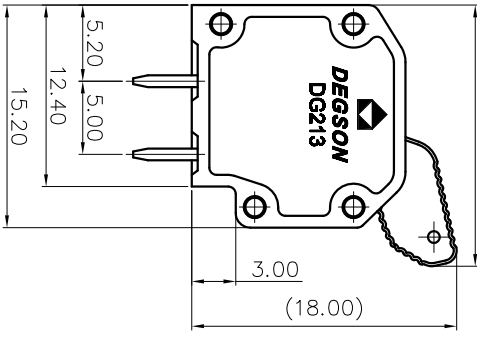
1. Pollution degree	2	2	3
Overvoltage category	II	III	III
Rate impulse voltage(kV)	4.0kV	4.0kV	4.0kV
Rate voltage(V)	630V	450V	320V
Rate current(A)	18A		

2. Wire range : 0.2~2.5mm<sup>2</sup>



DG213 - 5.0-XXP-1Y-00A (H)  
 (Series No.) (Pitch) (Poles) (Single Pitch) (Color) : 1 (Grey)  
 (Rohs)  
 00A-(Standard)  
 2 (Blue)  
 3 (Black)  
 4 (Green)  
 5 (Orange)  
 6 (Red)  
 7 (Transparent)  
 8 (Yellow)  
 9 (White)

(17.80)

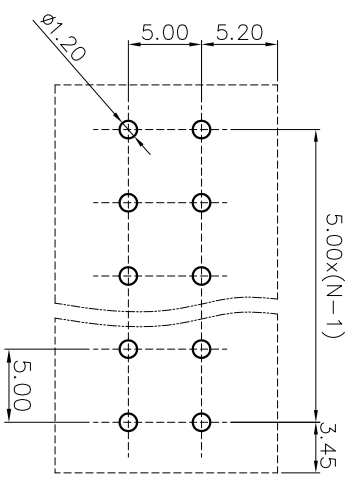


NOTES2:

1. Dimension shall be interpreted per ASME Y14.5-2009
2. Pitch : 5.00mm, Poles : N=01~24P
3. Stripping length : 10~11mm
4. Operating temperature: -40°C~+105°C
5. Undimensioned tolerances:

Pitch Range		In mm		Nominal Dimension Range		mm	
Over	TO	Over	TO	Over	TO	Over	TO
6	10	30	60	100	150	0.1/10	
10	24	30	60	100	150		
±0.15		±0.30		±0.50		±1.00	
±0.30		±0.70		±1.00		±2	

6. RoHS Compliance



PART NO.:		NAME:	
/		NINGBO DEGSON ELECTRICAL CO., LTD	
APPD: /		TITLE: CUSTOMER DRAWING	
CHKD: /		DRAWING NO.: /	
DRFT: /		REV: DO	
THIRD ANGLE PROJECTION		DO NOT SCALE DRAWING	
		SCALE: 1:1	