

ULTRASONIC SENSOR

Customer	
Customer P/O	
Customer Spec. No.	
Bestar Model Name	BPU-1640IOAH12
Product No.	100902
Issue No.	BS/TEP01.201A
Issue Date	03/10/06

Approval:

- 1.Applications
- 2.Features
- 3.Technical terms
- 4.Drawing
- 5.Beam Pattem
- 6.Test Circuit
- 7.Reliability Test

Prepared	Chec.	Appr.	Revision		
			No.	Date	Contents
			0		
			1		
			2		
			3		

Reference:

超声波探头GS认证中的C12-5-2标准



BESTAR ELECTRONICS INDUSTRY CO.,LTD
Site B,TianAn Industry,New District,ChangZhou ,P.R.China
Tel:86-519-5103228
Fax:86-519-5131010
Http:www.be-star.com
E-Mail:bestarco@pub.cz.jsinfo.net

BPU-1640IOAH12

1.Applications

Burglar alarms、 Range finders、 Automatic doors、 Remote control.


2.Features

- 2.1) Open struct and Dual use
- 2.2) Compact and light weight.
- 2.3) High sensitivity and sound pressure.
- 2.4) Less power consumption.
- 2.5) High reliability

3.Technical terms

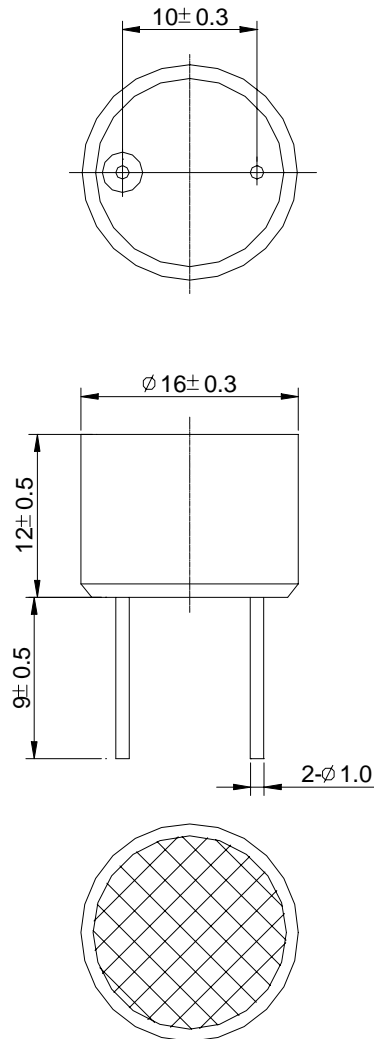
No.	Item	Specification
1.	Construction	Open Struct
2.	Using Method	Dual Use
3.	Center Frequency	40kHz
4.	Transmitting Sound Pressure Level	min115dB (30cm/10Vrms Sine Wave)
5.	Receive Sensitive	min-74dB/V/ μ bar
6.	-6dB Directivity	50deg
7.	Sensitivity Distance	min.13m
8.	Capacitance	2000pF± 20% at1KHz
9.	Operating Tem.Range	-30 to 85° C
10.	Allowable Input Voltage	120 Vp-p(40KHz)
11.	Housing Material	Aluminum

This print and information therein are proprietary to Bestar Electronics Industry Co., Ltd. and shall not be used in whole or in part without its written content 100902

DIS.		DATE		Page:1 of 5	BPU-1640IOAH12
CHEC.		DATE		3rd angle projection	
APPR.		DATE			Ultrasonic Sensor
 BESTAR ELECTRONICS INDUSTRY CO.,LTD TianAn Industry Park 4/F,Site B ChangZhou New District E-Mail:bestarco@ pub.cz.jsinfo.net Http:www.be-star.com					DRG NO BS/TEP01.201A

BPU-1640IOAH12

4. Drawing

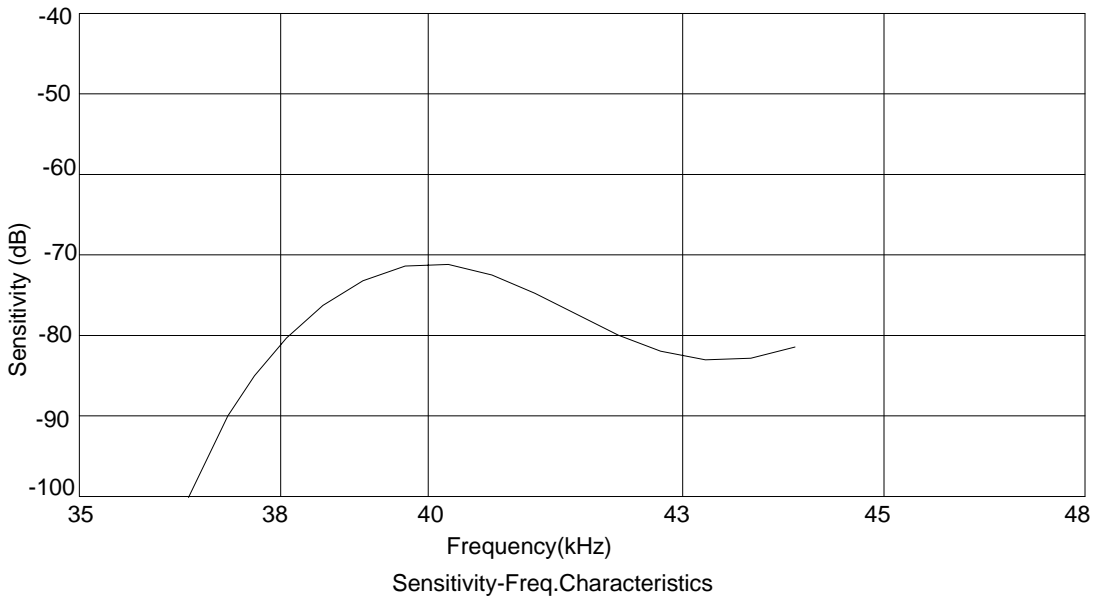
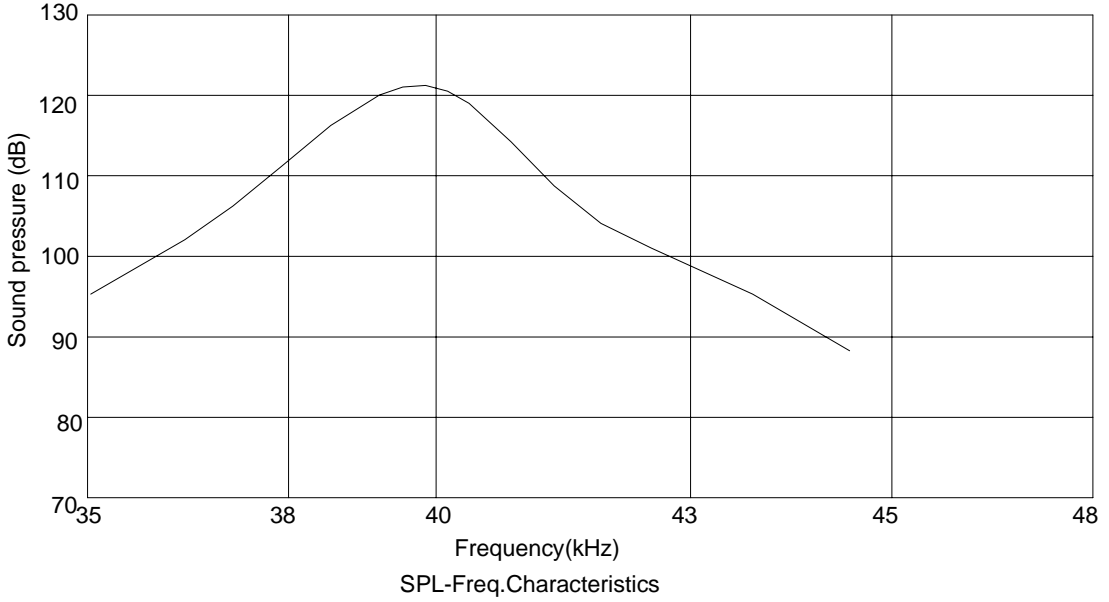


This print and information therein are proprietary to Bestar Electronics Industry Co., Ltd. and shall not be used in whole or in part without its written content 1009900

DIS.		DATE		Page:2 of 5	BPU-1640IOAH12
CHEC.		DATE			
APPR.		DATE		DRG NO BS/TEP01.201A	
 BESTAR ELECTRONICS INDUSTRY CO.,LTD TianAn Industry Park 4/F,Site B ChangZhou New District E-Mail:bestarco@ pub.cz.jsinfo.net Http:www.be-star.com					

BPU-1640IOAH12

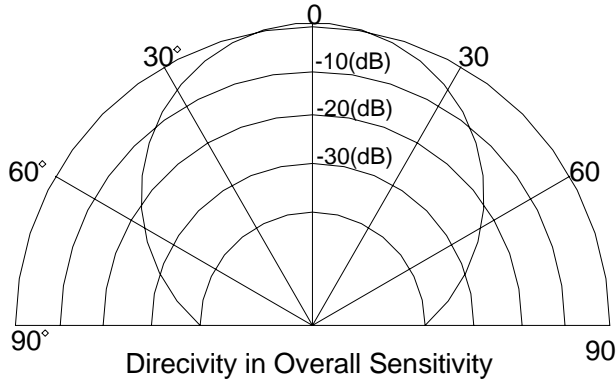
5. Beam Pattern



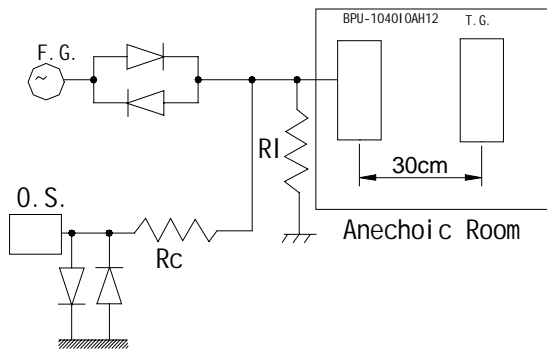
This print and information therein are proprietary to Bestar Electronics Industry Co., Ltd. and shall not be used in whole or in part without its written content 100902

DIS.		DATE		Page:3 of 5 3rd angle projection	BPU-1640IOAH12
CHEC.		DATE			Ultrasonic Sensor
APPR.		DATE			
 BESTAR ELECTRONICS INDUSTRY CO.,LTD TianAn Industry Park 4/F,Site B ChangZhou New District E-Mail:bestarco@ pub.cz.jsinfo.net Http:www.be-star.com					DRG NO BS/TEP01.201A

BPU-1640IOAH12



6. Test circuit



Rl: 3.9KΩ Rc=1kΩ

T.G. :Target
 F.G. :Function Generator
 O.S. :Oscilloscope

This print and information therein are proprietary to Bestar Electronics Industry Co., Ltd. and shall not be used in whole or in part without its written content 100902

DIS.		DATE		Page:4 of 5 3rd angle projection	BPU-1640IOAH12
CHEC.		DATE			Ultrasonic Sensor
APPR.		DATE			DRG NO BS/TEP01.201A
BESTAR ELECTRONICS INDUSTRY CO.,LTD TianAn Industry Park 4/F,Site B ChangZhou New District E-Mail:bestarco@ pub.cz.jsinfo.net Http:www.be-star.com					

This print and information therein are proprietary to Bestar Electronics Industry Co., Ltd. and shall not be used in whole or in part without its written content 100902

BPU-1640IOAH12

7. Reliability Test

- | | | | |
|------|---|---------------------------|--|
| 7.1 | High temp.life test | | |
| | Temperature | +85° C | |
| | Duration | 200hrs | |
| 7.2 | Low temp.life test | | |
| | Temperature | -40° C | |
| | Duration | 200hrs | |
| 7.3 | Heat Cycle Test | | |
| | Temperature | +85± 3° C 1hour | |
| | | -40± 3° C 1hour | |
| | Cycles | 100cycles | |
| 7.4 | Humidity Test | | |
| | Temperature | +65° C | |
| | Relative Humidity | 90~95% | |
| | Duration | 200hrs | |
| | Tests above should be measured after leaving normal temperature for24hrs. | | |
| 7.5 | Vibration Test | | |
| | Vibration Frequency | 10~200Hz | |
| | Sweep Period | 15min | |
| | Acceleration | 43.12m/s ² | |
| | Direction | 3(x.y&z) | |
| | Time | 96hours/direction | |
| *7.6 | Life test in normal temperature(25° C reference) | | |
| | Power supply | 10V (40KHz ,square wave) | |
| | Duration | 4hours | |
| 7.7 | Shock test | | |
| | Acceleration | sine 980 m/s ² | |
| | Direction | 3directions | |
| | Shock time | 3 time/directions | |
| 7.8 | Drop test | | |
| | Height | 1m | |
| | (Dropped to 20mm thick hardwood board without packing.) | | |
| | Times | 10times | |

Notice:

The variation of the S.P.L at 40KHz is within 3dB compared with initial figures at 25° C after above test condition
 after 7.6 test conditions, repeat test 20 times or more,the product must be have request distance response .

DIS.		DATE		Page:5 of 5	BPU-1640IOAH12
CHEC.		DATE			
APPR.		DATE		3rd angle projection	Ultrasonic Sensor
 BESTAR ELECTRONICS INDUSTRY CO.,LTD TianAn Industry Park 4/F,Site B ChangZhou New District E-Mail:bestarco@ pub.cz.jsinfo.net Http:www.be-star.com					DRG NO
					BS/TEP01.201A