

PIEZO BUZZER

Customer	
Customer P/O	
Bestar Model Name	BPT-20A
Product No.	031000
Issue No.	BS/TEP01.009A
Issue Date	02/06/10

Approval:

- 1.Ordering Information
- 2.Technical Terms
- 3.Reliability Test
- 4.Drawing
- 5.Standard Output Measurement Setup



BESTAR ELECTRONICS INDUSTRY CO.,LTD
TianAn Industry Park4/F,Site B ChangZhou New District
Tel:86-519-5103228
Fax:86-519-5131010
Http:www.be-star.com
E-Mail:bestarco@pub.cz.jsinfo.net

BPT-20A

1. Ordering Information

BPT-20A

BPT: Bestar Piezo Transducer

2. Technical Terms

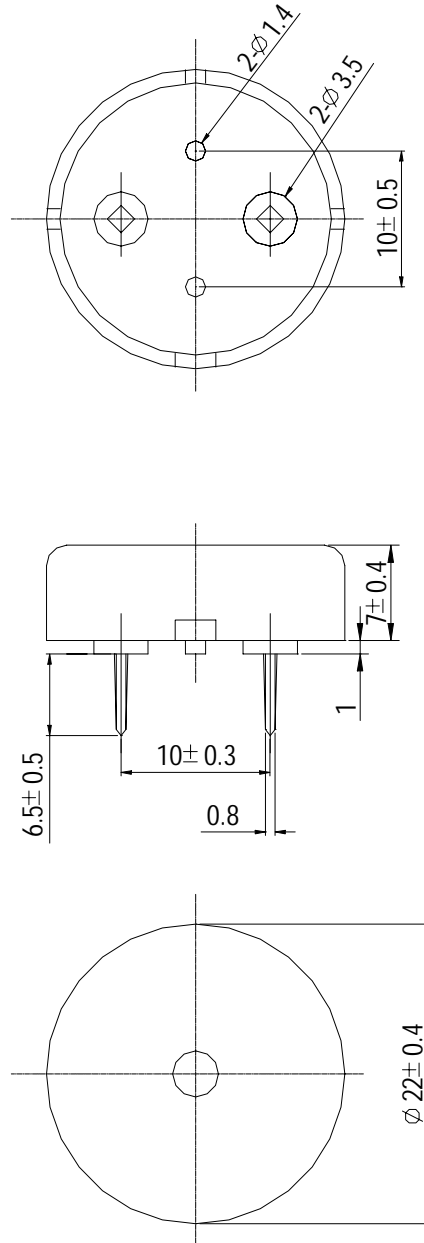
Item	Unit	Specifications
Rated Voltage(SquareWave)	Vp-p	3
Operating Voltage	Vp-p	1~25
a)Rated Current	mA	max3
Capacitance at 120Hz	pF	15000 ± 30%
a)Sound Output at 4KHz,10cm	dB	min75
Resonant Frequency	Hz	4000 ± 500
Operating Temperature	°C	-20~+70
Storage Temperature	°C	-30~+80
Weight	g	2.5
a)Value applying at rated voltage.		

This print and information therein are proprietary to Bestar Electronics Industry Co., Ltd. and shall not be used in whole or in part without its written content 031000

DIS.		DATE		Page:1 of 4 3rd angle projection	BPT-20A
CHEC.		DATE			Piezo Buzzer
APPR.		DATE			DRG NO BS/TEP01.009A
 BESTAR ELECTRONICS INDUSTRY CO.,LTD TianAn Industry Park 4/F,Site B ChangZhou New District E-Mail:bestarco@ pub.cz.jsinfo.net Http:www.be-star.com					

BPT-20A

3. Drawing



This print and information therein are proprietary to Bestar Electronics Industry Co., Ltd. and shall not be used in whole or in part without its written content 031000

DIS.		DATE		Page:2 of 4	BPT-20A
CHEC.		DATE			
APPR.		DATE			DRG NO BS/TEP01.009A
 BESTAR ELECTRONICS INDUSTRY CO.,LTD TianAn Industry Park 4/F,Site B ChangZhou New District E-Mail:bestarco@ pub.cz.jsinfo.net Http:www.be-star.com					

BPT-20A

4. Reliability Test

4.1 High temperature test

Temperature +80° C
 Duration 96hrs

4.2 Low temperature test

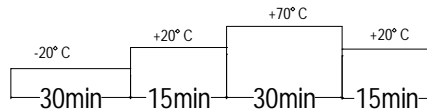
Temperature -30° C
 Duration 96hrs

4.3 Life test in normal temperature

Power supply rated voltage
 Duration 1000hrs

4.4 temperature cycle test

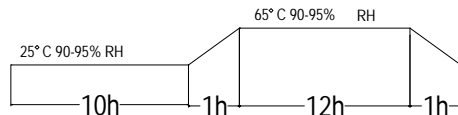
Cycles 5



all these tests above should be measured after leaving normal temperature for 2hrs.

4.5 Humidity cycle test

Cycles 5



all these tests above should be measured after leaving normal temperature for 2hrs.

4.6 Drop test

Height 70cm
 (to 10mm thickness woodenboard)
 Direction 3

Notice: All specification must be satisfied in this condition.

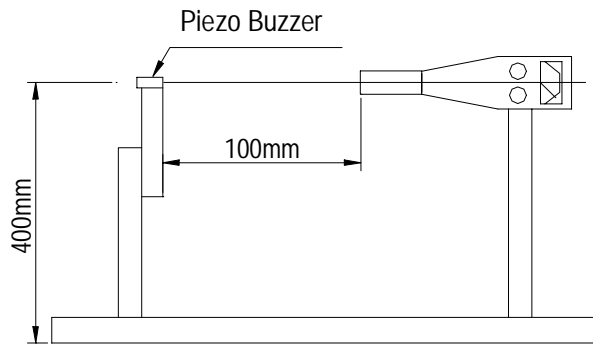
This print and information therein are proprietary to Bestar Electronics Industry Co., Ltd. and shall not be used in whole or in part without its written content 031000

DIS.		DATE		Page:3 of 4 3rd angle projection	BPT-20A
CHEC.		DATE			Piezo Buzzer
APPR.		DATE			DRG NO BS/TEP01.009A
 BESTAR ELECTRONICS INDUSTRY CO.,LTD TianAn Industry Park 4/F,Site B ChangZhou New District E-Mail:bestarco@ pub.cz.jsinfo.net Http:www.be-star.com					

This print and information therein are proprietary to Bestar Electronics Industry Co., Ltd. and shall not be used in whole or in part without its written content 031000

BPT-20A

5. Standard Output Measurement Setup



Normal Test Condition

Temperature 5~35° C

Humidity 45~85%

Atmosphere 645~795mmHg

If in the normal test there is any doubt in judgement, the test conditions could be as follows;

Temperature 20± 2° C

Humidity 60~70%

DIS.		DATE		Page:4 of 4 3rd angle projection	BPT-20A
CHEC.		DATE			Piezo Buzzer
APPR.		DATE			DRG NO BS/TEP01.009A
 BESTAR ELECTRONICS INDUSTRY CO.,LTD TianAn Industry Park 4/F,Site B ChangZhou New District E-Mail:bestarco@ pub.cz.jsinfo.net Http:www.be-star.com					