



## Features

- 5 mm diameter, 4 mm long (2035 series)
- 5 mm diameter, 5 mm long (2037 series)
- UL Recognized
- High surge current rating
- Stable breakdown throughout life
- RoHS compliant\* versions available

## Applications

- Telecommunications
- Industrial electronics
- Commercial electronics
- Consumer electronics
- Automotive, aircraft, military electronics

## 2035/2037 Series - Miniature 2-Pole Gas Discharge Tube

### Characteristics

Test Methods per ITU-T (CCITT) K.12, IEEE C62.31

Characteristic	Model No.					
	2035-2037-09	2035/2037-15	2035/2037-20	2035/2037-23	2035/2037-25	2035/2037-30
DC Sparkover $\pm 15\%$ ( $\pm 20\%$ for Model 2035/2037-09) @ 100 V/s	90 V	150 V	200 V	230 V	250 V	300 V
Impulse Sparkover	300 V	350 V	425 V	450 V	475 V	525 V
	100 V/ $\mu$ s	550 V	575 V	600 V	625 V	650 V
1000 V/ $\mu$ s						

Characteristic	Model No.				
	2035/2037-35	2035/2037-40	2035/2037-42	2035/2037-47	2035/2037-60
DC Sparkover $\pm 15\%$ @ 100 V/s	350 V	400 V	420 V	470 V	600 V
Impulse Sparkover	600 V	650 V	675 V	750 V	950 V
	100 V/ $\mu$ s	750 V	800 V	850 V	1100 V
1000 V/ $\mu$ s					

Insulation Resistance (IR) .....	100 V (50 V for Models 2035/2037-09) .....	$> 10^{10} \Omega$
Glow Voltage .....	10 mA .....	$\sim 70$ V
Arc Voltage .....	1 A .....	$\sim 10$ V
Glow-Arc Transition Current .....	.....	$< 0.5$ A
Capacitance.....	1 MHz .....	$< 1$ pF
DC Holdover Voltage <sup>1</sup> .....	135 V, (52 V for Models 2035/2037-09, .....	$< 150$ ms
	80 V for Models 2035/2037-15)	
Impulse Discharge Current .....	10000 A, 8/20 $\mu$ s <sup>2</sup> .....	1 operation min.
	5000 A, 8/20 $\mu$ s .....	$> 10$ operations
	1000 A, 10/350 $\mu$ s .....	1 operation
	100 A, 10/1000 $\mu$ s .....	$> 300$ operations
	100 A, 10/700 $\mu$ s .....	$> 500$ operations
Alternating Discharge Current .....	20 Arms, 11 cycles <sup>2</sup> .....	1 operation min.
	5 Arms, 1 s .....	$> 10$ operations
Operating Temperature .....	.....	-55 to +85 °C
Climatic Category (IEC 60068-1).....	.....	40/90/21

#### Notes:

- UL recognized component, UL File E153537.
- Model number marking on tube: xxxV.
- Sparkover limits after life  $\pm 20\%$  (-25 %, +30 % for Models 2035/2037-09 and 2035/2037-60) , IR $>10^8 \Omega$ .
- Other DC sparkover ranges available on request.
- At delivery AQL 0.65 Level II, DIN ISO 2859.

<sup>1</sup> Network applied.

<sup>2</sup> DC Sparkover may exceed  $\pm 20\%$  but will continue to protect without venting.

# 2035/2037 Series - Miniature 2-Pole Gas Discharge Tube



## Product Dimensions

**2035-XX-A**



**2037-XX-A**



**2035-XX-B**



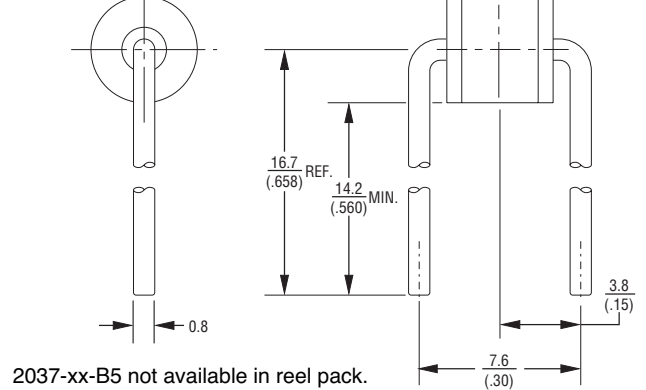
**2037-XX-B**



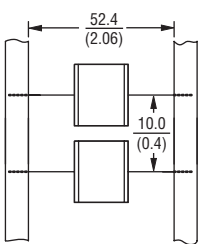
**2035-XX-B5**



**2037-XX-B5**



## Packaging Specifications



Model 2035/2037-xx-n ships standard bulk pack, 100 pcs./bag.

The optional reelpack (-BT1) contains 1,000 pcs./reel. Reel is 14" in diameter and 2.75" wide.

2035-xx-B5 not available in reel pack.

DIMENSIONS:  $\frac{\text{MM}}{\text{(INCHES)}}$

## How to Order

**2035/37 - xx - x (n) T1 LF**

Model Number Designator \_\_\_\_\_

Voltage (Divided by 10) \_\_\_\_\_

09 = 90 V	25 = 250 V	42 = 420 V
15 = 150 V	30 = 300 V	47 = 470 V
20 = 200 V	35 = 350 V	60 = 600 V
23 = 230 V	40 = 400 V	

Leads \_\_\_\_\_

A = None    B = 0.8 mm

Lead Shape \_\_\_\_\_  
(See Product Dimension Drawings)

Packaging \_\_\_\_\_

Blank = Bulk Packaging (Standard)  
T1 = Reelpack (Optional)

RoHS Compliant Option \_\_\_\_\_

Blank = Standard Product  
LF = RoHS Compliant Product

REV. 08/29/12

Specifications are subject to change without notice. Customers should verify actual device performance in their specific applications.

# Mouser Electronics

Authorized Distributor

Click to View Pricing, Inventory, Delivery & Lifecycle Information:

## Bourns:

[2035-60-B5](#) [2037-60-B5](#) [2035-35-B5](#) [2037-35-B5](#) [2037-09-A](#) [2037-25-A](#) [2035-09-C5](#) [2035-47-A](#) [2035-47-B](#)  
[2035-60-C5](#) [2037-23-A](#) [2037-15-B](#) [2035-15-BT1](#) [2037-35-A](#) [2037-35-B](#) [2035-30-B5](#) [2037-30-B5](#) [2037-30-C5](#)  
[2037-23-B5](#) [2035-23-B5](#) [2035-60-B](#) [2035-60-A](#) [2035-09-B5](#) [2037-09-BT1](#) [2035-42-C](#) [2035-42-B](#) [2037-60-A](#) [2037-](#)  
[25-C5](#) [2035-25-B5](#) [2037-25-B5](#) [2035-09-BT1](#) [2035-40-B](#) [2035-23-C](#) [2035-23-B](#) [2035-23-A](#) [2035-20-B](#) [2035-20-C](#)  
[2035-35-BLF](#) [2035-09-B5LF](#) [2035-09-ALF](#) [2035-09-BT1LF](#) [2035-15-B5LF](#) [2035-35-BT1LF](#) [2037-09-BLF](#) [2037-35-](#)  
[B5LF](#) [2037-35-BLF](#) [2037-35-CLF](#) [2037-42-B5LF](#) [2037-60-CLF](#) [2035-40-B5](#) [2037-30-A](#) [2035-30-B](#) [2035-30-A](#)  
[2035-09-A](#) [2035-09-B](#) [2035-09-C](#) [2035-25-B](#) [2035-25-A](#) [2035-15-B](#) [2035-15-A](#) [2035-15-C](#) [2035-15-B5](#) [2035-23-](#)  
[BT1](#) [2037-42-A](#) [2037-40-A](#) [2035-20-B5](#) [2037-20-B5](#) [2035-35-BT1](#) [2035-35-B](#) [2035-35-C](#) [2035-35-A](#) [2037-23-BLF](#)  
[2035-23-BT1LF](#) [2035-60-ALF](#) [2035-09-BLF](#) [2035-60-BLF](#) [2037-09-B](#) [2037-30-B](#) [2037-60-B](#) [2035-60-B5LF](#) [2037-](#)  
[09-B5](#) [2037-40-B](#) [2037-40-BLF](#) [2035-23-BLF](#) [2035-15-BLF](#) [2035-20-ALF](#) [2035-20-BLF](#) [2035-23-B5LF](#) [2035-25-](#)  
[BLF](#) [2035-30-B5LF](#) [2035-30-BLF](#) [2035-35-B5LF](#) [2035-40-BLF](#) [2035-42-BLF](#) [2035-47-BLF](#) [2035-60-C5LF](#) [2037-47-](#)  
[BLF](#) [2037-60-B5LF](#) [2035-47-B5LF](#) [2037-60-BLF](#)