



## AC Power Sockets\*AC Plugs

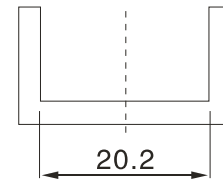
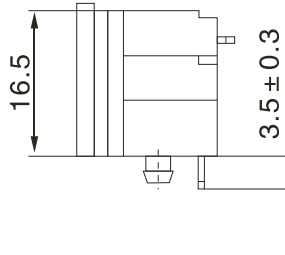
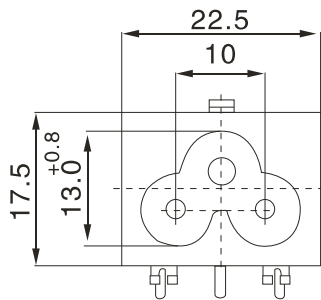
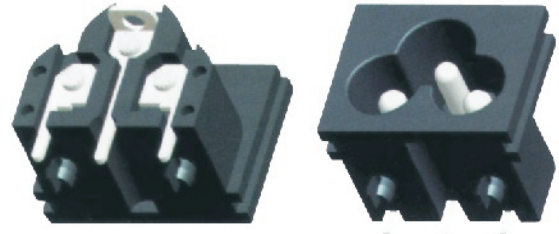
KLS1-AS-111-07 AC Power Sockets\*AC Plugs

### Material:

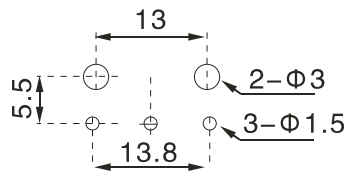
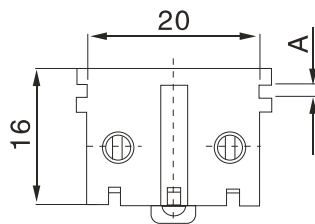
Housing:PA66 PC UL94V-0~V-2  
Terminal: Brass

### Electrical Characteristics:

Standard: IEC 60320 C6  
Ratin: 2.5A 250VAC  
Insulator Resistance: 100M Ohm 500V DC / 1 Minute  
Dielectric Strength: 2000V AC/1 minute  
Operating Temperature: -45°C~+105°C



PANEL CUT-OUT



PANEL CUT-OUT

ITEM	Dimension(mm)
A	0.8
	1.0
	1.5
	2.0

## ORDER INFORMATION

Product NO.: KLS1 - AS-111-07 - 1.5

