

1. Description

The AO6604 combines advanced trench MOSFET technology with a low resistance package to provide extremely low $R_{DS(ON)}$. This device is ideal for load switch and battery protection applications.

2.2 Features (P-Ch)

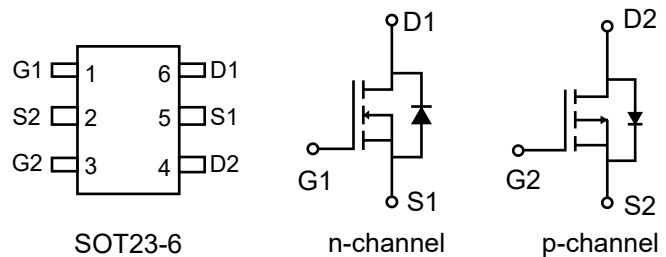
- $V_{DS(V)} = -20V$
- $R_{DS(ON)} < 75m\Omega (V_{GS} = -4.5V)$

2.1 Features (N-Ch)

- $V_{DS(V)} = 20V$
- $R_{DS(ON)} < 65m\Omega (V_{GS} = 10V)$
- $R_{DS(ON)} < 75m\Omega (V_{GS} = 4.5V)$
- $R_{DS(ON)} < 100m\Omega (V_{GS} = 1.8V)$

3. Pinning information

Pin	Symbol	Description
1,3	G1, G2	GATE
5,2	S1, S2	SOURCE
6,4	D1, D2	DRAIN



4. Absolute Maximum Ratings $T_A = 25^\circ C$

Parameter		Symbol	Max n-channel	Max p-channel	Units
Drain-Source Voltage		V_{DS}	20	-20	V
Gate-Source Voltage		V_{GS}	± 8	± 8	V
Continuous Drain Current	$T_A = 25^\circ C$	I_D	3.4	-2.5	A
	$T_A = 70^\circ C$		2.5	-2	
Pulsed Drain Current ^C		I_{DM}	13	-13	
Power Dissipation ^B	$T_A = 25^\circ C$	P_D	1.1	1.1	W
	$T_A = 70^\circ C$		0.7	0.7	W
Junction and Storage Temperature Range		T_J, T_{STG}	-55 to 150	-55 to 150	$^\circ C$



5. Thermal Characteristics

Parameter		Symbol	Typ	Max	Units
Maximum Junction-to-Ambient ^A	$t \leq 10s$	$R_{\theta JA}$	78	110	°C/W
Maximum Junction-to-Ambient ^{A,D}	Steady-State		106	150	°C/W
Maximum Junction-to-Lead	Steady-State	$R_{\theta JL}$	64	80	°C/W



6. Electrical Characteristic (T_J=25°C unless otherwise noted)

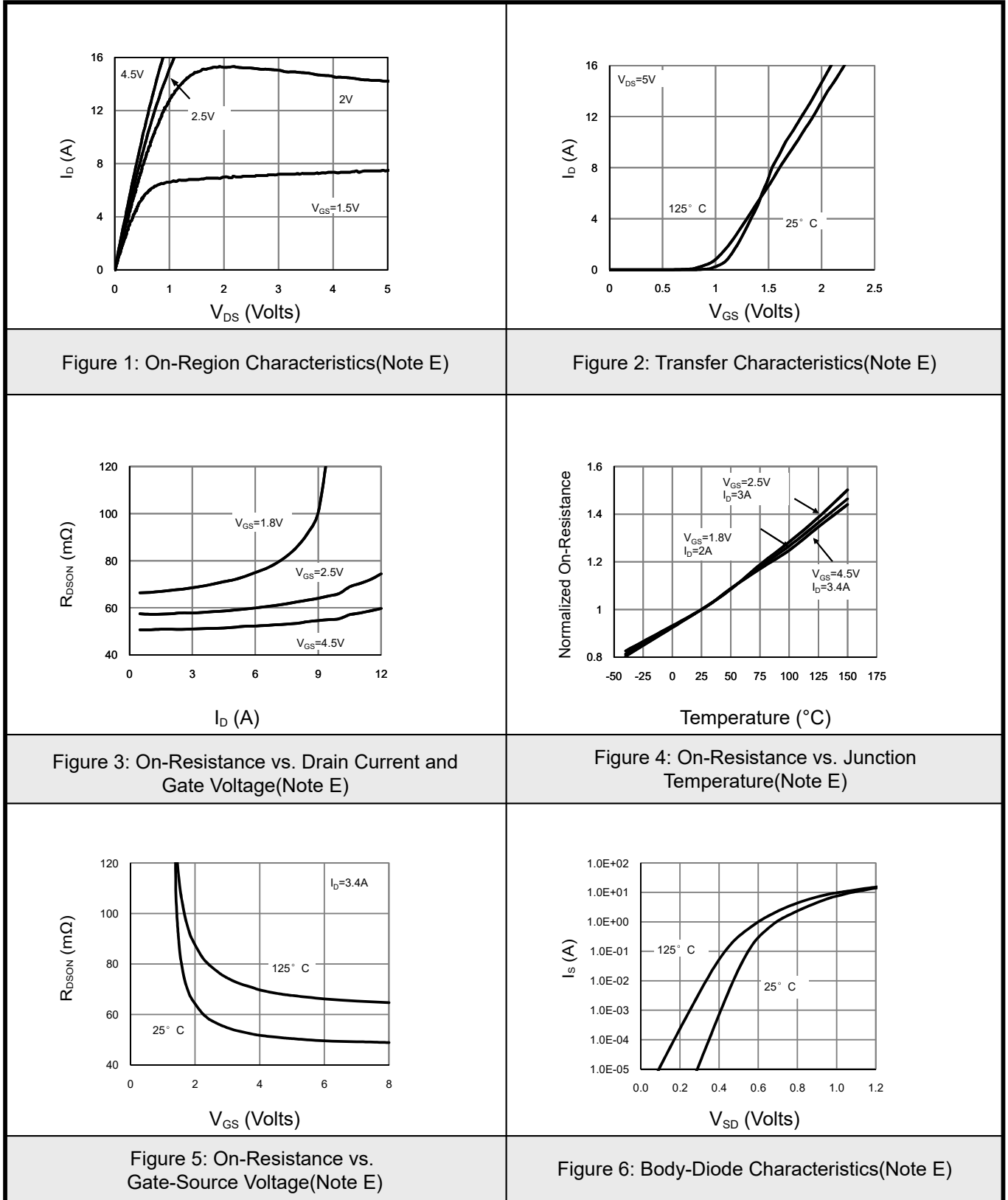
Parameter	Symbol	Conditions	Min	Typ	Max	Units
STATIC PARAMETERS						
Drain-Source Breakdown Voltage	BV _{DSS}	I _D =250μA, V _{GS} =0V	20			V
Zero Gate Voltage Drain Current	I _{DSS}	V _{DS} =20V, V _{GS} =0V			1	μA
Gate-Body leakage current	I _{GSS}	V _{DS} =0V, V _{GS} =±8V			±100	nA
Gate Threshold Voltage	V _{GS(th)}	V _{DS} =V _{GS} , I _D =250μA	0.4	0.7	1	V
On state drain current	I _{D(ON)}	V _{GS} =4.5V, V _{DS} =5V	13			A
Static Drain-Source On-Resistance	R _{DS(ON)}	V _{GS} =4.5V, I _D =3.4A		51	65	mΩ
		V _{GS} =2.5V, I _D =3A		58	75	mΩ
		V _{GS} =1.8V, I _D =2A		68	100	mΩ
Forward Transconductance	g _{FS}	V _{DS} =5V, I _D =3.4A		16		S
Diode Forward Voltage	V _{SD}	I _S =1A, V _{GS} =0V		0.7	1	V
Maximum Body-Diode Continuous Current	I _S				1.5	A
DYNAMIC PARAMETERS						
Input Capacitance	C _{iss}	V _{GS} =0V, V _{DS} =10V, f=1MHz	205	260	320	pF
Output Capacitance	C _{oss}		33	48	63	pF
Reverse Transfer Capacitance	C _{rss}		16	27	38	pF
Gate resistance	R _g	V _{GS} =0V, V _{DS} =0V, f=1MHz	1.5	3	4.5	Ω
SWITCHING PARAMETERS						
Total Gate Charge	Q _{g(4.5V)}	V _{GS} =4.5V, V _{DS} =10V I _D =3.4A		2.9	3.8	nC
Gate Source Charge	Q _{gs}		0.4		nC	
Gate Drain Charge	Q _{gd}		0.6		nC	
Turn-On DelayTime	t _{D(on)}		2.5		ns	
Turn-On Rise Time	t _r	V _{GS} =5V, V _{DS} =10V R _L =2.95Ω, R _{GEN} =3Ω		3.2		ns
Turn-Off DelayTime	t _{D(off)}		21		ns	
Turn-Off Fall Time	t _f		3		ns	
Body Diode Reverse Recovery Time	t _{rr}	I _F =3.4A, dI/dt=100A/μs		14	19	ns
Body Diode Reverse Recovery Charge	Q _{rr}	I _F =3.4A, dI/dt=100A/μs		3.8		nC



- A: The value of $R_{\theta JA}$ is measured with the device mounted on 1in² FR-4 board with 2oz. Copper, in a still air environment with $T_A=25^{\circ}\text{C}$. The value in any given application depends on the user's specific board design.
- B. The power dissipation P_D is based on $T_{J(\text{MAX})}=150^{\circ}\text{C}$, using $\leq 10\text{s}$ junction-to-ambient thermal resistance.
- C. Repetitive rating, pulse width limited by junction temperature $T_{J(\text{MAX})}=150^{\circ}\text{C}$. Ratings are based on low frequency and duty cycles to keep initial $T_J=25^{\circ}\text{C}$.
- D. The $R_{\theta JA}$ is the sum of the thermal impedance from junction to lead $R_{\theta JL}$ and lead to ambient.
- E. The static characteristics in Figures 1 to 6 are obtained using $<300\mu\text{s}$ pulses, duty cycle 0.5% max.
- F. These curves are based on the junction-to-ambient thermal impedance which is measured with the device mounted on 1in² FR-4 board with 2oz. Copper, assuming a maximum junction temperature of $T_{J(\text{MAX})}=150^{\circ}\text{C}$. The SOA curve provides a single pulse rating.

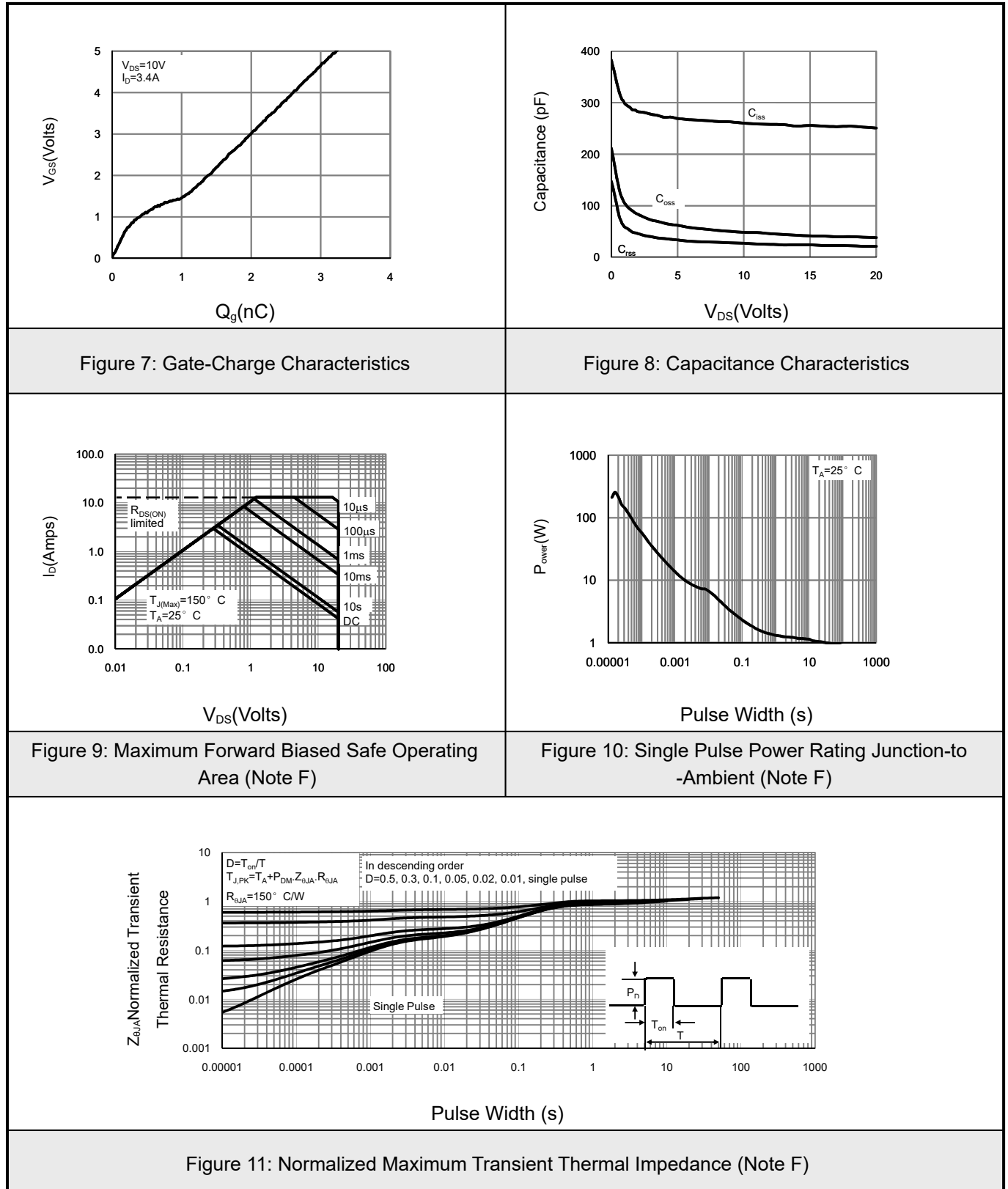


7.1 Typical characteristic





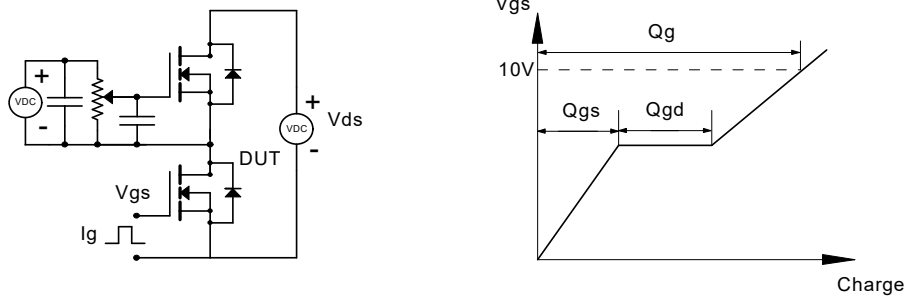
7.2 Typical characteristic



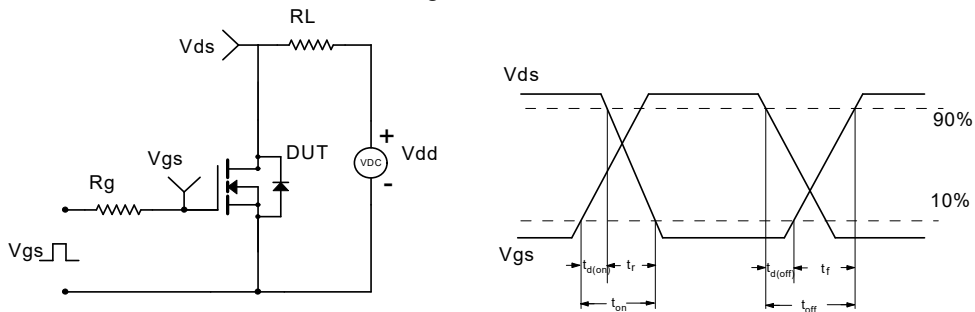


7.3 Typical characteristic

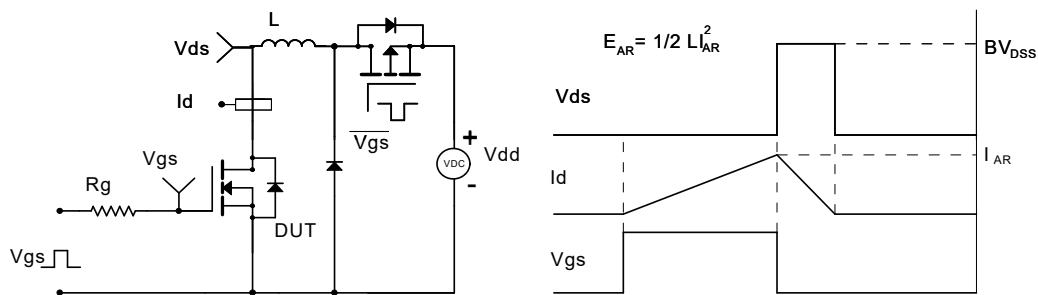
Gate Charge Test Circuit & Waveform



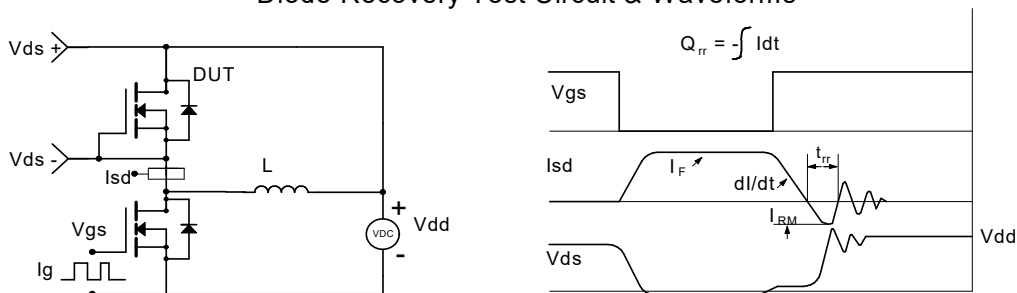
Resistive Switching Test Circuit & Waveforms



Unclamped Inductive Switching (UIS) Test Circuit & Waveforms



Diode Recovery Test Circuit & Waveforms





8. Electrical Characteristic ($T_J=25^\circ\text{C}$ unless otherwise noted)

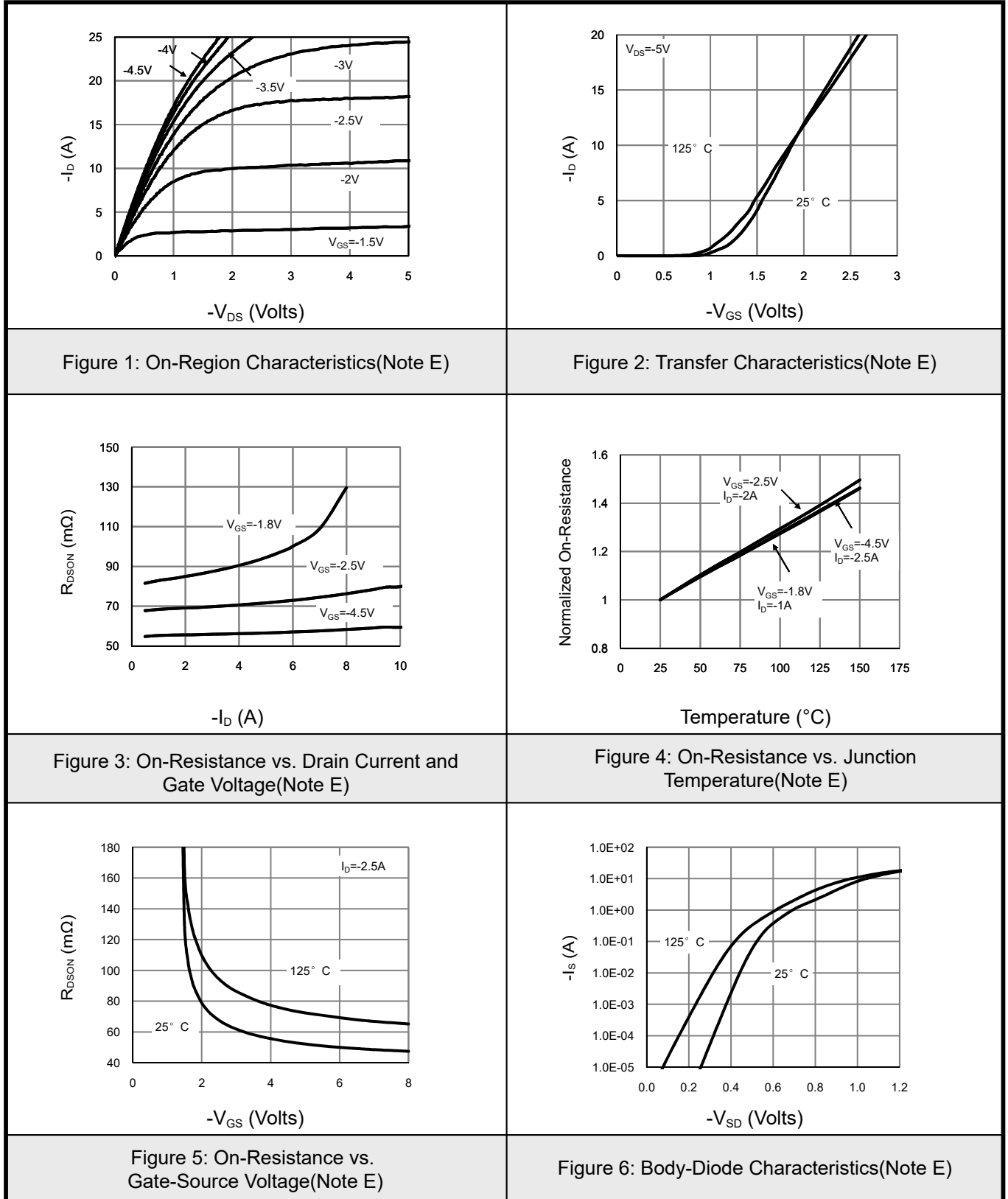
Parameter	Symbol	Conditions	Min	Typ	Max	Units
STATIC PARAMETERS						
Drain-Source Breakdown Voltage	BV_{DSS}	$I_D=-250\mu\text{A}$, $V_{GS}=0\text{V}$	-20			V
Zero Gate Voltage Drain Current	I_{DSS}	$V_{DS}=-20\text{V}$, $V_{GS}=0\text{V}$			-1	μA
		$T_J=55^\circ\text{C}$			-5	
Gate-Body leakage current	I_{GSS}	$V_{DS}=0\text{V}$, $V_{GS}=\pm 8\text{V}$			± 100	nA
Gate Threshold Voltage	$V_{GS(th)}$	$V_{DS}=V_{GS}$, $I_D=-250\mu\text{A}$	-0.4	-0.65	-1	V
On state drain current	$I_{D(ON)}$	$V_{GS}=-4.5\text{V}$, $V_{DS}=-5\text{V}$	-13			A
Static Drain-Source On-Resistance	$R_{DS(ON)}$	$V_{GS}=-4.5\text{V}$, $I_D=-2.5\text{A}$		56	75	$\text{m}\Omega$
		$V_{GS}=-2.5\text{V}$, $I_D=-2\text{A}$		70	95	$\text{m}\Omega$
		$V_{GS}=-1.8\text{V}$, $I_D=-1\text{A}$		85	115	$\text{m}\Omega$
Forward Transconductance	g_{FS}	$V_{DS}=-5\text{V}$, $I_D=-2.5\text{A}$		13		S
Diode Forward Voltage	V_{SD}	$I_S=-1\text{A}$, $V_{GS}=0\text{V}$		-0.7	-1	V
Maximum Body-Diode Continuous Current	I_S				-1.5	A
DYNAMIC PARAMETERS						
Input Capacitance	C_{iss}	$V_{GS}=0\text{V}$, $V_{DS}=-10\text{V}$, $f=1\text{MHz}$	205	560	745	pF
Output Capacitance	C_{oss}		33	80		pF
Reverse Transfer Capacitance	C_{rss}		16	70		pF
Gate resistance	R_g	$V_{GS}=0\text{V}$, $V_{DS}=0\text{V}$, $f=1\text{MHz}$	1.5	15	23	Ω
SWITCHING PARAMETERS						
Total Gate Charge	$Q_g(4.5\text{V})$	$V_{GS}=-4.5\text{V}$, $V_{DS}=-10\text{V}$ $I_D=-2.5\text{A}$		8.5	11	nC
Gate Source Charge	Q_{gs}			1.2		nC
Gate Drain Charge	Q_{gd}			2.1		nC
Turn-On Delay Time	$t_{D(on)}$			7.2		ns
Turn-On Rise Time	t_r	$V_{GS}=-4.5\text{V}$, $V_{DS}=-10\text{V}$ $R_L=4\Omega$, $R_{GEN}=6\Omega$		36		ns
Turn-Off Delay Time	$t_{D(off)}$			53		ns
Turn-Off Fall Time	t_f			56		ns
Body Diode Reverse Recovery Time	t_{rr}	$I_F=-2.5\text{A}$, $dI/dt=100\text{A}/\mu\text{s}$		37	49	ns
Body Diode Reverse Recovery Charge	Q_{rr}	$I_F=-2.5\text{A}$, $dI/dt=100\text{A}/\mu\text{s}$		27		nC



- A. The value of $R_{\theta JA}$ is measured with the device mounted on 1in^2 FR-4 board with 2oz. Copper, in a still air environment with $T_A=25^\circ\text{C}$. The value in any given application depends on the user's specific board design.
- B. The power dissipation P_D is based on $T_{J(\text{MAX})}=150^\circ\text{C}$, using $\leq 10\text{s}$ junction-to-ambient thermal resistance.
- C. Repetitive rating, pulse width limited by junction temperature $T_{J(\text{MAX})}=150^\circ\text{C}$. Ratings are based on low frequency and duty cycles to keep initial $T_J=25^\circ\text{C}$.
- D. The $R_{\theta JA}$ is the sum of the thermal impedance from junction to lead $R_{\theta JL}$ and lead to ambient.
- E. The static characteristics in Figures 1 to 6 are obtained using $<300\mu\text{s}$ pulses, duty cycle 0.5% max.
- F. These curves are based on the junction-to-ambient thermal impedance which is measured with the device mounted on 1in^2 FR-4 board with 2oz. Copper, assuming a maximum junction temperature of $T_{J(\text{MAX})}=150^\circ\text{C}$. The SOA curve provides a single pulse rating.

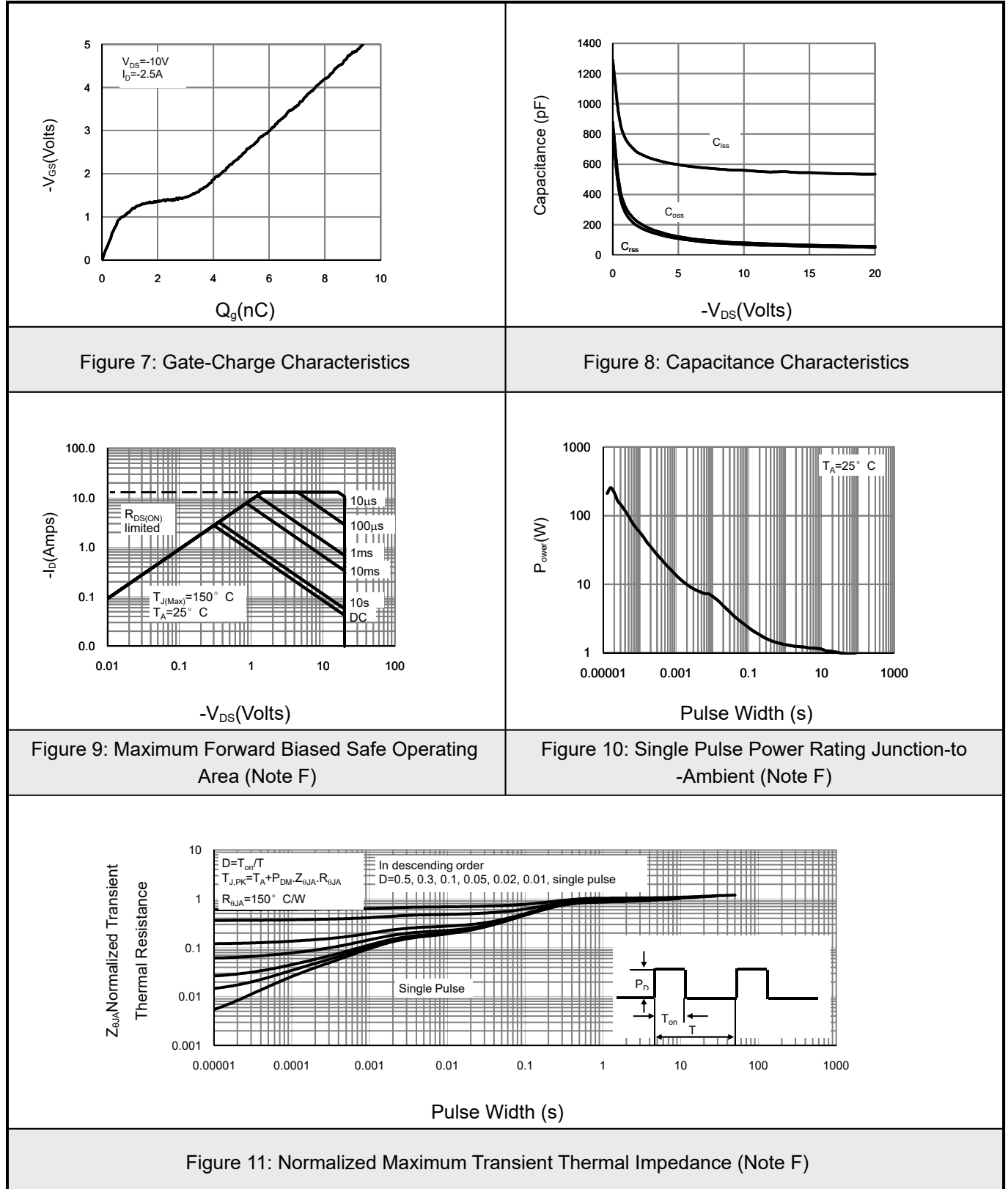


9.1 Typical characteristic





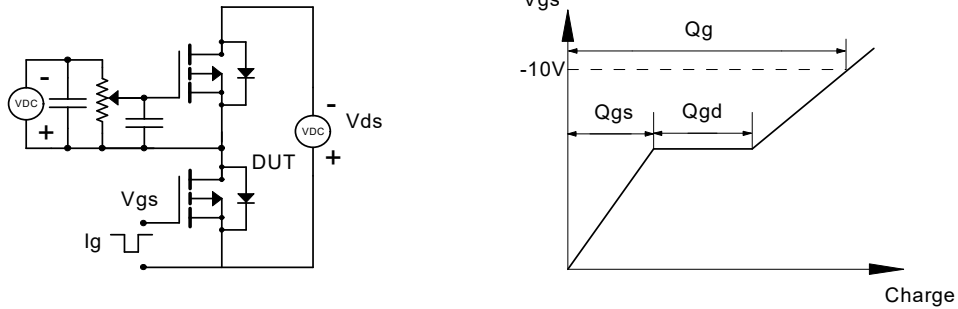
9.2 Typical characteristic



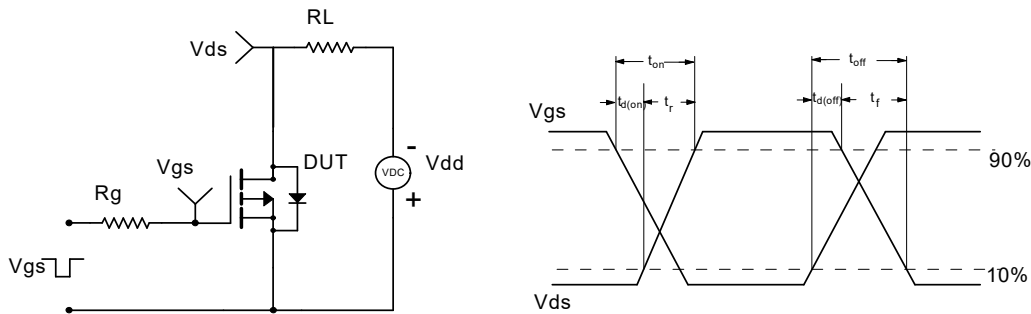


9.3 Typical characteristic

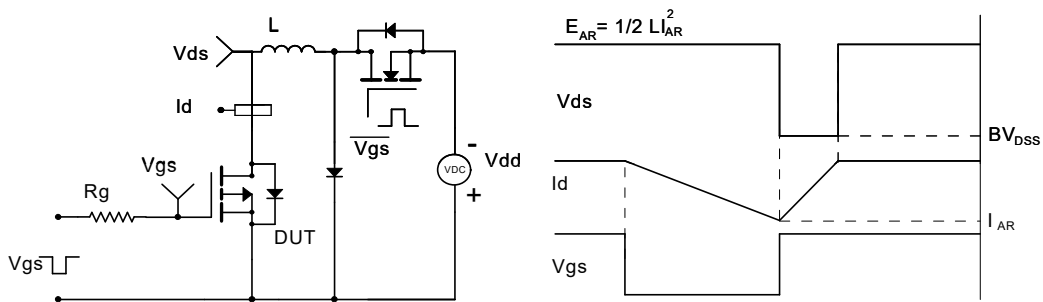
Gate Charge Test Circuit & Waveform



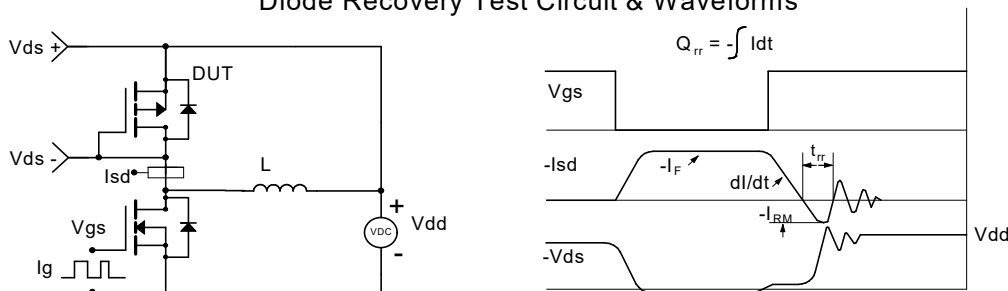
Resistive Switching Test Circuit & Waveforms



Unclamped Inductive Switching (UIS) Test Circuit & Waveforms

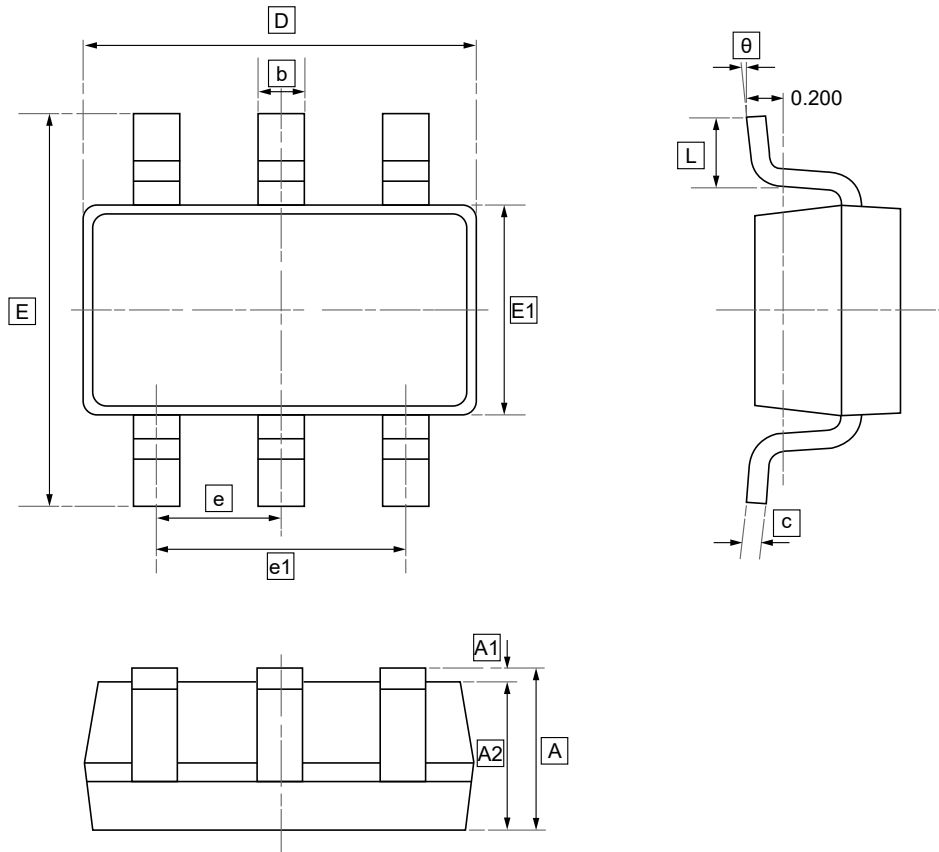


Diode Recovery Test Circuit & Waveforms





10.SOT23-6 Package Outline Dimensions

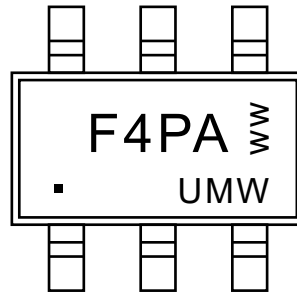


DIMENSIONS (mm are the original dimensions)

Symbol	A	A1	A2	b	c	D	E1	E	e	e1	L	θ
Min	1.050	0.000	1.050	0.300	0.100	2.820	1.500	2.650	0.950	1.800	0.300	0°
Max	1.250	0.100	1.150	0.500	0.200	3.020	1.700	2.950	BSC	2.000	0.600	8°



11. Ordering information



ww: Week Code

Order Code	Package	Base QTY	Delivery Mode
UMW AO6604	SOT23-6	3000	Tape and reel



12.Disclaimer

UMW reserves the right to make changes to all products, specifications. Customers should obtain the latest version of product documentation and verify the completeness and currency of the information before placing an order.

When applying our products, please do not exceed the maximum rated values, as this may affect the reliability of the entire system. Under certain conditions, any semiconductor product may experience faults or failures. Buyers are responsible for adhering to safety standards and implementing safety measures during system design, prototyping, and manufacturing when using our products to prevent potential failure risks that could lead to personal injury or property damage.

Unless explicitly stated in writing, UMW products are not intended for use in medical, life-saving, or life-sustaining applications, nor for any other applications where product failure could result in personal injury or death. If customers use or sell the product for such applications without explicit authorization, they assume all associated risks.

When reselling, applying, or exporting, please comply with export control laws and regulations of China, the United States, the United Kingdom, the European Union, and other relevant countries, regions, and international organizations.

This document and any actions by UMW do not grant any intellectual property rights, whether express or implied, by estoppel or otherwise. The product names and marks mentioned herein may be trademarks of their respective owners.