

Specification

Lithium Polymer Battery Pack (LP502248) 450mAh 3.7V with Protection Circuit Module (PCM)
 This data sheet describes the requirements and properties of lithium polymer rechargeable battery pack manufactured by Cellevia

Mechanical Characteristics

Type number: LP502248
 Designation IEC system: Lithium polymer battery pack
 Length: 48 ± 0.4 mm
 Width: 22 ± 0.4 mm
 Thickness: 5.0 ± 0.2 mm
 Cable: 150 ± 3.0 mm (26AWG UL 1007)
 Weight: appr. 9.0g
 Connector: JST 2.54 male & female connectors

Electrical Specification

Rated capacity: 450mAh min, 470mAh typ.
 Nominal voltage: 3.7V
 Max. operating voltage range: 3.0V to 4.2V
 Charge voltage: 4.2 ± 50 mV
 Initial charge current: Standard charge: 225mA
 Rapid charge: 450mA
 Charging cut-off (A or B)
 A) By time: Standard charge: 7 hours
 Rapid charge: 4 hours
 B) By min. current: 9.0mA
 Max continuous discharge current: 450mA
 Exp. cycle life: >500 cycles >70% of initial cap. (0.5C/0.5C)
 Internal impedance (1kHz): approx 78mOhm
 Cell protection
 Overcharge detection: 4.325 ± 25 mV
 (0.5 to 2.0 sec. delay, resume 4.075 ± 50 mV)
 Overdischarge detection: $3.00V \pm 25$ mV
 (6.25 to 250msec. delay, resume $2.9V \pm 100$ mV)

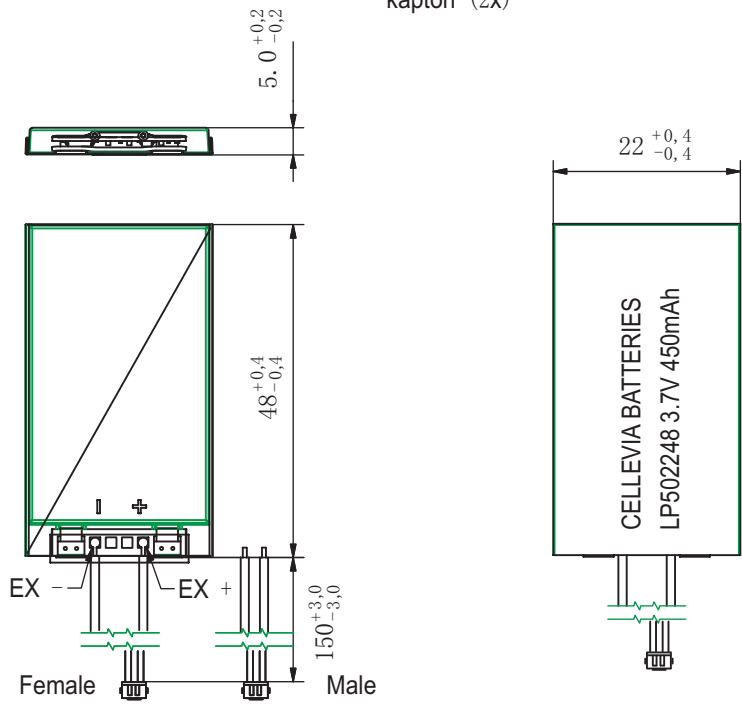
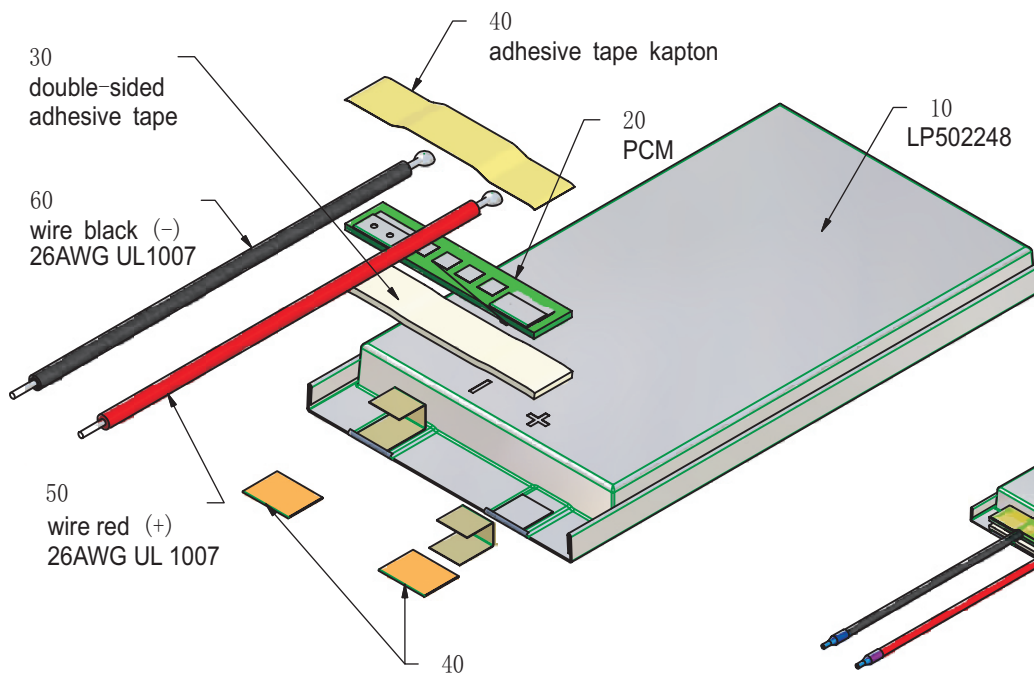
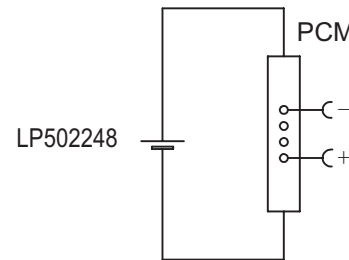
Ambient conditions


Temperature range
 Charge: 0 to +45°C
 Discharge: -20 to +60°C
 Charge retention/Storage: 1 year at -20 to 20°C >70%
 3 month at -20 to 45°C >70%
 1 month at -20 to 60°C >70%

Safety

Please follow handling and Safety Precautions Poliflex.

Circuit diagram



Index	Alteration		Date	Name
Projection:	<input type="checkbox"/>	<input type="checkbox"/>	Diese Mae werden besonders geprüf This dimensions are considered inspectable	
Mae in mm All dimensions in mm	Freimatoleranzen Generaltoleranzen	Erst./Orig. Bearb./Desig. Gepr./Check.	Date 12.08.2013	Name Xie Qingfang Guo Daxia
Als Betriebsgeheimnis anvertraut, alle Rechte vorbehalten.	up to 6 up to 30	· 0,1 · 0,2	Material 6645175 6819	
Proprietary data, company confidential, all rights reserved.	over 30 up to 100	· 0,3		
	over 100	· 0,5	Benennung/Designation LP502248	Zchg. / Dwg. Nr. 3 FD_2566_23
			Origin:	Index