

Connector

AC INLET Series

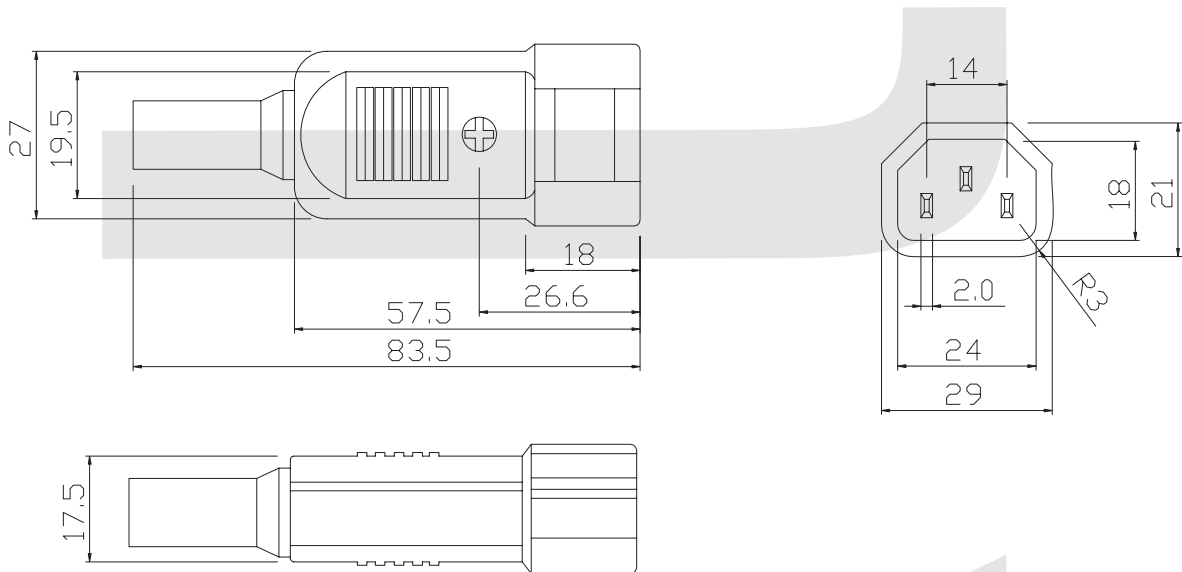
KLS1-ASS-202 AC INLET Series

SPECIFICATION:

Standard: IEC 60320 C8
Voltage rating: 250V AC
Rating: 250VAC 10A (2.5A)
InsulationResistance: 100MΩ 500V DC / 1 minute
Dielectric Strength: 2000V AC / 1 minute
Temperature range: -45°C ~ +105°C

Material:

Housing Material: PBT UL 94V-0 or PA66/PC UL 94V-0
Terminal: Brass ,plating Ni.



ORDER INFORMATION

Product NO.: KLS1- ASS-202

Pos. NO. _____
AC Inlet Type _____