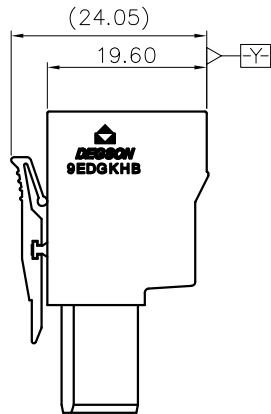
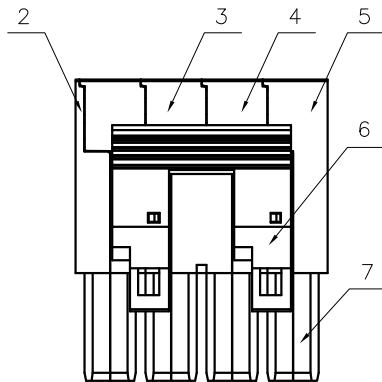
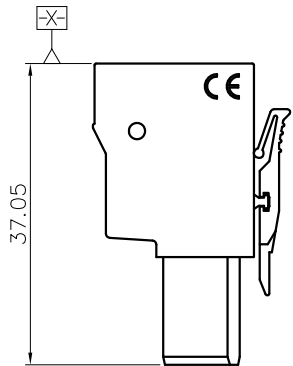
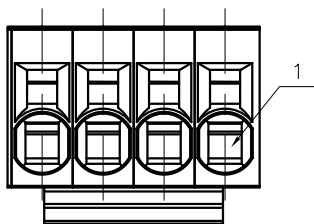


REVISION RECORD				
REV	ECN	DESCRIPTION	DRFT	DATE

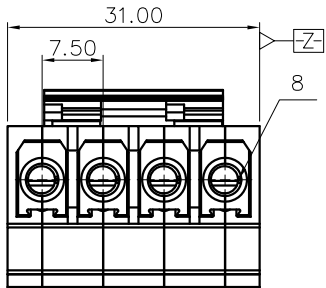


NOTES1:
 UL Standard
 1.Rated voltage/current : 600V / 35A
 2.Withstanding voltage : AC2200V/1Min.
 3.Wire range : 24~8AWG

NOTES2:
 1.Dimension shall be interpreted per ASME Y14.5-2009
 2.Pitch : 7.50mm, Poles : N=04P
 3.Stripping length : 14~15mm
 4.Operating temperature : -40°C~+105°C
 5.Undimensioned tolerances:

Pitch range in mm		Nominal dimension range in mm					±	∩	∇
TO	Over TO	Over TO	Over TO	Over TO	Over TO	0.1/10			
6	10	24	30	60	100	150			
±0.15	±0.20	±0.30	±0.30	±0.50	±0.70	±1.00	±1.30	±2°	

6.RoHS Compliance



9EDGKHB - 7.5 - 04P - 1Y - 00A (H)
 (Series No.) (Pitch) (Poles) (Single Pitch) (Color): 1.(Grey)
 2.(Blue)
 3.(Black)
 4.(Green)
 5.(Orange)
 6.(Red)
 7.(Transparent)
 8.(Yellow)
 9.(White)
 (RoHS)
 00A-(Standard)

ITEM	NAME OF PART	MATERIAL	NOTES
8	Clamp	Copper alloy	Sn Plated
7	Spring	Stainless steel	
6	Housing5	PA66	UL94-V0
5	Housing4	PA66	UL94-V0
4	Housing3	PA66	UL94-V0
3	Housing2	PA66	UL94-V0
2	Housing1	PA66	UL94-V0
1	Spring	Stainless steel	

PART NO.: /		宁波高松电子有限公司 NINGBO DEGSON ELECTRICAL CO., LTD	
APPD:	NAME: 9EDGKHB-7.5-04P-1Y-00A(H)		
CHKD:			
DRFT: MEK 2017.04.20	TITLE: CUSTOMER DRAWING	REV	DO-1
THIRD ANGLE PROJECTION		DRAWING NO.: 9EDGKHB-7.5-C01	SHEET 1/1
MM (INCH) DO NOT SCALE DRAWING		SCALE	1:1