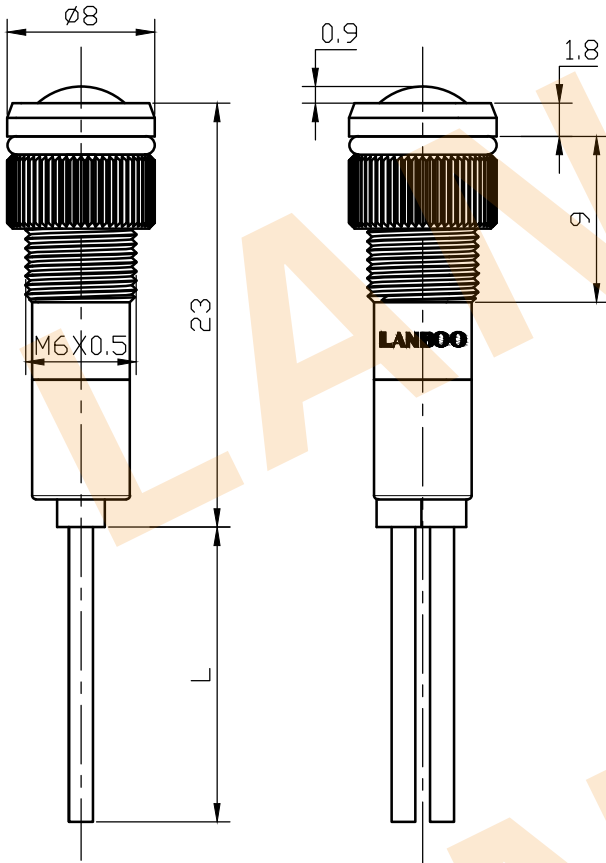
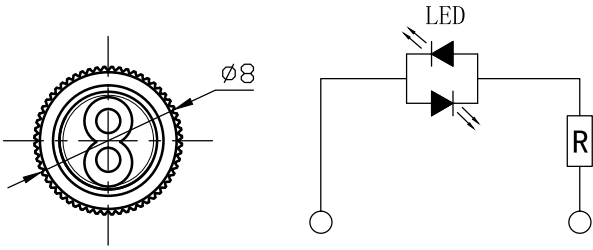


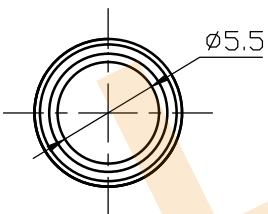
6z-12z

Just the diameter different



technical parameter

1. Clean surface, even luster
2. Rated load of LED: 3-8v, 9-24v, 25-48v, 110V, 220V;
3. Working environment temperature: - 30 °C - + 80 °C
4. Wiring form: direct wiring;
5. Tightening torque: 1-3n. M
6. Material:
 - Transparent cover: PC
 - Shell: chrome plated brass;
 - Base: PBT
 - Conductor: Copper
7. Installation dimension Opening diameter 6.2mm
Panel thickness \leq 7mm.
8. Waterproof grade: ip60
9. Explosion proof grade: ik08
10. LED lamp bead service life: 40000H
11. Insulation resistance: \geq 500M Ω
12. Conductor: 0.15 mm², length L: 150 mm.



	副 PP 日 婦 刺 K 制		稍整 	LANBOO 藍波
	刺 刺 日 啤 顯 福 繁			
	徑牌			
	20			