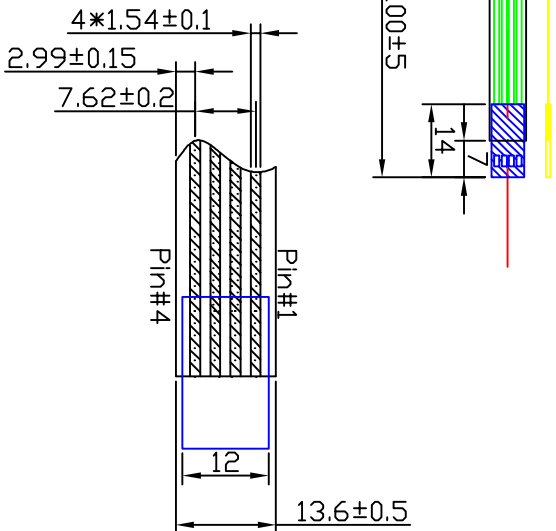


NOTE:  
ALL DIMENSIONS ARE IN MILLIMETERS

P/N	Film Type	Glass Thickness	Finished Part Thickness
4W1500-G	Clear	1.8	2.2±0.2
4W1500-N	Anti-Glare		

Pin#	Assignment
1	Y up
2	X right
3	X left
4	Y down



益震科技股份有限公司 Onetouch Technologies Co., Ltd.	
DATE:	2007.8.3
P/N:	4W1500-G 4W1500-N
MODEL:	4W1500
DRAWER:	Candy APPROVAL: DAVID