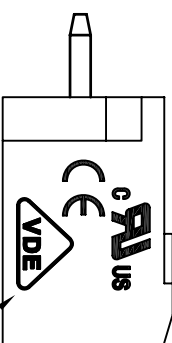
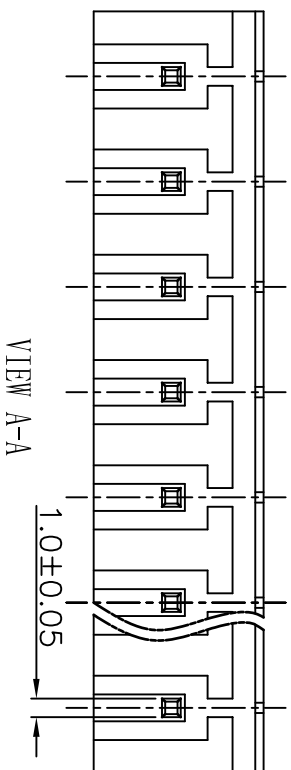
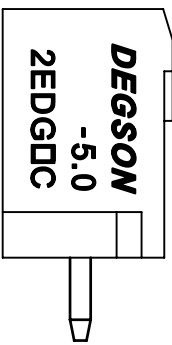
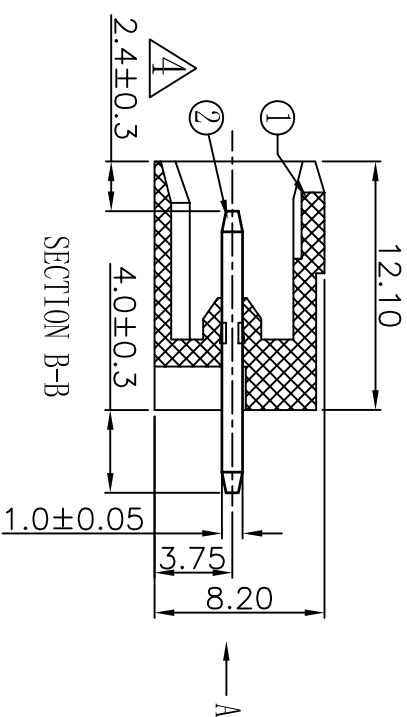
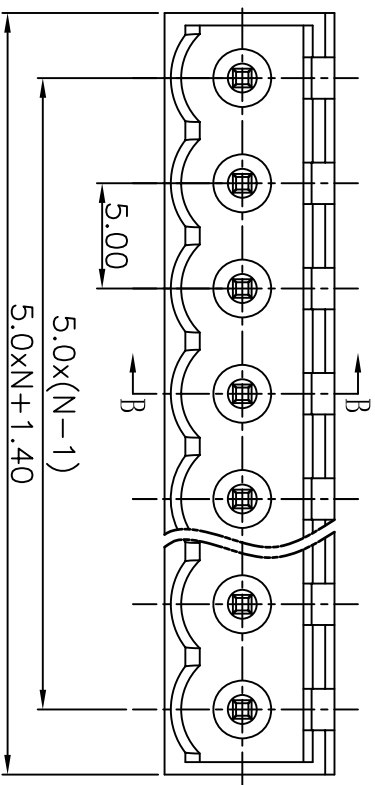


REVISION RECORD			
REV	ECO	DESCRIPTION	DRFT DATE
△		图面更新	C SX 05/05/06
△		增加VDE、CE刻字	Ye J 02/27/08*
△		增加自动化方针	WJM 09/24/08*
△	H-0329	增加标注尺寸	COOO 10/07/10



- Notes:
1. Pitch:5.0mm, Poles:2-24p
  2. Rated voltage/current:UL 300V/15A VDE 320V/20A
  3. Operation temperatures:-40° C~+105° C
  4. Withstanding voltage: AC2000V/1Min
  5. Insulation resistance:5000MΩ/DC1000V
  6. Undimensioned Tolerances:

Pitch range in mm	Nominal dimension in mm	over	over	over	over	over	over
6 to 10	6 to 10	±0.10	±0.15	±0.25	±0.2	±0.3	±0.5
10 to 24	30 to 60	±0.15	±0.25	±0.3	±0.5	±0.7	±1.0
	60 to 150						±0.005/10

ITEM	NAME OF PART	NO. OF PART	Q'TY	MATERIAL	NOTES
2	2EDGV-Pin header	1007B00010(H)	XX	Brass	Automatic assembly
2	2EDGV-Pin header	1007B00030(H)	XX	Brass	Manual assembly
1	2EDGVC-5.0 Housing	1019A0YXXA(H)	1	PA66	UL94V-0

DETACHED LISTS	
MM (INCH)	MM (INCH)
0.05 ±	±
0.10 ±	±
0.20 ±	±
0.30 ±	±
0.40 ±	±
0.50 ±	±
0.60 ±	±
0.70 ±	±
0.80 ±	±
0.90 ±	±
1.00 ±	±

DATE	DATE	DATE	DATE
07/24/04			

NAME	SCALE	SHEET	OF
DEGSON 宁波高正电子有限公司 DEGSON ELECTRONICS CO., LTD	1:1	1	1

DRAWING NO.	REV	SIZE
2EDGVC-5.0-XXP-1Y-00A(H)	E01	A3