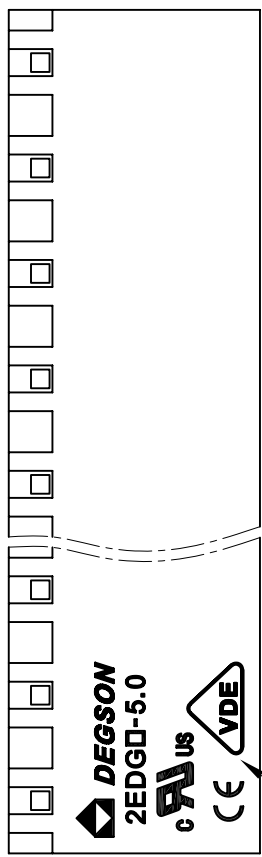
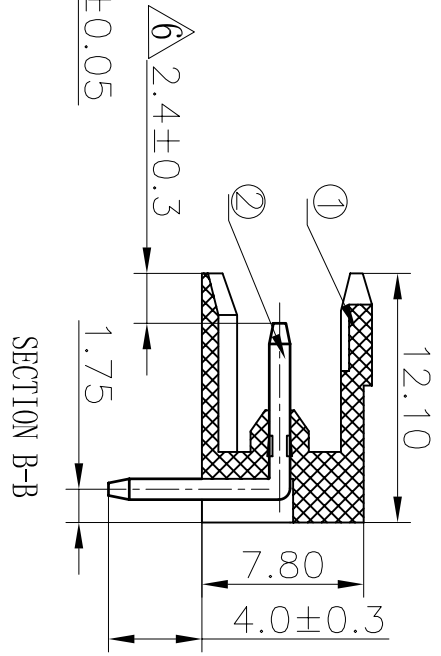
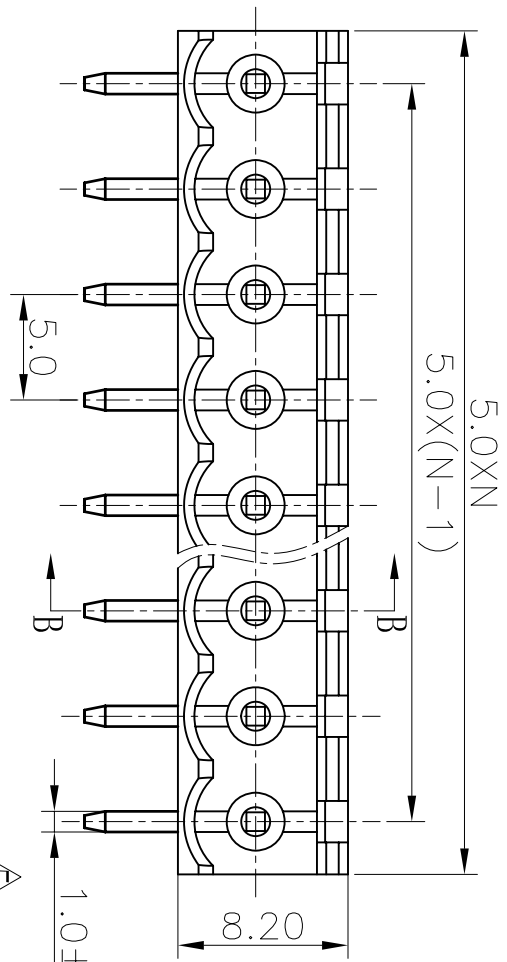


REV	ECO	DESCRIPTION	DRPT	DATE
1		4.5±0.1变更到4.0±0.2	DZJ	06/14/05
2		Drawing emend	CSX	01/10/06
3		增加刻字	Yej	02/29/08
4		增加自动化方针	WLM	09/23/08
5		修改刻字位置	WLM	12/13/08
6	10-022	增加标注尺寸	COCC	09/30/10



- Notes:
- Pitch:5.0mm, Poles:2-24p
 - Rated voltage/current:UL 300V/15A
VDE 320V/20A
 - Operation temperatures:-40° C~+105° C
 - Withstanding voltage: AC2000V/1min
 - Insulation resistance:5000MΩ/DC1000V
 - Undimensioned Tolerances:

Pitch range in mm	Nominal dimension in mm	over 6 to 10	over 10 to 24	over 30 to 60	over 60 to 100	over 100 to 150	over 150 to 200
±0.10	±0.15	±0.25	±0.2	±0.3	±0.5	±0.7	±1.0
to 6	to 10	to 24	to 30	to 60	to 100	to 150	to 200

ITEM	NAME OF PART	NO. OF PART	Q'TY	MATERIAL	NOTES
2	2EDGR-Pin header	1008B00120 (H)	XX	Brass	Automatic assembly
2	2EDGR (A)-Pin header	1008B00040 (H)	XX	Brass	Manual assembly
1	2EDGR-5.0-Housing	1018A01XXA (H)	1	PA66	UL94V-0