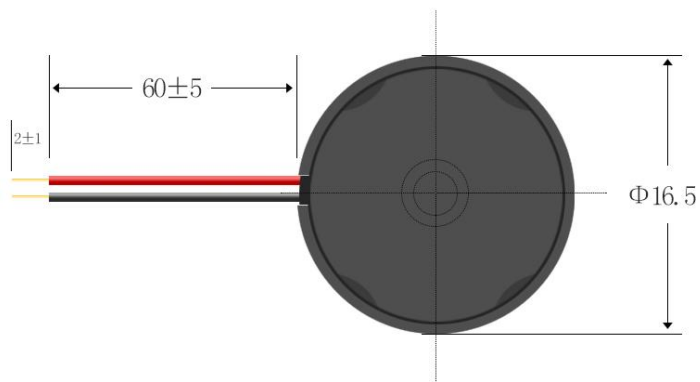


SPECIFICATIONS

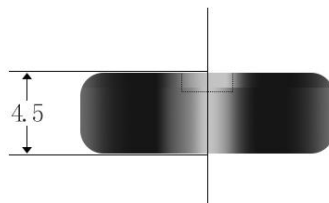
XHXDZ-1715-4A

Max.Allowable Voltage	Vp-p	30
Resonant Frequency(F0)	KHz	6.3 ± 0.5
Sound Pressure Level	dB	≥ 80 dB
Rated Current	mA	≤ 2 mA
Capacitance	PF	$15000 \pm 30\%$
Operating Temperature Range	°C	-20~+80
Housing Material	ABS	
Weight	g	1

Top view



Side view



All dimensions are in mm

OUTLINE DRAWING:

单位: mm ± 0.5